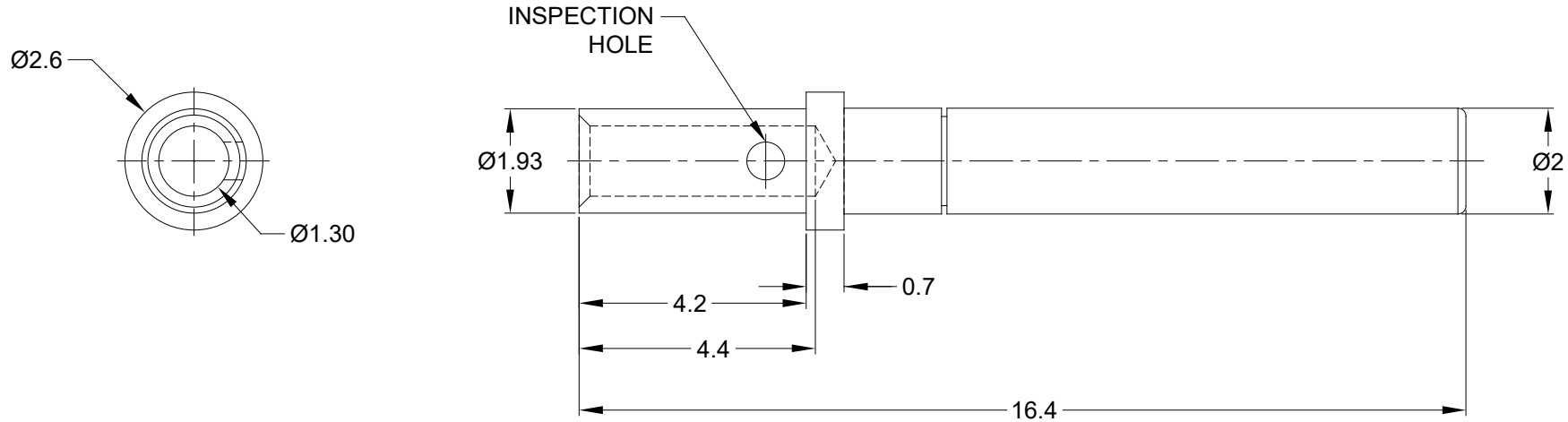


REVISIONS					
REV	ECO	DESCRIPTION	DATE	BY	APPR
A7	-	WIRE RANGE 20AWG WAS 18-20AWG	12FEB19	JAH	DH



NOTES: UNLESS OTHERWISE SPECIFIED

- MATERIAL: COPPER ALLOY
- PLATING: SEE PART NUMBER CHART
- CONTACT SIZE: 20
- SPECIFICATIONS:
  - CURRENT RATING: 7.5 AMPS
  - CONTACT MILLIVOLT DROP: 60 MILLIVOLT DROP @ 7.5 AMP TEST CURRENT.
  - RoHS COMPLIANT
- RECOMMENDED WIRE RANGE: 20 AWG
- AVAILABLE HAND CRIMPER: CA-5D12
- ALL DIMENSIONS ARE FOR REFERENCE USE ONLY

PART NUMBER CHART	
PLATING	PART NUMBER
GOLD	AT62-201-2031
NICKEL	AT62-201-20141

	SEE PART NUMBER CHART	
	PART NUMBER	DESCRIPTION
		ITEM

QUANTITY	MATERIALS LIST			
<small>UNLESS OTHERWISE SPECIFIED</small> 1) All dimensions are in metric(mm). 2) Tolerances are as follows: 1 PL DEC ±0.30 2 PL DEC ±0.15 3 PL DEC ±0.08 Fractions ±1/64 Angles ±1° 3) Note reference =	SIGNATURES	DATE	<h1>Amphenol</h1> Sine Systems - www.amphenol-sine.com 44724 Morley Drive Clinton Township, MI 48036	
	DRAWN: Brook	03JAN19		
	CHECKED: Orion	03JAN19		
	ENGINEER:			
MATERIAL SPECIFICATIONS:	APPROVAL: Tommy	03JAN19	CONTACT, SOCKET, SOLID, SIZE 20, 20 AWG, ATM SERIES	
PROCESS SPECIFICATIONS:	CUSTOMER:			
NEXT ASSY:	<small>THIS DRAWING IS SUPPLIED FOR INFORMATION ONLY. DESIGN FEATURES, SPECIFICATIONS AND PERFORMANCE DATA SHOWN HEREON ARE THE PROPERTY OF THE AMPHENOL CORPORATION. NO RIGHTS OF REPRODUCTION ARE IMPLIED. ALL DIMENSIONS ARE SUBJECT TO NORMAL MANUFACTURING VARIATIONS.</small>			
	SIZE	TYPE	DWG NO:	REVISION
	A	C-	AT62-201-20XXX	A7
	SCALE: NONE			SHEET 1 OF 1