

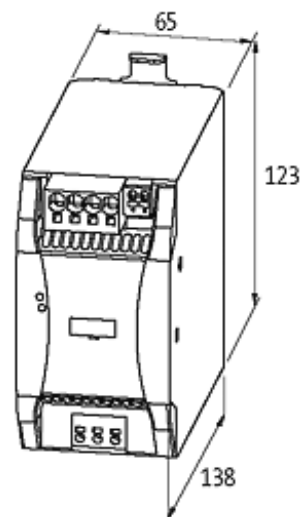
EMPARRO CAP BUFFER MODULE

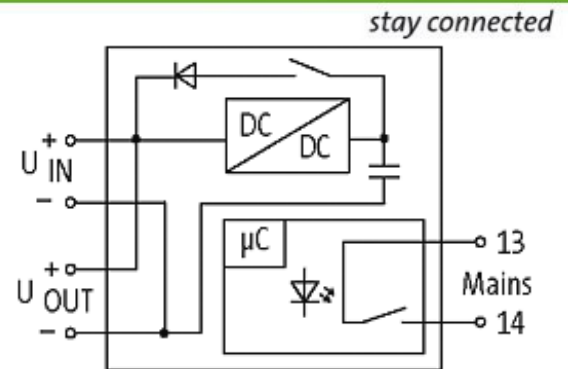
IN: 24VDC OUT: 24VDC/20A for max. 1A/40s

INPUT: 24 V DC (SELV/PELV)

OUTPUT: max. 20 A

Buffer time: 1.0 s

[Link to Product](#)**Illustration**



Product may differ from Image

Approvals



Input

Input voltage	21.6...26.4 V DC
Input current	20 A
Inrush current	max. 25 A
Loading time	max. 75 s
Loading current	max. 3 A

General data

Standards	EN 61000-6-2, EN 61000-6-4
Dimensions H x W x D	123x65x138 mm
Mounting method	DIN-rail mountable TH35-7.5/TH35-15 (EN 60715)
Efficiency	min. 90%
Temperature range	-40...+60 °C (storage temperature -40...+60 °C)

Output

Output voltage	25.5...19 V DC $\pm 2\%$
Output current	max. 20 A
Current limit	65 A
Buffer time	1.0 s (20 A); 40 s (1 A)

Commercial data

country of origin	DE
customs tariff number	85322900
EAN	4048879436700
eClass	27049190
Packaging unit	1