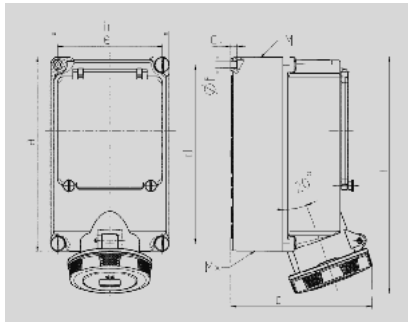


Wall mounted receptacle - Part no. 7170


- screw terminals
- SoftCONTACT
- fused with RCD (0.03A)
- other leakage current ratings on request

Technical information

Ampere	63 A
Poles	5 p
Voltage	400V
Earth position	6 h
Hertz	50-60 Hz
Connection technology	Screw terminals
Contact	standard
Protection type	IP 67



Drawing 1 MB 619	Amp. Poles	63	
		4	5
Dim. in mm	a	264	264
	b	163	163
	c	191	191
	d	240	240
	e	140	140
	f	8,1	8,1
	g	8	8
	h	319	319
	M	40	40
	M*	2x40	2x40
Max. cable diam. (mm)		27	27
Terminal for cond. cross section (mm ²) min.-max.		6	6
		-25	-25