

Crystal Clock Oscillator

2560 Series

Low Power Supply Voltage-driving Type

Model name

2560TK

Application

- For notebook PC, mobile information terminal, and PC card

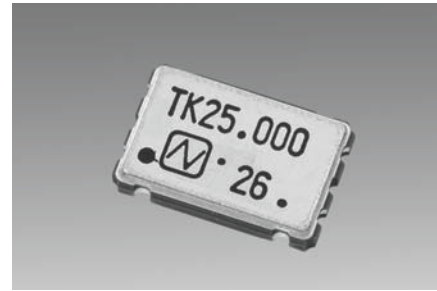
Features

- This surface-mount crystal clock oscillator is ultra-compact, light, and leadless. Ideal for high-density mounting.
- Supports a frequency range of 1.8 to 67 MHz.
- Automatic mounting by taping and IR reflow (lead-free) are possible.
- Lead-free.

Pb Free

RoHS Compliant
Directive 2002/95/EC

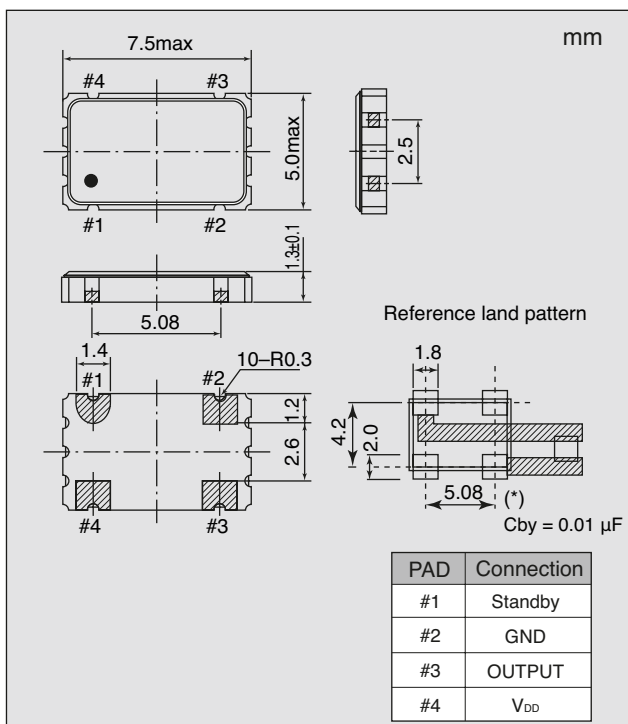
Absolute maximum rating
Power supply voltage (V_{DD}) -0.5 to +7.0 V
Storage temperature range -55 to +125 °C



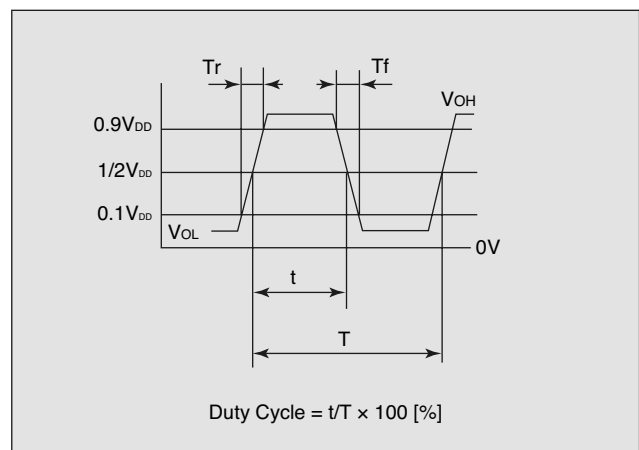
Specifications

Item	Model	2560TK		
Output level		C-MOS		
Frequency range	(MHz)	$1.8 \leq F \leq 32$	$32 < F \leq 50$	$50 \leq F \leq 67$
Operating temperature range	(°C)	-10 to +70		
Frequency stability	($\times 10^{-6}$)	± 100		
Power supply voltage [V_{DD}]	(V)	$+3.3 \pm 0.3$		
Current consumption (+3.3 V, 25 °C) max	(mA)	10	15	18
V_{OL} max/ V_{OH} min	(V)	$0.1 V_{DD}/0.9 V_{DD}$		
Tr max/Tf max	(ns)	6/6		
Duty Cycle min. to max.	(%)	45 to 55		
Load (C_L) max	(pF)	15		
Oscillation start time max		Available (tristate)		
Number for specifying an order		NSA3285C		

Dimensions



Output Waveform <C-MOS>



Standby Function

#1 Input	#3 Input
Level H (0.7 V_{DD} min.) or OPEN is selected.	Oscillation output ON
Level L (0.3 V_{DD} max.) is selected.	High impedance

How to Specify an Order

When ordering our products, specify them with an "Ordering Code" that consists of the following:

Model name - Frequency (up to 9 digits) M - Number for specifying an order

If you have any queries concerning our standard frequencies and numbers for specifying orders, please contact our sales representatives or visit our homepage (<http://www.ndk.com/>).

Example 1: When ordering a product with model name: 2560TK, frequency: 20 MHz, frequency stability: $\pm 100 \times 10^{-6}$ and power supply voltage: 3.3 V
Ordering Code: 2560TK - 20.000000M - NSA3285C