

Cylindrical Type

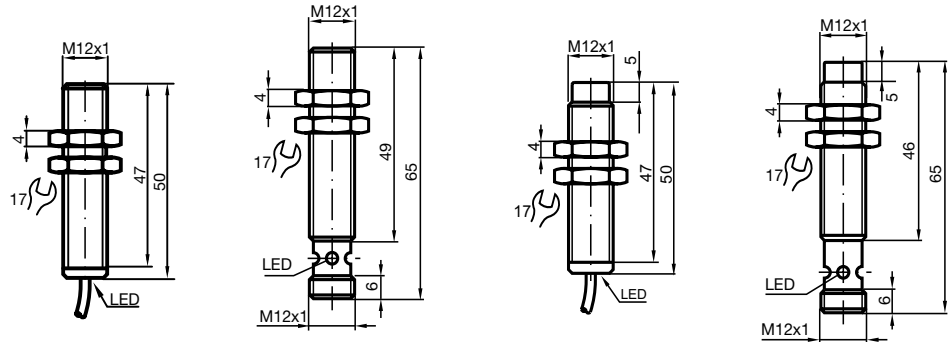
DC

3-wire

For use in direct- and alternating-field welding systems

2 mm embeddable

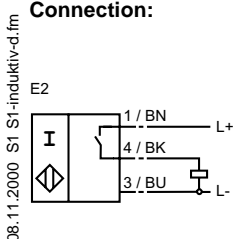
4 mm not embeddable



CE

Rated operating distance s_n	2 mm	2 mm	4 mm	4 mm
Installation	embeddable	embeddable	not embeddable	not embeddable
PNP Make function	NBB2-12GM50-E2-C	NBB2-12GM50-E2-C-V1	NBN4-12GM50-E2-C	NBN4-12GM50-E2-C-V1
Assured operating distance s_a	0 ... 1,62 mm	0 ... 1,62 mm	0 ... 3,24 mm	0 ... 3,24 mm
Reduction factor r_{V2A}	0,7	0,7	0,7	0,7
Reduction factor r_{AI}	0,3	0,3	0,4	0,4
Reduction factor r_{Cu}	0,2	0,2	0,3	0,3
Operating voltage U_B	10 ... 30 V	10 ... 30 V	10 ... 30 V	10 ... 30 V
Operating current I_L	0 ... 200 mA	0 ... 200 mA	0 ... 200 mA	0 ... 200 mA
Switching frequency f	1500 Hz	1500 Hz	1200 Hz	1200 Hz
No-load supply current I_0	15 mA	15 mA	15 mA	15 mA
Voltage drop U_d	3 V	3 V	3 V	3 V
Alternating magnetic field B	200 mT	200 mT	200 mT	200 mT
Short circuit protection	pulsing	pulsing	pulsing	pulsing
Polarity reversal protected	yes	yes	yes	yes
Indication of the switching state	LED, yellow	ring LED, yellow	LED, yellow	ring LED, yellow
Standard conformity	EN 60947-5-2	EN 60947-5-2	EN 60947-5-2	EN 60947-5-2
Ambient temperature	-25 ... 70 °C	-25 ... 70 °C	-25 ... 70 °C	-25 ... 70 °C
Protection degree	IP67	IP67	IP67	IP67
Connection type	2 m, PVC-cable	V1-connector	2 m, PVC-cable	V1-connector
Core cross-section	0,14 mm ²	-	0,14 mm ²	-
Housing material	brass, teflon coated	brass, teflon coated	brass, teflon coated	brass, teflon coated
Sensing face	PPS	PPS	PPS	PPS

Connection:



inductive proximity switches