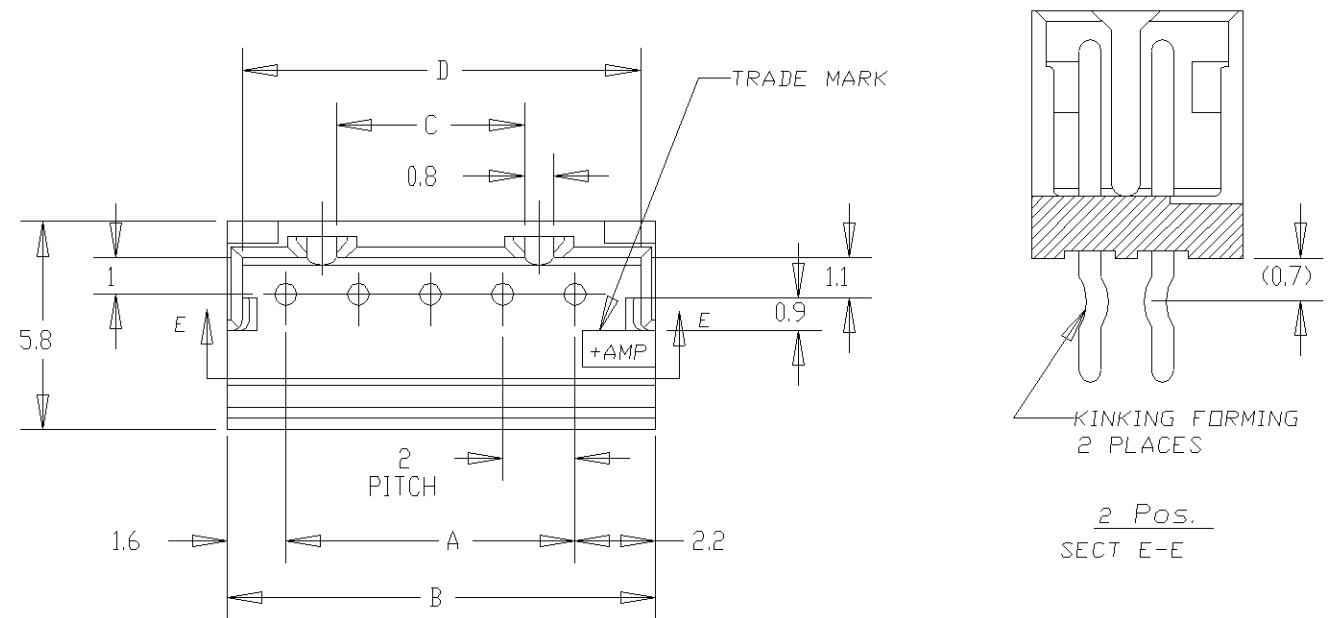
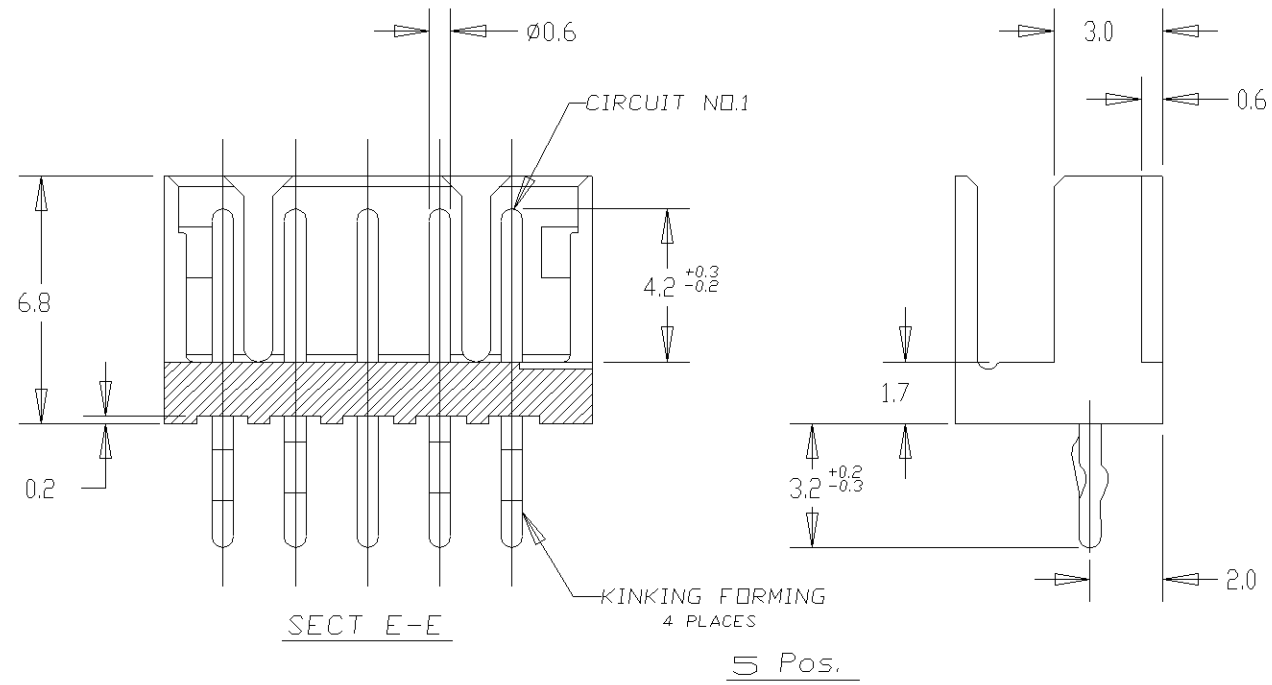
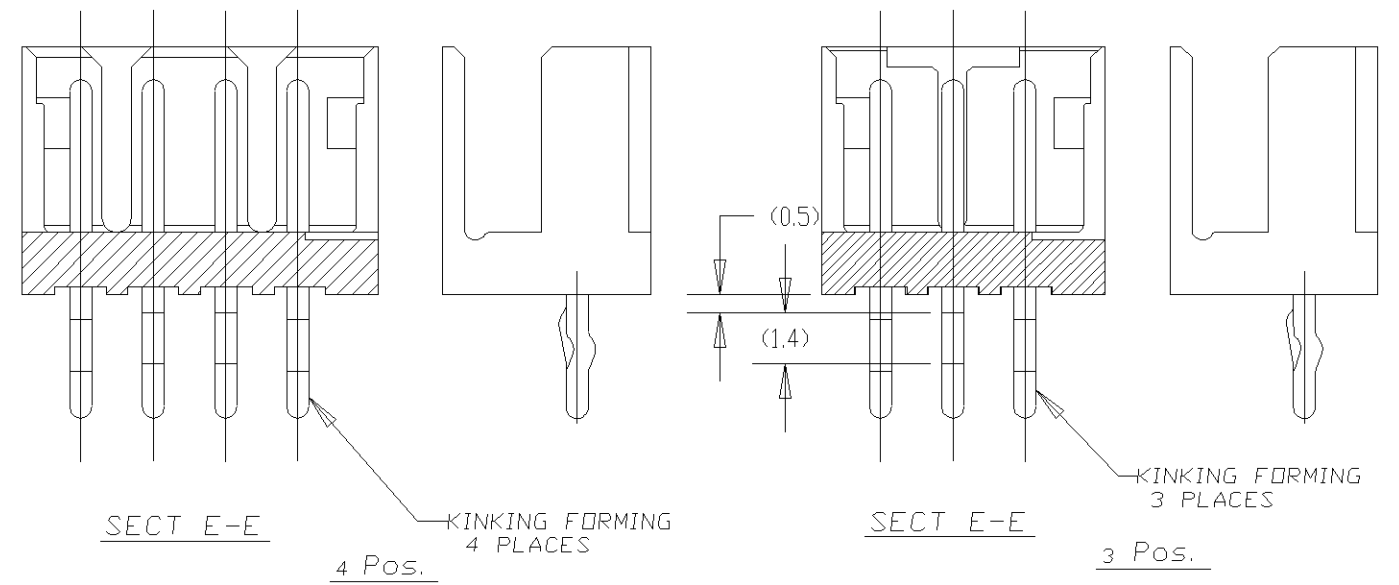


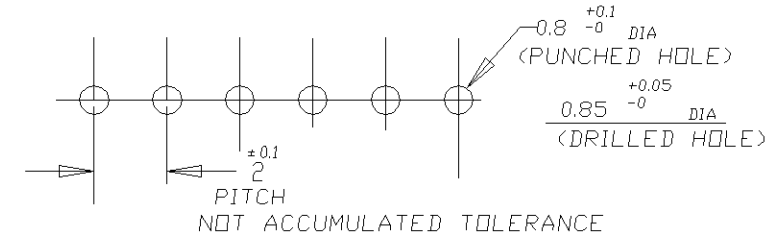
LOC	DIST	REVISIONS					
ES	00	P	LTR	DESCRIPTION	DATE	DWN	APVD
		A1	REVISED	ECR-08-022283	11SEP08	C.Z	S.Y



NOTES:
 △ MATERIAL: HOUSING - 66 NYLON (UL94V-0)
 POST - TIN BRASS
 △ 7-292132-3 WAS OBSOLETE.



	7-292132-5	5-292132-5	3-292132-5	1-292132-5	15	28	31.8	25.2	31.0
	7-▲-4	5-▲-4	3-▲-4	1-▲-4	14	26	29.8	23.2	29.0
	7-△-3	5-▲-3	3-▲-3	1-▲-3	13	24	27.8	21.2	27.0
	7-▲-2	5-▲-2	3-▲-2	1-▲-2	12	22	25.8	19.2	25.0
	7-▲-1	5-▲-1	3-▲-1	1-▲-1	11	20	23.8	17.2	23.0
	7-▲-0	5-▲-0	3-▲-0	1-▲-0	10	18	21.8	15.2	21.0
	6-▲-9	4-▲-9	2-▲-9	▲-9	9	16	19.8	13.2	19.0
	6-▲-8	4-▲-8	2-▲-8	▲-8	8	14	17.8	11.2	17.0
	6-▲-7	4-▲-7	2-▲-7	▲-7	7	12	15.8	9.2	15.0
8-292132-6	6-▲-6	4-▲-6	2-▲-6	▲-6	6	10	13.8	7.2	13.0
	6-▲-5	4-▲-5	2-▲-5	▲-5	5	8	11.8	5.2	11.0
	6-▲-4	4-▲-4	2-▲-4	▲-4	4	6	9.8	3.2	9.0
	6-▲-3	4-▲-3	2-▲-3	▲-3	3	4	7.8	—	7.0
	6-292132-2	4-292132-2	2-292132-2	292132-2	2	2	5.8	—	5.0
RED	BLACK	YELLOW	BLUE	NATURAL	Pos.	A	B	C	D
	PART NO.								



RECOMMENDABLE P.C.BOARD LAYOUT
 (PCB THK:0.8-1.6)

TOLERANCES UNLESS OTHERWISE SPECIFIED:

10 ≥ *	: ±0.2
30 ≥ * > 10	: ±0.25
100 ≥ * > 30	: ±0.3
ANGEL	: ±3°

THIS DRAWING IS A CONTROLLED DOCUMENT.

DWN: J.JIANG 23JAN03
 CHK: S.YAO 23JAN03
 APVD: T.SASAKI 23JAN03

Tyco Electronics Tyco Electronics Corporation
 Shanghai, P.R.China, 200233

NAME: POST HEADER ASS'Y (BOX-V DIP)
 (AMP CT CONNECTOR 2mm PITCH)

PRODUCT SPEC: 108-60016
 APPLICATION SPEC: —

WEIGHT: —

CUSTOMER DRAWING

SIZE: A3 CAGE CODE: 00779 DRAWING NO: C=292132 RESTRICTED TO: —

SCALE: 5:1 SHEET: 1 OF 2 REV: A1

4

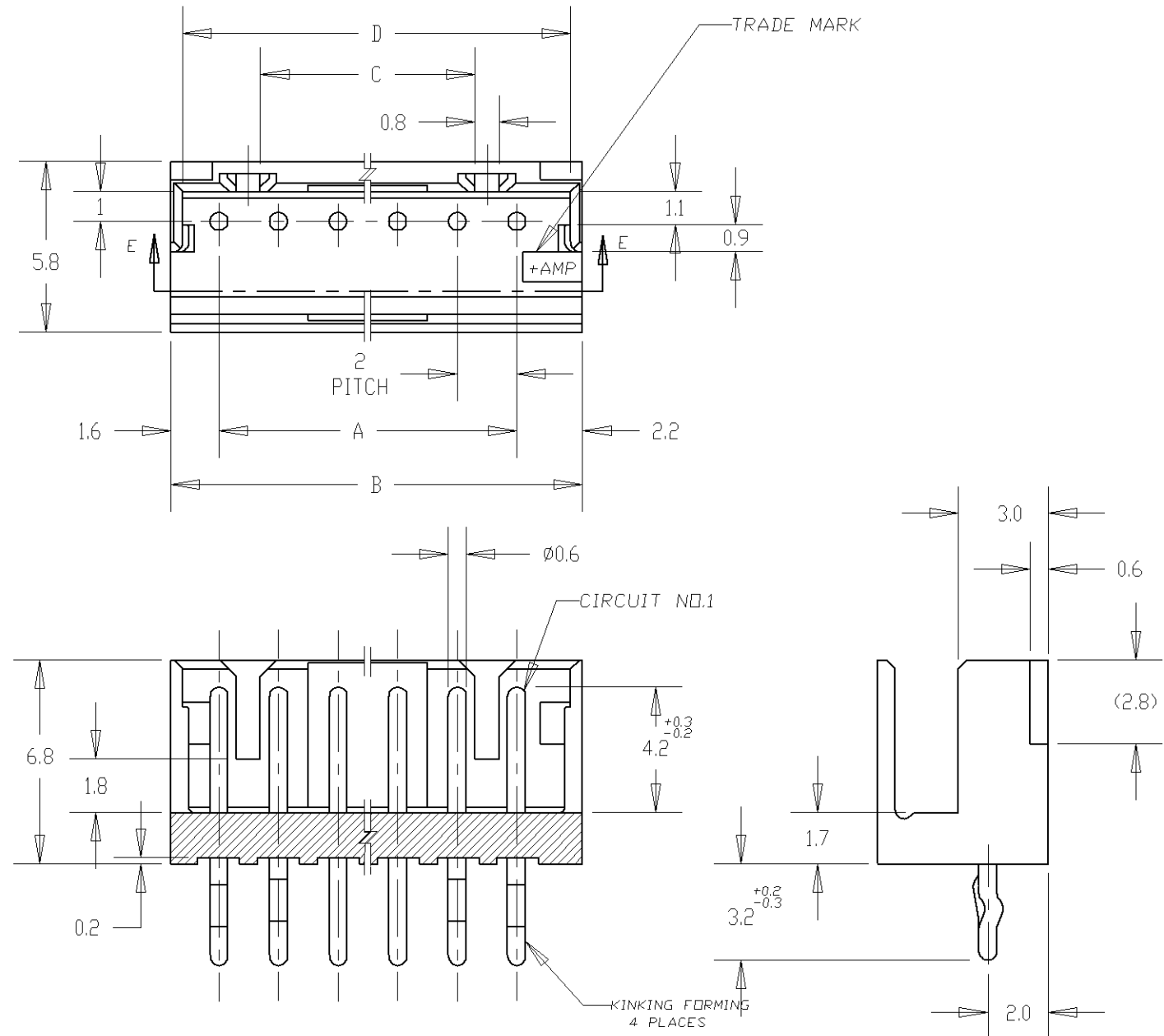
3

2

1

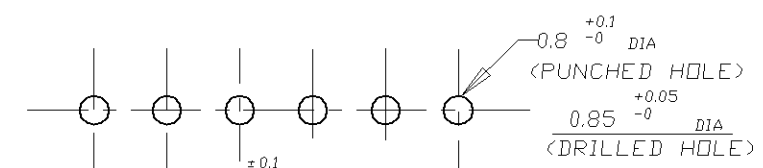
THIS DRAWING IS UNPUBLISHED. RELEASED FOR PUBLICATION
 © COPYRIGHT BY TYCO ELECTRONICS CORPORATION. ALL RIGHTS RESERVED.

LOC	DIST	REVISIONS					
ES	00	P	LTR	DESCRIPTION	DATE	DWN	APVD
				SEE SHEET 1			



NOTES;
 △ MATERIAL: HOUSING - 66 NYLON (UL94V-0)
 POST - TIN BRASS

	7-292132-5	5-292132-5	3-292132-5	1-292132-5	15	28	31.8	25.2	31.0
	7- -4	5- -4	3- -4	1- -4	14	26	29.8	23.2	29.0
	7- -3	5- -3	3- -3	1- -3	13	24	27.8	21.2	27.0
	7- △ -2	5- -2	3- -2	1- -2	12	22	25.8	19.2	25.0
	7- -1	5- -1	3- -1	1- -1	11	20	23.8	17.2	23.0
	7- -0	5- -0	3- -0	1- -0	10	18	21.8	15.2	21.0
	6- -9	4- -9	2- -9		9	16	19.8	13.2	19.0
	6- -8	4- -8	2- -8		8	14	17.8	11.2	17.0
	6- -7	4- -7	2- -7		7	12	15.8	9.2	15.0
8-292132-6	6- -6	4- -6	2- -6		6	10	13.8	7.2	13.0
	6- -5	4- -5	2- -5		(SEE SHEET 1 OF 2)				
	6- -4	4- -4	2- -4						
	6- -3	4- -3	2- -3						
	6-292132-2	4-292132-2	2-292132-2	292132-2	Pos.	A	B	C	D



NOT ACCUMULATED TOLERANCE
 RECOMMENDABLE P.C.BOARD LAYOUT
 (PCB THK:0.8-1.6)

THIS DRAWING IS A CONTROLLED DOCUMENT.

DIMENSIONS: mm	TOLERANCES UNLESS OTHERWISE SPECIFIED: 0 PLC ± - 1 PLC ± - 2 PLC ± - 3 PLC ± - 4 PLC ± - ANGLES ± -	DWN J.JIANG 23JAN03 CHK S.YAO 23JAN03 APVD T.SASAKI 23JAN03	Tyco Electronics Corporation Shanghai, P.R.China, 200233	
MATERIAL	FINISH	PRODUCT SPEC APPLICATION SPEC WEIGHT	NAME POST HEADER ASS'Y (BOX-V DIP) (AMP CT CONNECTOR 2mm PITCH)	
1	1	CUSTOMER DRAWING	SIZE A3	CAGE CODE 00779
			DRAWING NO. C-292132	RESTRICTED TO
			SCALE 5:1	SHEET 2 OF 2
				REV A1