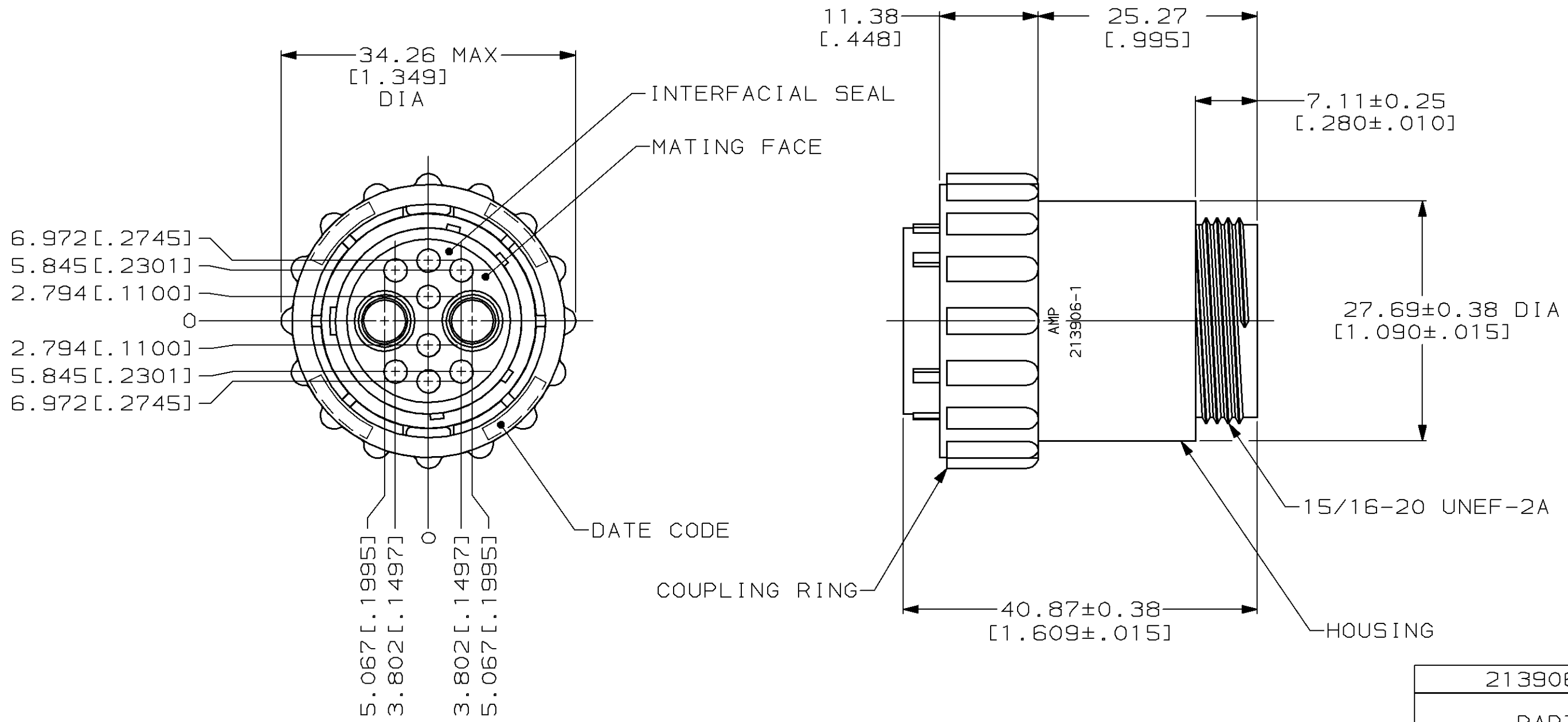


THIS DRAWING IS UNPUBLISHED. RELEASED FOR PUBLICATION, 19 .  
 © COPYRIGHT 19 BY AMP INCORPORATED. ALL RIGHTS RESERVED.

LOC	DIST	REVISIONS			
P	LTR	DESCRIPTION	DATE	DWN	APVD
FT	4				
	0	RLSE -1 PER NPR 5374, WAS 95-7970-26	07/04/95	-	-
	A	REV PER EC 0020-463-96	-	CR	AF
	B	REV PER EC 0320-244-97	06 OCT 97	BC	KD
	C	REV PER EC 0320-425-97	05 JAN 98	PB	RW



213906-1  
 PART NUMBER

1 HOUSING: GLASS FILLED NYLON, 6/6, BLACK  
 COUPLING RING: POLYESTER, BLACK  
 INTERFACIAL SEAL: ELASTOMER, RED-IRON OXIDE.

THIS DRAWING IS A CONTROLLED DOCUMENT FOR AMP INCORPORATED. IT IS SUBJECT TO CHANGE AND THE CONTROLLING ENGINEERING ORGANIZATION SHOULD BE CONTACTED FOR THE LATEST REVISION.		DWN D. HARDY 07/04/95	<b>AMP</b> AMP Incorporated Harrisburg, PA 17105-3608
DIMENSIONS: mm [INCHES]		CHK W. G. LENKER 07/05/95	
TOLERANCES UNLESS OTHERWISE SPECIFIED:		APVD A. FRANTUM 07/05/95	NAME PLUG ASSEMBLY, REVERSE SEX, 17-10, SERIES 6, CIRCULAR PLASTIC CONNECTOR
MATERIAL		PRODUCT SPEC -	SIZE A3
FINISH -		APPLICATION SPEC -	CAGE CODE 00779
ANGLE		WEIGHT -	DRAWING NO C-213906
CUSTOMER DRAWING		SCALE 2:1	SHEET 1 OF 1
			REV C

## ***Searchable Features:***

<b>Type de produit:</b>	Connecteur
<b>No. of Positions:</b>	10
<b>Gender:</b>	Fiche
<b>Pré-chargé:</b>	Non
<b>Broche/Douille:</b>	Broche
<b>Raccorder à:</b>	Conducteur
<b>Taille de coquille:</b>	17
<b>Type de coquille:</b>	Tout en plastique
<b>Diamètre du filet du capot:</b>	15/16-20 UNEF-2A
<b>Numérotation:</b>	Inversé
<b>Série de produit:</b>	Series 6
<b>Style de montage:</b>	Free Hanging
<b>Etanche:</b>	Oui
<b>Seal Type:</b>	Interfacial
<b>Testé VDE:</b>	Non
<b>Standard or Reverse Sex:</b>	Reverse

## ***Other Properties:***

<b>Diamètre de l'isolant du conducteur (mm [in]):</b>	3.81-6.73 [.150-.265]
<b>Matière du boîtier:</b>	6/6 Nylon GF
<b>Couleur du boîtier:</b>	Noir
<b>Taux d'inflammabilité de la matière du boîtier:</b>	UL 94V-0
<b>Interfacial Seal Material:</b>	Elastomer
<b>Interfacial Seal Color:</b>	Red-iron Oxide
<b>Coupling Ring Material:</b>	Polyester
<b>Coupling Ring Diameter (mm [in]):</b>	34.26 [1.349]