

GigaDevice Semiconductor Inc.

GD32F150xx

ARM[®] Cortex[®]-M3 32-bit MCU

Datasheet

Table of Contents

Table of Contents	1
List of Figures	3
List of Tables	4
1. General description	5
2. Device overview	6
2.1. Device information	6
2.2. Block diagram.....	8
2.3. Pinouts and pin assignment	9
2.4. Memory map	11
2.5. Clock tree	13
2.6. Pin definitions.....	14
2.6.1. GD32F150Rx LQFP64 pin definitions	14
2.6.2. GD32F150Cx LQFP48 pin definitions	19
2.6.3. GD32F150Kx QFN32 pin definitions	23
2.6.4. GD32F150Gx QFN28 pin definitions	26
2.6.5. GD32F150xx pin alternate functions	29
3. Functional description	33
3.1. ARM® Cortex®-M3 core	33
3.2. On-chip memory	33
3.3. Clock, reset and supply management.....	33
3.4. Boot modes.....	34
3.5. Power saving modes	34
3.6. Analog to digital converter (ADC)	35
3.7. Digital to analog converter (DAC).....	35
3.8. DMA.....	36
3.9. General-purpose inputs/outputs (GPIOs)	36
3.10. Timers and PWM generation	36
3.11. Real time clock (RTC)	38
3.12. Inter-integrated circuit (I2C)	38
3.13. Serial peripheral interface (SPI)	38
3.14. Universal synchronous asynchronous receiver transmitter (USART)	39

3.15.	Inter-IC sound (I2S)	39
3.16.	HDMI CEC	39
3.17.	Universal serial bus full-speed (USB)	40
3.18.	Touch sensing interface (TSI)	40
3.19.	Comparators (CMP).....	40
3.20.	Debug mode	41
3.21.	Package and operation temperature.....	41
4.	Electrical characteristics.....	42
4.1.	Absolute maximum ratings.....	42
4.2.	Recommended DC characteristics.....	42
4.3.	Power consumption	43
4.4.	EMC characteristics	44
4.5.	Power supply supervisor characteristics	44
4.6.	Electrical sensitivity	45
4.7.	External clock characteristics	46
4.8.	Internal clock characteristics	47
4.9.	PLL characteristics.....	48
4.10.	Memory characteristics	48
4.11.	GPIO characteristics	48
4.12.	ADC characteristics	49
4.13.	DAC characteristics	49
4.14.	I2C characteristics	49
4.15.	SPI characteristics	50
5.	Package information.....	51
5.1.	QFN package outline dimensions	51
5.2.	LQFP package outline dimensions	53
6.	Ordering information	55
7.	Revision history	56

List of Figures

Figure 2-1. GD32F150xx block diagram	8
Figure 2-2. GD32F150Rx LQFP64 pinouts	9
Figure 2-3. GD32F150Cx LQFP48 pinouts	9
Figure 2-4. GD32F150Kx QFN32 pinouts	10
Figure 2-5. GD32F150Gx QFN28 pinouts	10
Figure 2-6. GD32F150xx clock tree	13
Figure 5-1. QFN package outline	51
Figure 5-2. LQFP package outline	53

List of Tables

Table 2-1. GD32F150xx devices features and peripheral list	6
Table 2-2. GD32F150xx memory map	11
Table 2-3. GD32F150Rx LQFP64 pin definitions	14
Table 2-4. GD32F150Cx LQFP48 pin definitions	19
Table 2-5. GD32F150Kx QFN32 pin definitions	23
Table 2-6. GD32F150Gx QFN28 pin definitions	26
Table 2-7. Port A alternate functions summary	29
Table 2-8. Port B alternate functions summary	31
Table 2-9. Port C & D & F alternate functions summary	32
Table 4-1. Absolute maximum ratings	42
Table 4-2. DC operating conditions	42
Table 4-3. Power consumption characteristics	43
Table 4-4. EMS characteristics	44
Table 4-5. EMI characteristics	44
Table 4-6. Power supply supervisor characteristics	44
Table 4-7. ESD characteristics	45
Table 4-8. Static latch-up characteristics	45
Table 4-9. High speed crystal oscillator (HXTAL) generated from a crystal/ceramic characteristics	46
Table 4-10. Low speed crystal oscillator (LXTAL) generated from a crystal/ceramic characteristics	46
Table 4-11. Internal 8 MHz RC oscillator (IRC8M) characteristics	47
Table 4-12. Internal 40KHz RC oscillator (IRC40K) characteristics	47
Table 4-13. PLL characteristics	48
Table 4-14. Flash memory characteristics	48
Table 4-15. I/O port characteristics	48
Table 4-16. ADC characteristics	49
Table 4-17. DAC characteristics	49
Table 4-18. I2C characteristics	49
Table 4-19. Standard SPI characteristics	50
Table 5-1. QFN package dimensions	52
Table 5-2. LQFP package dimensions	54
Table 6-1. Part ordering code for GD32F150xx devices	55
Table 7-1. Revision history	56

1. General description

The GD32F150xx device belongs to the value line of GD32 MCU family. It is a 32-bit general-purpose microcontroller based on the high performance ARM® Cortex®-M3 RISC core with best ratio in terms of processing power, reduced power consumption and peripheral set. The Cortex®-M3 is a next generation processor core which is tightly coupled with a Nested Vectored Interrupt Controller (NVIC), SysTick timer and advanced debug support.

The GD32F150xx device incorporates the ARM® Cortex®-M3 32-bit processor core operating at 72 MHz frequency with Flash accesses zero wait states to obtain maximum efficiency. It provides up to 64 KB on-chip Flash memory and up to 8 KB SRAM memory. An extensive range of enhanced I/Os and peripherals connected to two APB buses. The devices offer one 12-bit ADC, one 12-bit DAC and two comparators, up to five general 16-bit timers, a general 32-bit timer, a basic timer, a PWM advanced timer, as well as standard and advanced communication interfaces: up to two SPIs, two I2Cs, two USARTs, an I2S, a HDMI-CEC a TSI and an USB D.

The device operates from a 2.6 to 3.6 V power supply and available in –40 to +85 °C temperature range. Several power saving modes provide the flexibility for maximum optimization between wakeup latency and power consumption, an especially important consideration in low power applications.

The above features make the GD32F150xx devices suitable for a wide range of applications, especially in areas such as industrial control, motor drives, user interface, power monitor and alarm systems, consumer and handheld equipment, gaming and GPS, E-bike and so on.



2. Device overview

2.1. Device information

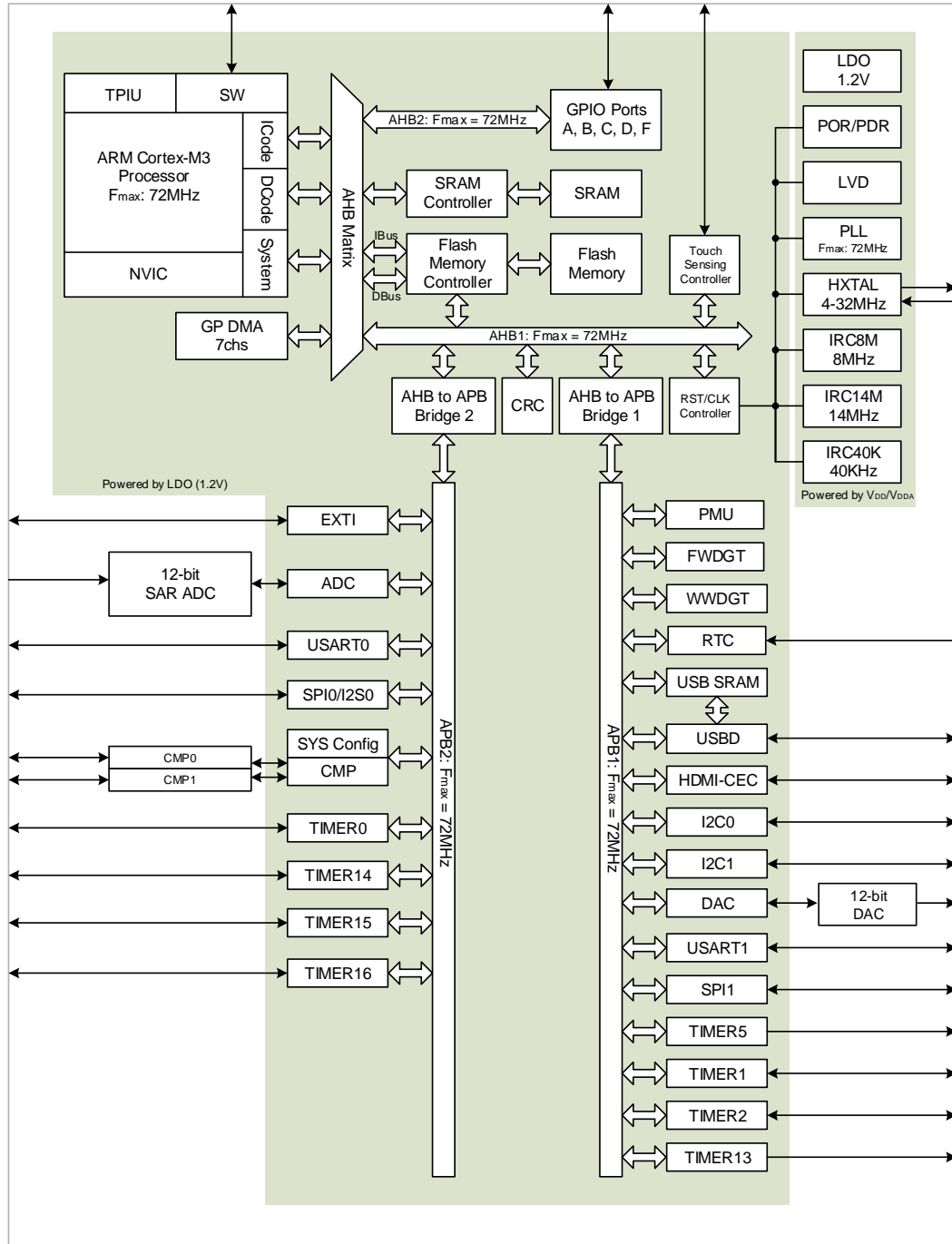
Table 2-1. GD32F150xx devices features and peripheral list

Part Number	GD32F150xx											
	G4	G6	G8	K4	K6	K8	C4	C6	C8	R4	R6	R8
Flash (KB)	16	32	64	16	32	64	16	32	64	16	32	64
SRAM (KB)	4	6	8	4	6	8	4	6	8	4	6	8
Timers	General timer(32-bit)	1 <small>(1)</small>	1 <small>(1)</small>	1 <small>(1)</small>	1 <small>(1)</small>	1 <small>(1)</small>	1 <small>(1)</small>	1 <small>(1)</small>	1 <small>(1)</small>	1 <small>(1)</small>	1 <small>(1)</small>	1 <small>(1)</small>
	General timer(16-bit)	5 <small>(2,13-16)</small>	5 <small>(2,13-16)</small>	5 <small>(2,13-16)</small>	5 <small>(2,13-16)</small>	5 <small>(2,13-16)</small>	5 <small>(2,13-16)</small>	5 <small>(2,13-16)</small>	5 <small>(2,13-16)</small>	5 <small>(2,13-16)</small>	5 <small>(2,13-16)</small>	5 <small>(2,13-16)</small>
	Advanced timer(16-bit)	1 <small>(0)</small>	1 <small>(0)</small>	1 <small>(0)</small>	1 <small>(0)</small>	1 <small>(0)</small>	1 <small>(0)</small>	1 <small>(0)</small>	1 <small>(0)</small>	1 <small>(0)</small>	1 <small>(0)</small>	1 <small>(0)</small>
	Basic timer (16-bit)	1 <small>(5)</small>	1 <small>(5)</small>	1 <small>(5)</small>	1 <small>(5)</small>	1 <small>(5)</small>	1 <small>(5)</small>	1 <small>(5)</small>	1 <small>(5)</small>	1 <small>(5)</small>	1 <small>(5)</small>	1 <small>(5)</small>
	SysTick	1	1	1	1	1	1	1	1	1	1	1
	Watchdog	2	2	2	2	2	2	2	2	2	2	2
	RTC	1	1	1	1	1	1	1	1	1	1	1
Connectivity	USART	1 <small>(0)</small>	2 <small>(0-1)</small>	2 <small>(0-1)</small>	1 <small>(0)</small>	2 <small>(0-1)</small>	2 <small>(0-1)</small>	1 <small>(0)</small>	2 <small>(0-1)</small>	2 <small>(0-1)</small>	1 <small>(0)</small>	2 <small>(0-1)</small>
	I2C	1 <small>(0)</small>	1 <small>(0)</small>	2 <small>(0-1)</small>	1 <small>(0)</small>	1 <small>(0)</small>	2 <small>(0-1)</small>	1 <small>(0)</small>	1 <small>(0)</small>	2 <small>(0-1)</small>	1 <small>(0)</small>	1 <small>(0)</small>
	SPI	1 <small>(0)</small>	1 <small>(0)</small>	2 <small>(0-1)</small>	1 <small>(0)</small>	1 <small>(0)</small>	2 <small>(0-1)</small>	1 <small>(0)</small>	1 <small>(0)</small>	2 <small>(0-1)</small>	1 <small>(0)</small>	1 <small>(0)</small>
	I2S	1 <small>(0)</small>	1 <small>(0)</small>	1 <small>(0)</small>	1 <small>(0)</small>	1 <small>(0)</small>	1 <small>(0)</small>	1 <small>(0)</small>	1 <small>(0)</small>	1 <small>(0)</small>	1 <small>(0)</small>	1 <small>(0)</small>
	USB-D	1	1	1	1	1	1	1	1	1	1	1
	HDMI-CEC	1	1	1	1	1	1	1	1	1	1	1
GPIO	24	24	24	27	27	27	39	39	39	55	55	55
TSI (Channels)	14	14	14	14	14	14	17	17	17	18	18	18
CMP	2	2	2	2	2	2	2	2	2	2	2	2
EXTI	16	16	16	16	16	16	16	16	16	16	16	16
ADC	Units	1	1	1	1	1	1	1	1	1	1	1
	Channels (External)	10	10	10	10	10	10	10	10	10	16	16

Part Number	GD32F150xx											
	G4	G6	G8	K4	K6	K8	C4	C6	C8	R4	R6	R8
Channels (Internal)	3	3	3	3	3	3	3	3	3	3	3	3
DAC	1 <small>(0)</small>	1 <small>(0)</small>	1 <small>(0)</small>	1 <small>(0)</small>	1 <small>(0)</small>	1 <small>(0)</small>	1 <small>(0)</small>	1 <small>(0)</small>	1 <small>(0)</small>	1 <small>(0)</small>	1 <small>(0)</small>	1 <small>(0)</small>
Package	QFN28			QFN32			LQFP48			LQFP64		

2.2. Block diagram

Figure 2-1. GD32F150xx block diagram



2.3. Pinouts and pin assignment

Figure 2-2. GD32F150Rx LQFP64 pinouts

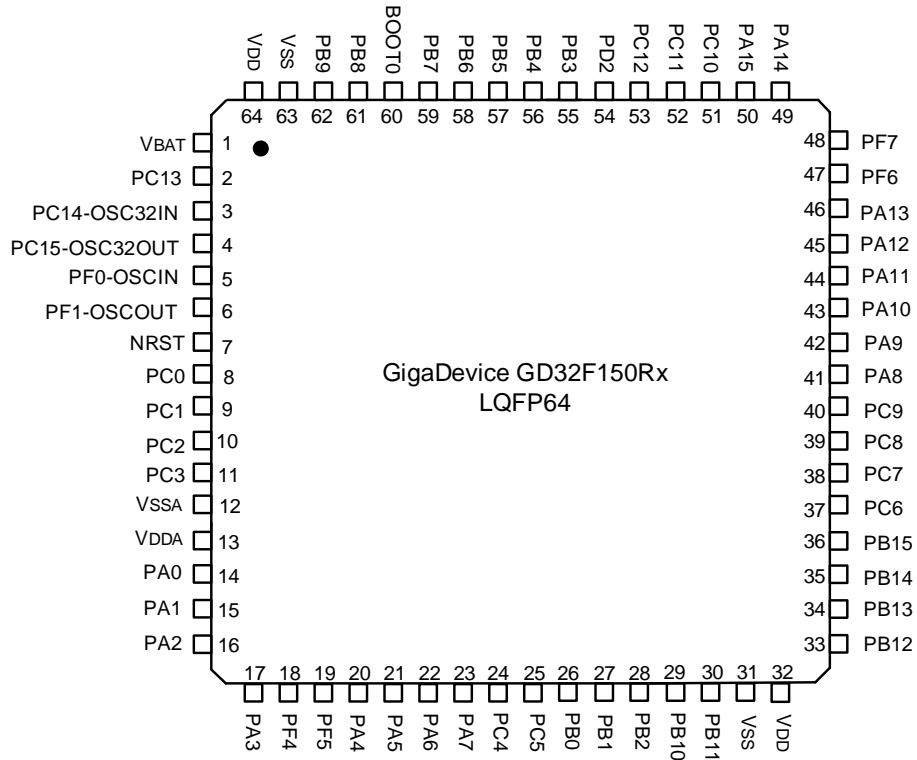


Figure 2-3. GD32F150Cx LQFP48 pinouts

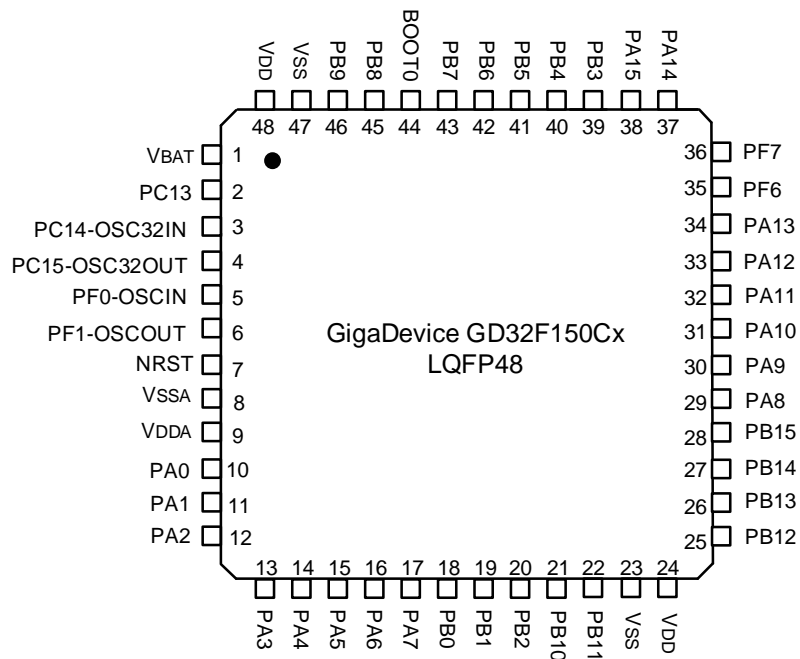


Figure 2-4. GD32F150Kx QFN32 pinouts

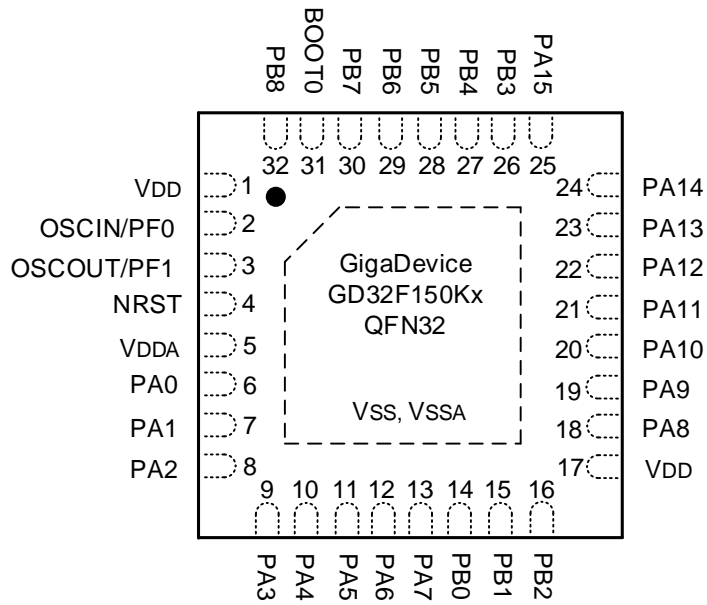
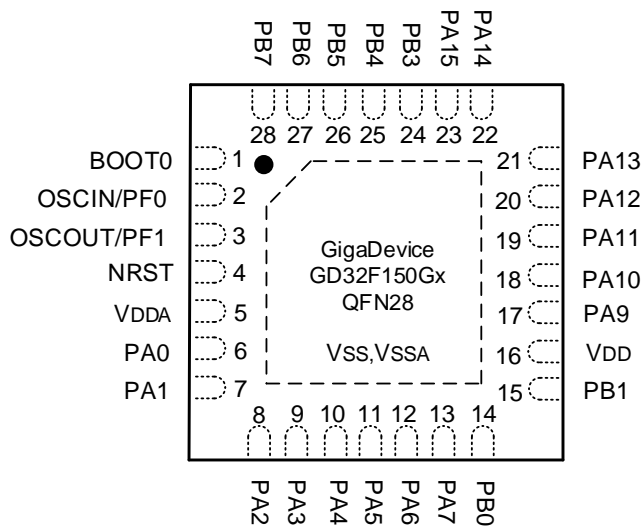


Figure 2-5. GD32F150Gx QFN28 pinouts



2.4. Memory map

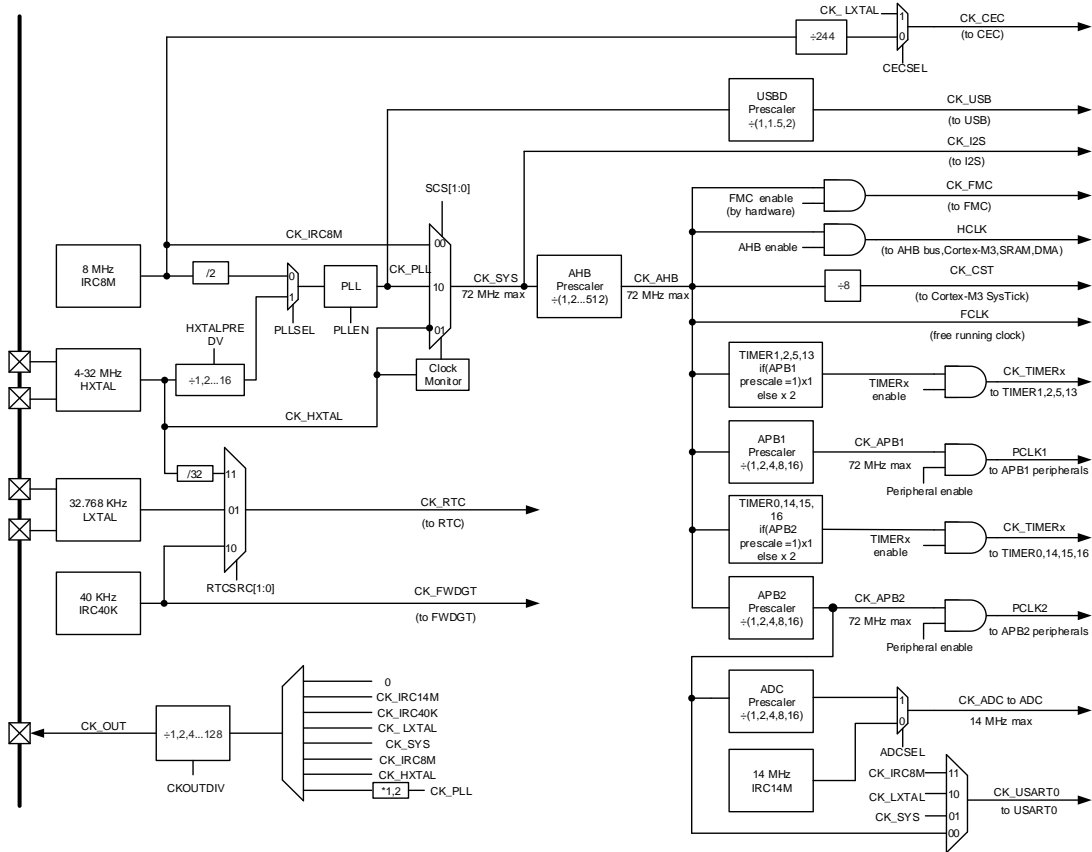
Table 2-2. GD32F150xx memory map

Pre-defined Regions	Bus	ADDRESS	Peripherals
		0xE000 0000 - 0xE00F FFFF	Cortex-M3 internal peripherals
External Device		0xA000 0000 - 0xDFFF FFFF	Reserved
External RAM		0x6000 0000 - 0x9FFF FFFF	Reserved
Peripherals	AHB1	0x5000 0000 - 0x5FFF FFFF	Reserved
	AHB2	0x4800 1800 - 0x4FFF FFFF	Reserved
		0x4800 1400 - 0x4800 17FF	GPIOF
		0x4800 1000 - 0x4800 13FF	Reserved
		0x4800 0C00 - 0x4800 0FFF	GPIOD
		0x4800 0800 - 0x4800 0BFF	GPIOC
		0x4800 0400 - 0x4800 07FF	GPIOB
		0x4800 0000 - 0x4800 03FF	GPIOA
	AHB1	0x4002 4400 - 0x47FF FFFF	Reserved
		0x4002 4000 - 0x4002 43FF	TSI
		0x4002 3400 - 0x4002 3FFF	Reserved
		0x4002 3000 - 0x4002 33FF	CRC
		0x4002 2400 - 0x4002 2FFF	Reserved
		0x4002 2000 - 0x4002 23FF	FMC
		0x4002 1400 - 0x4002 1FFF	Reserved
		0x4002 1000 - 0x4002 13FF	RCU
		0x4002 0400 - 0x4002 0FFF	Reserved
		0x4002 0000 - 0x4002 03FF	DMA
	APB2	0x4001 4C00 - 0x4001 FFFF	Reserved
		0x4001 4800 - 0x4001 4BFF	TIMER16
		0x4001 4400 - 0x4001 47FF	TIMER15
		0x4001 4000 - 0x4001 43FF	TIMER14
		0x4001 3C00 - 0x4001 3FFF	Reserved
		0x4001 3800 - 0x4001 3BFF	USART0
		0x4001 3400 - 0x4001 37FF	Reserved
		0x4001 3000 - 0x4001 33FF	SPI0/I2S0
		0x4001 2C00 - 0x4001 2FFF	TIMER0
		0x4001 2800 - 0x4001 2BFF	Reserved
		0x4001 2400 - 0x4001 27FF	ADC
		0x4001 0800 - 0x4001 23FF	Reserved
		0x4001 0400 - 0x4001 07FF	EXTI
	0x4001 0000 - 0x4001 03FF	SYSCFG+CMP	
	APB1	0x4000 C400 - 0x4000 FFFF	Reserved
0x4000 C000 - 0x4000 C3FF		Reserved	

Pre-defined Regions	Bus	ADDRESS	Peripherals
		0x4000 8000 - 0x4000 BFFF	Reserved
		0x4000 7C00 - 0x4000 7FFF	Reserved
		0x4000 7800 - 0x4000 7BFF	CEC
		0x4000 7400 - 0x4000 77FF	DAC
		0x4000 7000 - 0x4000 73FF	PMU
		0x4000 6400 - 0x4000 6FFF	Reserved
		0x4000 6000 - 0x4000 63FF	USB SRAM
		0x4000 5C00 - 0x4000 5FFF	USB registers
		0x4000 5800 - 0x4000 5BFF	I2C1
		0x4000 5400 - 0x4000 57FF	I2C0
		0x4000 4800 - 0x4000 53FF	Reserved
		0x4000 4400 - 0x4000 47FF	USART1
		0x4000 4000 - 0x4000 43FF	Reserved
		0x4000 3C00 - 0x4000 3FFF	Reserved
		0x4000 3800 - 0x4000 3BFF	SPI1
		0x4000 3400 - 0x4000 37FF	Reserved
		0x4000 3000 - 0x4000 33FF	FWDGT
		0x4000 2C00 - 0x4000 2FFF	WWDGT
		0x4000 2800 - 0x4000 2BFF	RTC
		0x4000 2400 - 0x4000 27FF	Reserved
		0x4000 2000 - 0x4000 23FF	TIMER13
		0x4000 1400 - 0x4000 1FFF	Reserved
		0x4000 1000 - 0x4000 13FF	TIMER5
		0x4000 0800 - 0x4000 0FFF	Reserved
0x4000 0400 - 0x4000 07FF	TIMER2		
0x4000 0000 - 0x4000 03FF	TIMER1		
SRAM		0x2000 2000 - 0x3FFF FFFF	Reserved
		0x2000 0000 - 0x2000 1FFF	SRAM
Code		0x1FFF F810 - 0x1FFF FFFF	Reserved
		0x1FFF F800 - 0x1FFF F80F	Option bytes
		0x1FFF EC00 - 0x1FFF F7FF	System memory
		0x0801 0000 - 0x1FFF EBFF	Reserved
		0x0800 0000 - 0x0800 FFFF	Main Flash memory
		0x0000 0000 - 0x07FF FFFF	Aliased to Flash or system memory

2.5. Clock tree

Figure 2-6. GD32F150xx clock tree



Legend:

- HXTAL: High speed crystal oscillator
- LXTAL: Low speed crystal oscillator
- IRC8M: Internal 8M RC oscillators
- IRC40K: Internal 40K RC oscillator
- IRC14M: Internal 14M RC oscillators

2.6. Pin definitions

2.6.1. GD32F150Rx LQFP64 pin definitions

Table 2-3. GD32F150Rx LQFP64 pin definitions

Pin Name	Pins	Pin Type ⁽¹⁾	I/O Level ⁽²⁾	Functions description
V _{BAT}	1	P		Default: V _{BAT}
PC13-TAM PER-RTC	2	I/O		Default: PC13 Additional: RTC_TAMP0, RTC_TS, RTC_OUT, WKUP1
PC14-OSC 32IN	3	I/O		Default: PC14 Additional: OSC32IN
PC15- OSC32OUT	4	I/O		Default: PC15 Additional: OSC32OUT
PF0-OSCIN	5	I/O	5VT	Default: PF0 Additional: OSCIN
PF1-OSCO UT	6	I/O	5VT	Default: PF1 Additional: OSCOUT
NRST	7	I/O		Default: NRST
PC0	8	I/O		Default: PC0 Alternate: EVENTOUT Additional: ADC_IN10
PC1	9	I/O		Default: PC1 Alternate: EVENTOUT Additional: ADC_IN11
PC2	10	I/O		Default: PC2 Alternate: EVENTOUT Additional: ADC_IN12
PC3	11	I/O		Default: PC3 Alternate: EVENTOUT Additional: ADC_IN13
V _{SSA}	12	P		Default: V _{SSA}
V _{DDA}	13	P		Default: V _{DDA}
PA0-WKUP	14	I/O		Default: PA0 Alternate: USART0_CTS ⁽³⁾ , USART1_CTS ⁽⁴⁾ , TIMER1_CH0, TIMER1_ETI, CMP0_OUT, TSI_G0_IO0, I2C1_SCL ⁽⁵⁾ Additional: ADC_IN0, CMP0_IM6, RTC_TAMP1, WKUP0
PA1	15	I/O		Default: PA1 Alternate: USART0_RTS ⁽³⁾ , USART1_RTS ⁽⁴⁾ , TIMER1_CH1, TSI_G0_IO1, I2C1_SDA ⁽⁵⁾ , EVENTOUT Additional: ADC_IN1, CMP0_IP

Pin Name	Pins	Pin Type ⁽¹⁾	I/O Level ⁽²⁾	Functions description
PA2	16	I/O		Default: PA2 Alternate: USART0_TX ⁽³⁾ , USART1_TX ⁽⁴⁾ , TIMER1_CH2, TIMER14_CH0, CMP1_OUT, TSI_G0_IO2 Additional: ADC_IN2, CMP1_IM6
PA3	17	I/O		Default: PA3 Alternate: USART0_RX ⁽³⁾ , USART1_RX ⁽⁴⁾ , TIMER1_CH3, TIMER14_CH1, TSI_G0_IO3 Additional: ADC_IN3, CMP1_IP
PF4	18	I/O	5VT	Default: PF4 Alternate: SPI1_NSS ⁽⁵⁾ , EVENTOUT
PF5	19	I/O	5VT	Default: PF5 Alternate: EVENTOUT
PA4	20	I/O		Default: PA4 Alternate: SPI0_NSS, I2S0_WS, USART0_RX ⁽³⁾ , USART1_RX ⁽⁴⁾ , TIMER13_CH0, TSI_G1_IO0, SPI1_NSS ⁽⁵⁾ Additional: ADC_IN4, CMP0_IM4, CMP1_IM4, DAC0_OUT
PA5	21	I/O		Default: PA5 Alternate: SPI0_SCK, I2S0_CK, CEC, TIMER1_CH0, TIMER1_ETI, TSI_G1_IO1 Additional: ADC_IN5, CMP0_IM5, CMP1_IM5
PA6	22	I/O		Default: PA6 Alternate: SPI0_MISO, I2S0_MCK, TIMER2_CH0, TIMER0_BRKIN, TIMER15_CH0, CMP0_OUT, TSI_G1_IO2, EVENTOUT Additional: ADC_IN6
PA7	23	I/O		Default: PA7 Alternate: SPI0_MOSI, I2S0_SD, TIMER2_CH1, TIMER13_CH0, TIMER0_CH0_ON, TIMER16_CH0, CMP1_OUT, TSI_G1_IO3, EVENTOUT Additional: ADC_IN7
PC4	24	I/O		Default: PC4 Alternate: EVENTOUT Additional: ADC_IN14
PC5	25	I/O		Default: PC5 Alternate: TSI_G2_IO0 Additional: ADC_IN15
PB0	26	I/O		Default: PB0 Alternate: TIMER2_CH2, TIMER0_CH1_ON, TSI_G2_IO1, USART1_RX, EVENTOUT Additional: ADC_IN8
PB1	27	I/O		Default: PB1 Alternate: TIMER2_CH3, TIMER13_CH0, TIMER0_CH2_ON,

Pin Name	Pins	Pin Type ⁽¹⁾	I/O Level ⁽²⁾	Functions description
				TSI_G2_IO2, SPI1_SCK ⁽⁵⁾ Additional: ADC_IN9
PB2	28	I/O	5VT	Default: PB2 Alternate: TSI_G2_IO3
PB10	29	I/O	5VT	Default: PB10 Alternate: I2C1_SCL ⁽⁵⁾ , CEC, TIMER1_CH2, TSITG
PB11	30	I/O	5VT	Default: PB11 Alternate: I2C1_SDA ⁽⁵⁾ , TIMER1_CH3, TSI_G5_IO0, EVENTOUT
V _{SS}	31	P		Default: V _{SS}
V _{DD}	32	P		Default: V _{DD}
PB12	33	I/O	5VT	Default: PB12 Alternate: SPI0_NSS ⁽³⁾ , SPI1_NSS ⁽⁵⁾ , TIMER0_BRKIN, TSI_G5_IO1, I2C1_SMBA ⁽⁵⁾ , EVENTOUT
PB13	34	I/O	5VT	Default: PB13 Alternate: SPI0_SCK ⁽³⁾ , SPI1_SCK ⁽⁵⁾ , TIMER0_CH0_ON, TSI_G5_IO2
PB14	35	I/O	5VT	Default: PB14 Alternate: SPI0_MISO ⁽³⁾ , SPI1_MISO ⁽⁵⁾ , TIMER0_CH1_ON, TIMER14_CH0, TSI_G5_IO3
PB15	36	I/O	5VT	Default: PB15 Alternate: SPI0_MOSI ⁽³⁾ , SPI1_MOSI ⁽⁵⁾ , TIMER0_CH2_ON, TIMER14_CH0_ON, TIMER14_CH1 Additional: RTC_REFIN
PC6	37	I/O	5VT	Default: PC6 Alternate: TIMER2_CH0
PC7	38	I/O	5VT	Default: PC7 Alternate: TIMER2_CH1
PC8	39	I/O	5VT	Default: PC8 Alternate: TIMER2_CH2
PC9	40	I/O	5VT	Default: PC9 Alternate: TIMER2_CH3
PA8	41	I/O	5VT	Default: PA8 Alternate: USART0_CK, TIMER0_CH0, CK_OUT, USART1_TX, EVENTOUT
PA9	42	I/O	5VT	Default: PA9 Alternate: USART0_TX, TIMER0_CH1, TIMER14_BRKIN, TSI_G3_IO0, I2C0_SCL
PA10	43	I/O	5VT	Default: PA10 Alternate: USART0_RX, TIMER0_CH2, TIMER16_BRKIN, TSI_G3_IO1, I2C0_SDA

Pin Name	Pins	Pin Type ⁽¹⁾	I/O Level ⁽²⁾	Functions description
PA11	44	I/O	5VT	Default: PA11 Alternate: USART0_CTS, TIMER0_CH3, CMP0_OUT, TSI_G3_IO2, EVENTOUT Additional: USBDM
PA12	45	I/O	5VT	Default: PA12 Alternate: USART0_RTS, TIMER0_ETI, CMP1_OUT, TSI_G3_IO3, EVENTOUT Additional: USBDP
PA13	46	I/O	5VT	Default: PA13 Alternate: IFRP_OUT, SWDIO, SPI1_MISO ⁽⁵⁾
PF6	47	I/O	5VT	Default: I2C1_SCL ⁽⁵⁾
PF7	48	I/O	5VT	Default: I2C1_SDA ⁽⁵⁾
PA14	49	I/O	5VT	Default: PA14 Alternate: USART0_TX ⁽³⁾ , USART1_TX ⁽⁴⁾ , SWCLK, SPI1_MOSI ⁽⁵⁾
PA15	50	I/O	5VT	Default: PA15 Alternate: SPI0_NSS, I2S0_WS, USART0_RX ⁽³⁾ , USART1_RX ⁽⁴⁾ , TIMER1_CH0, TIMER1_ETI, SPI1_NSS ⁽⁵⁾ , EVENTOUT
PC10	51	I/O	5VT	Default: PC10
PC11	52	I/O	5VT	Default: PC11
PC12	53	I/O	5VT	Default: PC12
PD2	54	I/O	5VT	Default: PD2 Alternate: TIMER2_ETI
PB3	55	I/O	5VT	Default: PB3 Alternate: SPI0_SCK, I2S0_CK, TIMER1_CH1, TSI_G4_IO0, EVENTOUT
PB4	56	I/O	5VT	Default: PB4 Alternate: SPI0_MISO, I2S0_MCK, TIMER2_CH0, TSI_G4_IO1, EVENTOUT
PB5	57	I/O	5VT	Default: PB5 Alternate: SPI0_MOSI, I2S0_SD, I2C0_SMBA, TIMER15_BRKIN, TIMER2_CH1
PB6	58	I/O	5VT	Default: PB6 Alternate: I2C0_SCL, USART0_TX, TIMER15_CH0_ON, TSI_G4_IO2
PB7	59	I/O	5VT	Default: PB7 Alternate: I2C0_SDA, USART0_RX, TIMER16_CH0_ON, TSI_G4_IO3
BOOT0	60	I		Default: BOOT0
PB8	61	I/O	5VT	Default: PB8

Pin Name	Pins	Pin Type ⁽¹⁾	I/O Level ⁽²⁾	Functions description
				Alternate: I2C0_SCL, GEC, TIMER15_CH0, TSITG
PB9	62	I/O	5VT	Default: PB9 Alternate: I2C0_SDA, IFRP_OUT, TIMER16_CH0, EVENTOUT
V _{SS}	63	P		Default: V _{SS}
V _{DD}	64	P		Default: V _{DD}

Notes:

- (1) Type: I = input, O = output, P = power.
- (2) I/O Level: 5VT = 5 V tolerant.
- (3) Functions are available on GD32F150R4 devices only.
- (4) Functions are available on GD32F150R8/6 devices.
- (5) Functions are available on GD32F150R8 devices.

2.6.2. GD32F150Cx LQFP48 pin definitions
Table 2-4. GD32F150Cx LQFP48 pin definitions

Pin Name	Pins	Pin Type ⁽¹⁾	I/O Level ⁽²⁾	Functions description
V _{BAT}	1	P		Default: V _{BAT}
PC13-TAMPER-RTC	2	I/O		Default: PC13 Additional: RTC_TAMP0, RTC_TS, RTC_OUT, WKUP1
PC14-OSC32IN	3	I/O		Default: PC14 Additional: OSC32IN
PC15-OSC32OUT	4	I/O		Default: PC15 Additional: OSC32OUT
PF0-OSCIN	5	I/O	5VT	Default: PF0 Additional: OSCIN
PF1-OSCOU T	6	I/O	5VT	Default: PF1 Additional: OSCOUT
NRST	7	I/O		Default: NRST
V _{SSA}	8	P		Default: V _{SSA}
V _{DDA}	9	P		Default: V _{DDA}
PA0-WKUP	10	I/O		Default: PA0 Alternate: USART0_CTS ⁽³⁾ , USART1_CTS ⁽⁴⁾ , TIMER1_CH0, TIMER1_ETI, CMP0_OUT, TSI_G0_IO0, I2C1_SCL ⁽⁵⁾ Additional: ADC_IN0, CMP0_IM6, RTC_TAMP1, WKUP0
PA1	11	I/O		Default: PA1 Alternate: USART0_RTS ⁽³⁾ , USART1_RTS ⁽⁴⁾ , TIMER1_CH1, TSI_G0_IO1, I2C1_SDA ⁽⁵⁾ , EVENTOUT Additional: ADC_IN1, CMP0_IP
PA2	12	I/O		Default: PA2 Alternate: USART0_TX ⁽³⁾ , USART1_TX ⁽⁴⁾ , TIMER1_CH2, TIMER14_CH0, CMP1_OUT, TSI_G0_IO2 Additional: ADC_IN2, CMP1_IM6
PA3	13	I/O		Default: PA3 Alternate: USART0_RX ⁽³⁾ , USART1_RX ⁽⁴⁾ , TIMER1_CH3, TIMER14_CH1, TSI_G0_IO3 Additional: ADC_IN3, CMP1_IP
PA4	14	I/O		Default: PA4 Alternate: SPI0_NSS, I2S0_WS, USART0_RX ⁽³⁾ , USART1_RX ⁽⁴⁾ , TIMER13_CH0, TSI_G1_IO0, SPI1_NSS ⁽⁵⁾ Additional: ADC_IN4, CMP0_IM4, CMP1_IM4, DAC0_OUT
PA5	15	I/O		Default: PA5 Alternate: SPI0_SCK, I2S0_CK, CEC, TIMER1_CH0, TIMER1_ETI, TSI_G1_IO1

Pin Name	Pins	Pin Type ⁽¹⁾	I/O Level ⁽²⁾	Functions description
				Additional: ADC_IN5, CMP0_IM5, CMP1_IM5
PA6	16	I/O		Default: PA6 Alternate: SPI0_MISO, I2S0_MCK, TIMER2_CH0, TIMER0_BRKIN, TIMER15_CH0, CMP0_OUT, TSI_G1_IO2, EVENTOUT Additional: ADC_IN6
PA7	17	I/O		Default: PA7 Alternate: SPI0_MOSI, I2S0_SD, TIMER2_CH1, TIMER13_CH0, TIMER0_CH0_ON, TIMER16_CH0, CMP1_OUT, TSI_G1_IO3, EVENTOUT Additional: ADC_IN7
PB0	18	I/O		Default: PB0 Alternate: TIMER2_CH2, TIMER0_CH1_ON, TSI_G2_IO1, USART1_RX ⁽⁴⁾ , EVENTOUT Additional: ADC_IN8
PB1	19	I/O		Default: PB1 Alternate: TIMER2_CH3, TIMER13_CH0, TIMER0_CH2_ON, TSI_G2_IO2, SPI1_SCK ⁽⁵⁾ Additional: ADC_IN9
PB2	20	I/O	5VT	Default: PB2 Alternate: TSI_G2_IO3
PB10	21	I/O	5VT	Default: PB10 Alternate: I2C1_SCL ⁽⁵⁾ , CEC, TIMER1_CH2, TSITG
PB11	22	I/O	5VT	Default: PB11 Alternate: I2C1_SDA ⁽⁵⁾ , TIMER1_CH3, TSI_G5_IO0, EVENTOUT
V _{SS}	23	P		Default: V _{SS}
V _{DD}	24	P		Default: V _{DD}
PB12	25	I/O	5VT	Default: PB12 Alternate: SPI0_NSS ⁽³⁾ , SPI1_NSS ⁽⁵⁾ , TIMER0_BRKIN, TSI_G5_IO1, I2C1_SMBA ⁽⁵⁾ , EVENTOUT
PB13	26	I/O	5VT	Default: PB13 Alternate: SPI0_SCK ⁽³⁾ , SPI1_SCK ⁽⁵⁾ , TIMER0_CH0_ON, TSI_G5_IO2
PB14	27	I/O	5VT	Default: PB14 Alternate: SPI0_MISO ⁽³⁾ , SPI1_MISO ⁽⁵⁾ , TIMER0_CH1_ON, TIMER14_CH0, TSI_G5_IO3
PB15	28	I/O	5VT	Default: PB15 Alternate: SPI0_MOSI ⁽³⁾ , SPI1_MOSI ⁽⁵⁾ , TIMER0_CH2_ON, TIMER14_CH0_ON, TIMER14_CH1 Additional: RTC_REFIN

Pin Name	Pins	Pin Type ⁽¹⁾	I/O Level ⁽²⁾	Functions description
PA8	29	I/O	5VT	Default: PA8 Alternate: USART0_CK, TIMER0_CH0, CK_OUT, USART1_TX ⁽⁴⁾ , EVENTOUT
PA9	30	I/O	5VT	Default: PA9 Alternate: USART0_TX, TIMER0_CH1, TIMER14_BRKIN, TSI_G3_IO0, I2C0_SCL
PA10	31	I/O	5VT	Default: PA10 Alternate: USART0_RX, TIMER0_CH2, TIMER16_BRKIN, TSI_G3_IO1, I2C0_SDA
PA11	32	I/O	5VT	Default: PA11 Alternate: USART0_CTS, TIMER0_CH3, CMP0_OUT, TSI_G3_IO2, EVENTOUT Additional: USBDM
PA12	33	I/O	5VT	Default: PA12 Alternate: USART0_RTS, TIMER0_ETI, CMP1_OUT, TSI_G3_IO3, EVENTOUT Additional: USBDP
PA13	34	I/O	5VT	Default: PA13 Alternate: IFRP_OUT, SWDIO, SPI1_MISO ⁽⁵⁾
PF6	35	I/O	5VT	Default: I2C1_SCL ⁽⁵⁾
PF7	36	I/O	5VT	Default: I2C1_SDA ⁽⁵⁾
PA14	37	I/O	5VT	Default: PA14 Alternate: USART0_TX ⁽³⁾ , USART1_TX ⁽⁴⁾ , SWCLK, SPI1_MOSI ⁽⁵⁾
PA15	38	I/O	5VT	Default: PA15 Alternate: SPI0_NSS, I2S0_WS, USART0_RX ⁽³⁾ , USART1_RX ⁽⁴⁾ , TIMER1_CH0, TIMER1_ETI, SPI1_NSS ⁽⁵⁾ , EVENTOUT
PB3	39	I/O	5VT	Default: PB3 Alternate: SPI0_SCK, I2S0_CK, TIMER1_CH1, TSI_G4_IO0, EVENTOUT
PB4	40	I/O	5VT	Default: PB4 Alternate: SPI0_MISO, I2S0_MCK, TIMER2_CH0, TSI_G4_IO1, EVENTOUT
PB5	41	I/O	5VT	Default: PB5 Alternate: SPI0_MOSI, I2S0_SD, I2C0_SMBA, TIMER15_BRKIN, TIMER2_CH1
PB6	42	I/O	5VT	Default: PB6 Alternate: I2C0_SCL, USART0_TX, TIMER15_CH0_ON, TSI_G4_IO2
PB7	43	I/O	5VT	Default: PB7

Pin Name	Pins	Pin Type ⁽¹⁾	I/O Level ⁽²⁾	Functions description
				Alternate: I2C0_SDA, USART0_RX, TIMER16_CH0_ON, TSI_G4_IO3
BOOT0	44	I		Default: BOOT0
PB8	45	I/O	5VT	Default: PB8 Alternate: I2C0_SCL, CEC, TIMER15_CH0, TSITG
PB9	46	I/O	5VT	Default: PB9 Alternate: I2C0_SDA, IFRP_OUT, TIMER16_CH0, EVENTOUT
V _{SS}	47	P		Default: V _{SS}
V _{DD}	48	P		Default: V _{DD}

Notes:

- (1) Type: I = input, O = output, P = power.
- (2) I/O Level: 5VT = 5 V tolerant.
- (3) Functions are available on GD32F150C4 devices only.
- (4) Functions are available on GD32F150C8/6 devices.
- (5) Functions are available on GD32F150C8 devices.

2.6.3. GD32F150Kx QFN32 pin definitions

Table 2-5. GD32F150Kx QFN32 pin definitions

Pin Name	Pins	Pin Type ⁽¹⁾	I/O Level ⁽²⁾	Functions description
V _{DD}	1	P		Default: V _{DD}
PF0-OSCIN	2	I/O	5VT	Default: PF0 Additional: OSCIN
PF1-OSCOU T	3	I/O	5VT	Default: PF1 Additional: OSCOUT
NRST	4	I/O		Default: NRST
V _{DDA}	5	P		Default: V _{DDA}
PA0-WKUP	6	I/O		Default: PA0 Alternate: USART0_CTS ⁽³⁾ , USART1_CTS ⁽⁴⁾ , TIMER1_CH0, TIMER1_ETI, CMP0_OUT, TSI_G0_IO0, I2C1_SCL ⁽⁵⁾ Additional: ADC_IN0, CMP0_IM6, RTC_TAMP1, WKUP0
PA1	7	I/O		Default: PA1 Alternate: USART0_RTS ⁽³⁾ , USART1_RTS ⁽⁴⁾ , TIMER1_CH1, TSI_G0_IO1, I2C1_SDA ⁽⁵⁾ , EVENTOUT Additional: ADC_IN1, CMP0_IP
PA2	8	I/O		Default: PA2 Alternate: USART0_TX ⁽³⁾ , USART1_TX ⁽⁴⁾ , TIMER1_CH2, TIMER14_CH0, CMP1_OUT, TSI_G0_IO2 Additional: ADC_IN2, CMP1_IM6
PA3	9	I/O		Default: PA3 Alternate: USART0_RX ⁽³⁾ , USART1_RX ⁽⁴⁾ , TIMER1_CH3, TIMER14_CH1, TSI_G0_IO3 Additional: ADC_IN3, CMP1_IP
PA4	10	I/O		Default: PA4 Alternate: SPI0_NSS, I2S0_WS, USART0_RX ⁽³⁾ , USART1_RX ⁽⁴⁾ , TIMER13_CH0, TSI_G1_IO0, SPI1_NSS ⁽⁵⁾ Additional: ADC_IN4, CMP0_IM4, CMP1_IM4, DAC0_OUT
PA5	11	I/O		Default: PA5 Alternate: SPI0_SCK, I2S0_CK, CEC, TIMER1_CH0, TIMER1_ETI, TSI_G1_IO1 Additional: ADC_IN5, CMP0_IM5, CMP1_IM5
PA6	12	I/O		Default: PA6 Alternate: SPI0_MISO, I2S0_MCK, TIMER2_CH0, TIMER0_BRKIN, TIMER15_CH0, CMP0_OUT, TSI_G1_IO2, EVENTOUT Additional: ADC_IN6
PA7	13	I/O		Default: PA7

Pin Name	Pins	Pin Type ⁽¹⁾	I/O Level ⁽²⁾	Functions description
				Alternate: SPI0_MOSI, I2S0_SD, TIMER2_CH1, TIMER13_CH0, TIMER0_CH0_ON, TIMER16_CH0, CMP1_OUT, TSI_G1_IO3, EVENTOUT Additional: ADC_IN7
PB0	14	I/O		Default: PB0 Alternate: TIMER2_CH2, TIMER0_CH1_ON, TSI_G2_IO1, USART1_RX ⁽⁴⁾ , EVENTOUT Additional: ADC_IN8
PB1	15	I/O		Default: PB1 Alternate: TIMER2_CH3, TIMER13_CH0, TIMER0_CH2_ON, TSI_G2_IO2, SPI1_SCK ⁽⁵⁾ Additional: ADC_IN9
PB2	16	I/O	5VT	Default: PB2 Alternate: TSI_G2_IO3
V _{DD}	17	P		Default: V _{DD}
PA8	18	I/O	5VT	Default: PA8 Alternate: USART0_CK, TIMER0_CH0, CK_OUT, USART1_TX ⁽⁴⁾ , EVENTOUT
PA9	19	I/O	5VT	Default: PA9 Alternate: USART0_TX, TIMER0_CH1, TIMER14_BRKIN, TSI_G3_IO0, I2C0_SCL
PA10	20	I/O	5VT	Default: PA10 Alternate: USART0_RX, TIMER0_CH2, TIMER16_BRKIN, TSI_G3_IO1, I2C0_SDA
PA11	21	I/O	5VT	Default: PA11 Alternate: USART0_CTS, TIMER0_CH3, CMP0_OUT, TSI_G3_IO2, EVENTOUT Additional: USBDM
PA12	22	I/O	5VT	Default: PA12 Alternate: USART0_RTS, TIMER0_ETI, CMP1_OUT, TSI_G3_IO3, EVENTOUT Additional: USBDP
PA13	23	I/O	5VT	Default: PA13 Alternate: IFRP_OUT, SWDIO, SPI1_MISO ⁽⁵⁾
PA14	24	I/O	5VT	Default: PA14 Alternate: USART0_TX ⁽³⁾ , USART1_TX ⁽⁴⁾ , SWCLK, SPI1_MOSI ⁽⁵⁾
PA15	25	I/O	5VT	Default: PA15 Alternate: SPI0_NSS, I2S0_WS, USART0_RX ⁽³⁾ , USART1_RX ⁽⁴⁾ , TIMER1_CH0, TIMER1_ETI, SPI1_NSS ⁽⁵⁾ , EVENTOUT

Pin Name	Pins	Pin Type ⁽¹⁾	I/O Level ⁽²⁾	Functions description
PB3	26	I/O	5VT	Default: PB3 Alternate: SPI0_SCK, I2S0_CK, TIMER1_CH1, TSI_G4_IO0, EVENTOUT
PB4	27	I/O	5VT	Default: PB4 Alternate: SPI0_MISO, I2S0_MCK, TIMER2_CH0, TSI_G4_IO1, EVENTOUT
PB5	28	I/O	5VT	Default: PB5 Alternate: SPI0_MOSI, I2S0_SD, I2C0_SMBA, TIMER15_BRKIN, TIMER2_CH1
PB6	29	I/O	5VT	Default: PB6 Alternate: I2C0_SCL, USART0_TX, TIMER15_CH0_ON, TSI_G4_IO2
PB7	30	I/O	5VT	Default: PB7 Alternate: I2C0_SDA, USART0_RX, TIMER16_CH0_ON, TSI_G4_IO3
BOOT0	31	I		Default: BOOT0
PB8	32	I/O	5VT	Default: PB8 Alternate: I2C0_SCL, CEC, TIMER15_CH0, TSITG

Notes:

- (1) Type: I = input, O = output, P = power.
- (2) I/O Level: 5VT = 5 V tolerant.
- (3) Functions are available on GD32F150K4 devices only.
- (4) Functions are available on GD32F150K8/6 devices.
- (5) Functions are available on GD32F150K8 devices.

2.6.4. GD32F150Gx QFN28 pin definitions
Table 2-6. GD32F150Gx QFN28 pin definitions

Pin Name	Pins	Pin Type ⁽¹⁾	I/O Level ⁽²⁾	Functions description
BOOT0	60	I		Default: BOOT0
PF0-OSCIN	5	I/O	5VT	Default: PF0 Additional: OSCIN
PF1-OSCOU T	6	I/O	5VT	Default: PF1 Additional: OSCOUT
NRST	7	I/O		Default: NRST
V _{DDA}	13	P		Default: V _{DDA}
PA0-WKUP	14	I/O		Default: PA0 Alternate: USART0_CTS ⁽³⁾ , USART1_CTS ⁽⁴⁾ , TIMER1_CH0, TIMER1_ETI, CMP0_OUT, TSI_G0_IO0, I2C1_SCL ⁽⁵⁾ Additional: ADC_IN0, CMP0_IM6, RTC_TAMP1, WKUP0
PA1	15	I/O		Default: PA1 Alternate: USART0_RTS ⁽³⁾ , USART1_RTS ⁽⁴⁾ , TIMER1_CH1, TSI_G0_IO1, I2C1_SDA ⁽⁵⁾ , EVENTOUT Additional: ADC_IN1, CMP0_IP
PA2	16	I/O		Default: PA2 Alternate: USART0_TX ⁽³⁾ , USART1_TX ⁽⁴⁾ , TIMER1_CH2, TIMER14_CH0, CMP1_OUT, TSI_G0_IO2 Additional: ADC_IN2, CMP1_IM6
PA3	17	I/O		Default: PA3 Alternate: USART0_RX ⁽³⁾ , USART1_RX ⁽⁴⁾ , TIMER1_CH3, TIMER14_CH1, TSI_G0_IO3 Additional: ADC_IN3, CMP1_IP
PA4	20	I/O		Default: PA4 Alternate: SPI0_NSS, I2S0_WS, USART0_RX ⁽³⁾ , USART1_RX ⁽⁴⁾ , TIMER13_CH0, TSI_G1_IO0, SPI1_NSS ⁽⁵⁾ Additional: ADC_IN4, CMP0_IM4, CMP1_IM4, DAC0_OUT
PA5	21	I/O		Default: PA5 Alternate: SPI0_SCK, I2S0_CK, CEC, TIMER1_CH0, TIMER1_ETI, TSI_G1_IO1 Additional: ADC_IN5, CMP0_IM5, CMP1_IM5
PA6	22	I/O		Default: PA6 Alternate: SPI0_MISO, I2S0_MCK, TIMER2_CH0, TIMER0_BRKIN, TIMER15_CH0, CMP0_OUT, TSI_G1_IO2, EVENTOUT Additional: ADC_IN6
PA7	23	I/O		Default: PA7

Pin Name	Pins	Pin Type ⁽¹⁾	I/O Level ⁽²⁾	Functions description
				Alternate: SPI0_MOSI, I2S0_SD, TIMER2_CH1, TIMER13_CH0, TIMER0_CH0_ON, TIMER16_CH0, CMP1_OUT, TSI_G1_IO3, EVENTOUT Additional: ADC_IN7
PB0	26	I/O		Default: PB0 Alternate: TIMER2_CH2, TIMER0_CH1_ON, TSI_G2_IO1, USART1_RX ⁽⁴⁾ , EVENTOUT Additional: ADC_IN8
PB1	27	I/O		Default: PB1 Alternate: TIMER2_CH3, TIMER13_CH0, TIMER0_CH2_ON, TSI_G2_IO2, SPI1_SCK ⁽⁵⁾ Additional: ADC_IN9
V _{DD}	32	P		Default: V _{DD}
PA9	42	I/O	5VT	Default: PA9 Alternate: USART0_TX, TIMER0_CH1, TIMER14_BRKIN, TSI_G3_IO0, I2C0_SCL
PA10	43	I/O	5VT	Default: PA10 Alternate: USART0_RX, TIMER0_CH2, TIMER16_BRKIN, TSI_G3_IO1, I2C0_SDA
PA11	44	I/O	5VT	Default: PA11 Alternate: USART0_CTS, TIMER0_CH3, CMP0_OUT, TSI_G3_IO2, EVENTOUT Additional: USBDM
PA12	45	I/O	5VT	Default: PA12 Alternate: USART0_RTS, TIMER0_ETI, CMP1_OUT, TSI_G3_IO3, EVENTOUT Additional: USBDP
PA13	46	I/O	5VT	Default: PA13 Alternate: IFRP_OUT, SWDIO, SPI1_MISO ⁽⁵⁾
PA14	49	I/O	5VT	Default: PA14 Alternate: USART0_TX ⁽³⁾ , USART1_TX ⁽⁴⁾ , SWCLK, SPI1_MOSI ⁽⁵⁾
PA15	50	I/O	5VT	Default: PA15 Alternate: SPI0_NSS, I2S0_WS, USART0_RX ⁽³⁾ , USART1_RX ⁽⁴⁾ , TIMER1_CH0, TIMER1_ETI, SPI1_NSS ⁽⁵⁾ , EVENTOUT
PB3	55	I/O	5VT	Default: PB3 Alternate: SPI0_SCK, I2S0_CK, TIMER1_CH1, TSI_G4_IO0, EVENTOUT
PB4	56	I/O	5VT	Default: PB4 Alternate: SPI0_MISO, I2S0_MCK, TIMER2_CH0, TSI_G4_IO1, EVENTOUT

Pin Name	Pins	Pin Type ⁽¹⁾	I/O Level ⁽²⁾	Functions description
PB5	57	I/O	5VT	Default: PB5 Alternate: SPI0_MOSI, I2S0_SD, I2C0_SMBA, TIMER15_BRKIN, TIMER2_CH1
PB6	58	I/O	5VT	Default: PB6 Alternate: I2C0_SCL, USART0_TX, TIMER15_CH0_ON, TSI_G4_IO2
PB7	59	I/O	5VT	Default: PB7 Alternate: I2C0_SDA, USART0_RX, TIMER16_CH0_ON, TSI_G4_IO3

Notes:

- (1) Type: I = input, O = output, P = power.
- (2) I/O Level: 5VT = 5 V tolerant.
- (3) Functions are available on GD32F150G4 devices only.
- (4) Functions are available on GD32F150G8/6 devices.
- (5) Functions are available on GD32F150G8 devices.

2.6.5. GD32F150xx pin alternate functions
Table 2-7. Port A alternate functions summary

Pin Name	AF0	AF1	AF2	AF3	AF4	AF5	AF6	AF7
PA0		USART0_CT S ⁽¹⁾ USART1_CT S ⁽²⁾	TIMER1_ CH0, TIMER1_ ETI	TSI_G0_ IO0	I2C1_SCL ⁽³⁾			CMP0_OUT
PA1	EVENTO UT	USART0_RT S ⁽¹⁾ USART1_RT S ⁽²⁾	TIMER1_ CH1	TSI_G0_ IO1	I2C1_SDA ⁽³⁾			
PA2	TIMER14 _CH0	USART0_TX ⁽¹⁾ USART1_TX ⁽²⁾	TIMER1_ CH2	TSI_G0_ IO2				CMP1_OUT
PA3	TIMER14 _CH1	USART0_RX ⁽¹⁾ USART1_RX ⁽²⁾	TIMER1_ CH3	TSI_G0_ IO3				
PA4	SPI0_NS S/ I2S0_WS	USART0_CK ⁽¹⁾ USART1_CK ⁽²⁾		TSI_G1_ IO0	TIMER13_C H0		SPI1_N SS ⁽³⁾	
PA5	SPI0_SC K/ I2S0_CK	CEC	TIMER1_ CH0, TIMER1_ ETI	TSI_G1_ IO1				
PA6	SPI0_MIS O/ I2S0_MC K	TIMER2_CH 0	TIMER0_ BRKIN	TSI_G1_ IO2		TIMER1 5_CH0	EVENT OUT	CMP0_OUT
PA7	SPI0_MO SI/ I2S0_SD	TIMER2_CH 1	TIMER0_ CH0_ON	TSI_G1_ IO3	TIMER13_C H0	TIMER1 6_CH0	EVENT OUT	CMP1_OUT
PA8	CK_OUT	USART0_CK	TIMER0_ CH0	EVENTO UT	USART1_TX ⁽²⁾			
PA9	TIMER14 _BRKIN	USART0_TX	TIMER0_ CH1	TSI_G3_ IO1	I2C0_SCL			
PA10	TIMER16 _BRKIN	USART0_RX	TIMER0_ CH2	TSI_G3_ IO1	I2C0_SDA			
PA11	EVENTO	USART0_CT	TIMER0_ CH0	TSI_G3_ IO0				CMP0_OUT

Pin Name	AF0	AF1	AF2	AF3	AF4	AF5	AF6	AF7
	UT	S	CH3	IO2				
PA12	EVENTO UT	USART0_RT S	TIMER0_ ETI	TSI_G3_ IO3				CMP1_OUT
PA13	SWDIO	IFRP_OUT					SPI1_M ISO ⁽³⁾	
PA14	SWCLK	USART0_TX ⁽¹⁾ USART1_TX ⁽²⁾					SPI1_M OS ⁽³⁾	
PA15	SPI0_NS S, I2S0_WS	USART0_RX ⁽¹⁾ USART1_RX ⁽²⁾	TIMER1_ CH0, TIMER1_ ETI	EVENTO UT			SPI1_N SS ⁽³⁾	

Notes:

- (1) Functions are available on GD32F150x4 devices only.
- (2) Functions are available on GD32F150x8/6 devices.
- (3) Functions are available on GD32F150x8 devices.

Table 2-8. Port B alternate functions summary

Pin Name	AF0	AF1	AF2	AF3	AF4	AF5	AF6
PB0	EVENTOUT	TIMER2_CH2	TIMER0_CH1_ON	TSI_G2_IO1	USART1_RX ⁽²⁾		
PB1	TIMER13_CH0	TIMER2_CH3	TIMER0_CH2_ON	TSI_G2_IO2			SPI1_SCK ⁽³⁾
PB2				TSI_G2_IO3			
PB3	SPI0_SCK / I2S0_CK	EVENTOUT	TIMER1_CH1	TSI_G4_IO0			
PB4	SPI0_MISO / I2S0_MCK	TIMER2_CH0	EVENTOUT	TSI_G4_IO1			
PB5	SPI0_MOSI / I2S0_SD	TIMER2_CH1	TIMER15_BRKIN	I2C0_SMBA			
PB6	USART0_TX	I2C0_SCL	TIMER15_CH0_ON	TSI_G4_IO2			
PB7	USART0_RX	I2C0_SDA	TIMER16_CH0_ON	TSI_G4_IO3			
PB8	CEC	I2C0_SCL	TIMER15_CH0	TSITG			
PB9	IFRP_OUT	I2C0_SDA	TIMER16_CH0	EVENTOUT			
PB10	CEC	I2C1_SCL ⁽³⁾	TIMER1_CH2	TSITG			
PB11	EVENTOUT	I2C1_SDA ⁽³⁾	TIMER1_CH3	TSI_G5_IO0			
PB12	SPI0_NSS ⁽¹⁾ SPI1_NSS ⁽³⁾	EVENTOUT	TIMER0_BRKIN	TSI_G5_IO1	I2C1_SMBA ⁽³⁾		
PB13	SPI0_SCK ⁽¹⁾ SPI1_SCK ⁽³⁾		TIMER0_CH0_ON	TSI_G5_IO2			
PB14	SPI0_MISO ⁽¹⁾) SPI1_MISO ⁽³⁾)	TIMER14_CH0	TIMER0_CH1_ON	TSI_G5_IO3			
PB15	SPI0_MOSI ⁽¹⁾) SPI1_MOSI ⁽³⁾)	TIMER14_CH1	TIMER0_CH2_ON	TIMER14_CH0_ON			

Notes:

(1) Functions are available on GD32F150x4 devices only.

(2) Functions are available on GD32F150x8/6 devices.

(3) Functions are available on GD32F150x8 devices.

Table 2-9. Port C & D & F alternate functions summary

Pin Name	AF0	AF1	AF2	AF3	AF4	AF5	AF6
PC0	EVENTOUT						
PC1	EVENTOUT						
PC2	EVENTOUT						
PC3	EVENTOUT						
PC4	EVENTOUT						
PC5	TSI_G2_IO0						
PC6	TIMER2_CH0						
PC7	TIMER2_CH1						
PC8	TIMER2_CH2						
PC9	TIMER2_CH3						
PD2	TIMER2_ETI						
PF0	OSCIN						
PF1	OSCOU						
PF4	SPI1_NSS, EVENTOUT						
PF5	EVENTOUT						

3. Functional description

3.1. ARM® Cortex®-M3 core

The Cortex®-M3 processor is the latest generation of ARM® processors for embedded systems. It has been developed to provide a low-cost platform that meets the needs of MCU implementation, with a reduced pin count and low-power consumption, while delivering outstanding computational performance and an advanced system response to interrupts.

- 32-bit ARM® Cortex®-M3 processor core
- Up to 72 MHz operation frequency
- Single-cycle multiplication and hardware divider
- Integrated Nested Vectored Interrupt Controller (NVIC)
- 24-bit SysTick timer

The Cortex®-M3 processor is based on the ARMv7 architecture and supports both Thumb and Thumb-2 instruction sets. Some system peripherals listed below are also provided by Cortex®-M3:

- Internal Bus Matrix connected with ICode bus, DCode bus, system bus, Private Peripheral Bus (PPB) and debug accesses (AHB-AP)
- Nested Vectored Interrupt Controller (NVIC)
- Flash Patch and Breakpoint (FPB)
- Data Watchpoint and Trace (DWT)
- Instrument Trace Macrocell (ITM)
- Serial Wire JTAG Debug Port (SWJ-DP)
- Trace Port Interface Unit (TPIU)

3.2. On-chip memory

- Up to 64 Kbytes of Flash memory
- Up to 8 Kbytes of SRAM with hardware parity checking

The ARM® Cortex®-M3 processor is structured in Harvard architecture which can use separate buses to fetch instructions and load/store data. 64 Kbytes of inner Flash and 8 Kbytes of inner SRAM at most is available for storing programs and data, both accessed (R/W) at CPU clock speed with zero wait states. The [Table 2-2. GD32F150xx memory map](#) shows the memory map of the GD32F150xx series of devices, including code, SRAM, peripheral, and other pre-defined regions.

3.3. Clock, reset and supply management

- Internal 8 MHz factory-trimmed RC and external 4 to 32 MHz crystal oscillator
- Internal 40 KHz RC calibrated oscillator and external 32.768 KHz crystal oscillator

- Integrated system clock PLL
- 2.6 to 3.6 V application supply and I/Os
- Supply Supervisor: POR (Power On Reset), PDR (Power Down Reset), and low voltage detector (LVD)

The Clock Control Unit (CCU) provides a range of oscillator and clock functions. These include speed internal RC oscillator and external crystal oscillator, high speed and low speed two types. Several prescalers allow the frequency configuration of the AHB and two APB domains. The maximum frequency of the AHB and two APB domains is 72 MHz. See [Figure 2-6. GD32F150xx clock tree](#) for details on the clock tree.

GD32F1x0 Reset Control includes the control of three kinds of reset: power reset, system reset and backup domain reset. A system reset resets the processor core and peripheral IP components with the exception of the SW-DP controller and the Backup domain. Power-on reset (POR) and power-down reset (PDR) are always active, and ensures proper operation starting from 2.6 V and down to 1.8V. The device remains in reset mode when V_{DD} is below a specified threshold. The embedded low voltage detector (LVD) monitors the power supply, compares it to the voltage threshold and generates an interrupt as a wake up message for leading the MCU into security.

Power supply schemes:

- V_{DD} range: 2.6 to 3.6 V, external power supply for I/Os and the internal regulator. Provided externally through V_{DD} pins.
- V_{SSA} , V_{DDA} range: 2.6 to 3.6 V, external analog power supplies for ADC, reset blocks, RCs and PLL. V_{DDA} and V_{SSA} must be connected to V_{DD} and V_{SS} , respectively.
- V_{BAT} range: 1.8 to 3.6 V, power supply for RTC, external clock 32 KHz oscillator and backup registers (through power switch) when V_{DD} is not present.

3.4. Boot modes

At startup, boot pins are used to select one of three boot options:

- Boot from main Flash memory (default)
- Boot from system memory
- Boot from on-chip SRAM

In default condition, boot from main Flash memory is selected. The boot loader is located in the internal boot ROM memory (system memory). It is used to reprogram the Flash memory by using USART0 (PA9 and PA10) or USART1 (PA2 and PA3, PA14 and PA15).

3.5. Power saving modes

The MCU supports three kinds of power saving modes to achieve even lower power consumption. They are sleep mode, deep-sleep mode, and standby mode. These operating modes reduce the power consumption and allow the application to achieve the best balance

between the CPU operating time, speed and power consumption.

- **Sleep mode**

In sleep mode, only the clock of CPU core is off. All peripherals continue to operate and any interrupt/event can wake up the system.

- **Deep-sleep mode**

In deep-sleep mode, all clocks in the 1.2V domain are off, and all of the high speed crystal oscillator (IRC8M, HXTAL) and PLL are disabled. Only the contents of SRAM and registers are retained. Any interrupt or wakeup event from EXTI lines can wake up the system from the deep-sleep mode including the 16 external lines, the RTC alarm, the LVD output, the CMP0&1 output, the USBDM wakeup, the RTC tamper and Timestamp, the USART0 wakeup and the CEC wakeup. When exiting the deep-sleep mode, the IRC8M is selected as the system clock.

- **Standby mode**

In standby mode, the whole 1.2V domain is power off, the LDO is shut down, and all of IRC8M, HXTAL and PLL are disabled. The contents of SRAM and registers (except Backup registers) are lost. There are four wakeup sources for the standby mode, including the external reset from NRST pin, the RTC alarm, the FWDGT reset, and the rising edge on WKUP pin.

3.6. Analog to digital converter (ADC)

- 12-bit SAR ADC engine with up to 1 MSPS conversion rate
- Conversion range: V_{SSA} to V_{DDA} (2.6 to 3.6 V)
- Temperature sensor

One 12-bit 1 μ s multi-channel ADC is integrated in the device. It is a total of up to 16 multiplexed external channels and 3 internal channels for temperature sensor, voltage reference, V_{BAT} voltage measurement. The conversion range is between $2.6\text{ V} < V_{DDA} < 3.6\text{ V}$. An analog watchdog block can be used to detect the channels, which are required to remain within a specific threshold window. A configurable channel management block of analog inputs also can be used to perform conversions in single, continuous, scan or discontinuous mode to support more advanced usages. The ADC can be triggered from the events generated by the general timers (TIMERx=1,2,14) and the advanced timer (TIMER0) with internal connection.

The temperature sensor can be used to generate a voltage that varies linearly with temperature. It is internally connected to the ADC_IN16 input channel which is used to convert the sensor output voltage into a digital value. Each device is factory-calibrated to improve the accuracy and the calibration data are stored in the system memory area.

3.7. Digital to analog converter (DAC)

- 12-bit DAC converter of independent output channel

- 8-bit or 12-bit mode in conjunction with the DMA controller

The 12-bit buffered DAC channel is used to generate variable analog outputs. The DAC is designed with integrated resistor strings structure. The DAC channels can be triggered by the timer update outputs or EXTI with DMA support. The maximum output value of the DAC is V_{REF+} .

3.8. DMA

- 7 channel DMA controller
- Peripherals supported: Timers, ADC, SPIs, I2Cs, USARTs, DAC and I2S

The flexible general-purpose DMA controllers provide a hardware method of transferring data between peripherals and/or memory without intervention from the CPU, thereby freeing up bandwidth for other system functions. Three types of access method are supported: peripheral to memory, memory to peripheral, memory to memory.

Each channel is connected to fixed hardware DMA requests. The priorities of DMA channel requests are determined by software configuration and hardware channel number. Transfer size of source and destination are independent and configurable.

3.9. General-purpose inputs/outputs (GPIOs)

- Up to 55 fast GPIOs, all mappable on 16 external interrupt lines
- Analog input/output configurable
- Alternate function input/output configurable

There are up to 55 general purpose I/O pins (GPIO) in GD32F150xx, named PA0 ~ PA15 and PB0 ~ PB15, PC0 ~ PC15, PD2, PF0, PF1, PF4-PF7 to implement logic input/output functions. Each of the GPIO ports has related control and configuration registers to satisfy the requirements of specific applications. The external interrupts on the GPIO pins of the device have related control and configuration registers in the Interrupt/event controller (EXTI). The GPIO ports are pin-shared with other alternative functions (AFs) to obtain maximum flexibility on the package pins. Each of the GPIO pins can be configured by software as output (push-pull or open-drain), as input (with or without pull-up or pull-down) or as peripheral alternate function. Most of the GPIO pins are shared with digital or analog alternate functions. All GPIOs are high-current capable except for analog inputs.

3.10. Timers and PWM generation

- One 16-bit advanced timer (TIMER0), one 32-bit general timer (TIMER1), five 16-bit general timers (TIMER2, TIMER13 ~ TIMER16), and one 16-bit basic timer (TIMER5)
- Up to 4 independent channels of PWM, output compare or input capture for each general timer and external trigger input

- 16-bit, motor control PWM advanced timer with programmable dead-time generation for output match
- Encoder interface controller with two inputs using quadrature decoder
- 24-bit SysTick timer down counter
- 2 watchdog timers (free watchdog timer and window watchdog timer)

The advanced timer (TIMER0) can be used as a three-phase PWM multiplexed on 6 channels. It has complementary PWM outputs with programmable dead-time generation. It can also be used as a complete general timer. The 4 independent channels can be used for input capture, compare match output, generation of PWM waveform (edge-aligned and center-aligned Mode) and single pulse mode output. If configured as a general 16-bit timer, it has the same functions as the TIMEx timer. It can be synchronized with external signals or to interconnect with other general timers together which have the same architecture and features.

The general timer can be used for a variety of purposes including general time, input signal pulse width measurement or output waveform generation such as a single pulse generation or PWM output, up to 4 independent channels for input capture/output compare. TIMER1 is based on a 32-bit auto-reload up/downcounter and a 16-bit prescaler. TIMER2 is based on a 16-bit auto-reload up/downcounter and a 16-bit prescaler. TIMER13 ~ TIMER16 is based on a 16-bit auto-reload upcounter and a 16-bit prescaler. The general timer also supports an encoder interface with two inputs using quadrature decoder.

The basic timer, known as TIMER5, is mainly used for DAC trigger generation. They can also be used as a simple 16-bit time base.

The GD32F150xx have two watchdog peripherals, free watchdog timer and window watchdog timer. They offer a combination of high safety level, flexibility of use and timing accuracy.

The free watchdog timer includes a 12-bit down-counting counter and a 8-bit prescaler, It is clocked from an independent 40 KHz internal RC and as it operates independently of the main clock, it can operate in stop and standby modes. It can be used either as a watchdog to reset the device when a problem occurs, or as a free-running timer for application timeout management.

The window watchdog timer is based on a 7-bit down counter that can be set as free-running. It can be used as a watchdog to reset the device when a problem occurs. It is clocked from the main clock. It has an early wake up interrupt capability and the counter can be frozen in debug mode.

The SysTick timer is dedicated for OS, but could also be used as a standard down counter. The features are shown below:

- A 24-bit down counter
- Auto reload capability
- Maskable system interrupt generation when the counter reaches 0
- Programmable clock source

3.11. Real time clock (RTC)

- Independent binary-coded decimal (BCD) format timer/counter with five 32-bit backup registers
- Calendar with subsecond, seconds, minutes, hours, week day, date, year and month automatically correction
- Alarm function with wake up from deep-sleep and standby mode capability
- On-the-fly correction for synchronization with master clock. Digital calibration with 1 ppm resolution for compensation of quartz crystal inaccuracy

The real time clock is an independent timer which provides a set of continuously running counters in backup registers to provide a real calendar function, and provides an alarm interrupt or an expected interrupt. It is not reset by a system or power reset, or when the device wake up from standby mode. A 20-bit prescaler is used for the time base clock and is by default configured to generate a time base of 1 second from a clock at 32.768 KHz from external crystal oscillator.

3.12. Inter-integrated circuit (I2C)

- Up to two I2Cs bus interfaces can support both master and slave mode with a frequency up to 400 KHz
- Provide arbitration function, optional PEC (packet error checking) generation and checking
- Supports 7-bit and 10-bit addressing mode and general call addressing mode

The I2C interface is an internal circuit allowing communication with an external I2C interface which is an industry standard two line serial interface used for connection to external hardware. These two serial lines are known as a serial data line (SDA) and a serial clock line (SCL). The I2C module provides transfer rate of up to 100 KHz in standard mode and up to 400 KHz in fast mode. The I2C module also has an arbitration detect function to prevent the situation where more than one master attempts to transmit data to the I2C bus at the same time. A CRC-8 calculator is also provided in I2C interface to perform packet error checking for I2C data.

3.13. Serial peripheral interface (SPI)

- Up to two SPIs interfaces with a frequency of up to 18 MHz
- Support both master and slave mode
- Hardware CRC calculation and transmit automatic CRC error checking

The SPI interface uses 4 pins, among which are the serial data input and output lines (MISO & MOSI), the clock line (SCK) and the slave select line (NSS). Both SPIs can be served by the DMA controller. The SPI interface may be used for a variety of purposes, including

simplex synchronous transfers on two lines with a possible bidirectional data line or reliable communication using CRC checking.

3.14. Universal synchronous asynchronous receiver transmitter (USART)

- Up to two USARTs with operating frequency up to 9 MHz
- Supports both asynchronous and clocked synchronous serial communication modes
- IrDA SIR encoder and decoder support
- LIN break generation and detection
- ISO 7816-3 compliant smart card interface

The USART (USART0, USART1) are used to translate data between parallel and serial interfaces, provides a flexible full duplex data exchange using synchronous or asynchronous transfer. It is also commonly used for RS-232 standard communication. The USART includes a programmable baud rate generator which is capable of dividing the system clock to produce a dedicated clock for the USART transmitter and receiver. The USART also supports DMA function for high speed data communication.

3.15. Inter-IC sound (I2S)

- One I2S bus Interfaces with sampling frequency from 8 KHz to 192 KHz, multiplexed with SPI0
- Support either master or slave mode

The Inter-IC sound (I2S) bus provides a standard communication interface for digital audio applications by 3-wire serial lines. GD32F150xx contain an I2S-bus interface that can be operated with 16/32 bit resolution in master mode or slave mode, pin multiplexed with SPI0. The audio sampling frequency from 8 KHz to 192 KHz is supported with less than 0.5% accuracy error.

3.16. HDMI CEC

- Hardware support Consumer Electronics Control (CEC) protocol (HDMI standard rev1.4)

The CEC protocol provides high-level control functions between the audiovisual products linked with HDMI cables. GD32F150xx contain a HDMI-CEC controller which has an Independent clock domain and can wake up the MCU from deep-sleep mode on data reception.

3.17. Universal serial bus full-speed (USBD)

- One full-speed USB Interface with frequency up to 12 Mbit/s
- Internal main PLL for USB CLK compliantly

The Universal Serial Bus (USB) is a 4-wire bus that supports communication between one or more devices. Full-speed peripheral is compliant with the USB 2.0 specification. The device controller enables 12 Mbit/s data exchange with a USB Host controller. Transaction formatting is performed by the hardware, including CRC generation and checking. The status of a completed USB transfer or error condition is indicated by status registers. An interrupt is also generated if enabled. The dedicated 48 MHz clock is generated from the internal main PLL (the clock source must use a HXTAL crystal oscillator) and the operating frequency divided from APB1 should be 12 MHz above.

3.18. Touch sensing interface (TSI)

- Transfer sequence fully controlled by hardware
- 6 fully parallel groups implemented
- 18 IOs configurable for capacitive sensing Channel Pins and 6 for Sample Pins
- Configurable transfer sequence frequency
- Possible to implement the user specific transfer sequences
- Sequence end and error flags / configurable interrupts
- Spread spectrum function implemented

Capacitive sensing technology can be used for the detection of a finger (or any conductive object) presence near an electrode. The capacitive variation of the electrode introduced by the finger can be measured by charging and detecting the voltage across the sampling capacitor. GD32F150xx contain a hardware touch sensing interface (TSI) and only requires few external components to operate. The sensing channels are distributed over 6 analog I/O groups including: Group0 (PA0 ~ PA3), Group1 (PA4 ~ PA7), Group2 (PC5, PB0 ~ PB2), Group3 (PA9 ~ PA12), Group4 (PB3, PB4, PB6, PB7) and Group5 (PB11 ~ PB14),

3.19. Comparators (CMP)

- Two fast rail-to-rail low-power comparators with software configurable
- Programmable reference voltage (internal, external I/O or DAC output pin)

Two Comparators (CMP) are implemented within the devices. Both comparators can wake up from deep-sleep mode to generate interrupts and breaks for the timers and also can be combined as a window comparator. The internal voltage reference is also connected to ADC_IN17 input channel of the ADC.

3.20. Debug mode

- Serial wire JTAG debug port (SWJ-DP)

The ARM® SWJ-DP Interface is embedded and is a combined JTAG and serial wire debug port that enables either a serial wire debug or a JTAG probe to be connected to the target.

3.21. Package and operation temperature

- LQFP64 (GD32F150Rx), LQFP48 (GD32F150Cx), QFN32 (GD32F150Kx) and QFN28 (GD32F150Gx)
- Operation temperature range: -40°C to +85°C (industrial level)

4. Electrical characteristics

4.1. Absolute maximum ratings

The maximum ratings are the limits to which the device can be subjected without permanently damaging the device. Note that the device is not guaranteed to operate properly at the maximum ratings. Exposure to the absolute maximum rating conditions for extended periods may affect device reliability.

Table 4-1. Absolute maximum ratings

Symbol	Parameter	Min	Max	Unit
V_{DD}	External voltage range	$V_{SS} - 0.3$	$V_{SS} + 3.6$	V
V_{DDA}	External analog supply voltage	$V_{SSA} - 0.3$	$V_{SSA} + 3.6$	V
V_{BAT}	External battery supply voltage	$V_{SS} - 0.3$	$V_{SS} + 3.6$	V
V_{IN}	Input voltage on 5V tolerant pin	$V_{SS} - 0.3$	$V_{DD} + 4.0$	V
	Input voltage on other I/O	$V_{SS} - 0.3$	4.0	V
I_{IO}	Maximum current for GPIO pins	—	25	mA
T_A	Operating temperature range	-40	+85	°C
T_{STG}	Storage temperature range	-55	+150	°C
T_J	Maximum junction temperature	—	125	°C

4.2. Recommended DC characteristics

Table 4-2. DC operating conditions

Symbol	Parameter	Conditions	Min	Typ	Max	Unit
V_{DD}	Supply voltage	—	2.6	3.3	3.6	V
V_{DDA}	Analog supply voltage	Same as V_{DD}	2.6	3.3	3.6	V
V_{BAT}	Battery supply voltage	—	1.8	—	3.6	V

4.3. Power consumption

The power measurements specified in the tables represent that code with data executing from on-chip Flash with the following specifications.

Table 4-3. Power consumption characteristics

Symbol	Parameter	Conditions	Min	Typ	Max	Unit	
I _{DD}	Supply current (Run mode)	V _{DD} =V _{DDA} =3.3V, HXTAL=8MHz, System clock=72 MHz, All peripherals enabled	—	26.10	—	mA	
		V _{DD} =V _{DDA} =3.3V, HXTAL=8MHz, System clock =72 MHz, All peripherals disabled	—	17.69	—	mA	
		V _{DD} =V _{DDA} =3.3V, HXTAL=8MHz, System clock =48 MHz, All peripherals enabled	—	17.81	—	mA	
		V _{DD} =V _{DDA} =3.3V, HXTAL=8MHz, System Clock =48 MHz, All peripherals disabled	—	12.21	—	mA	
	Supply current (Sleep mode)	V _{DD} =V _{DDA} =3.3V, HXTAL=8MHz, CPU clock off, System clock =72 MHz, All peripherals enabled	—	14.86	—	mA	
		V _{DD} =V _{DDA} =3.3V, HXTAL=8MHz, CPU clock off, System clock =72 MHz, All peripherals disabled	—	5.19	—	mA	
	Supply current (Deep-Sleep mode)	V _{DD} =V _{DDA} =3.3V, Regulator in run mode,IRC40K on, RTC on, All GPIOs analog mode	—	172.49	—	μA	
		V _{DD} =V _{DDA} =3.3V, Regulator in low power mode,IRC40K on, RTC on, All GPIOs analog mode	—	160.84	—	μA	
	Supply current (Standby mode)	V _{DD} =V _{DDA} =3.3V, LXTAL off,IRC40K on, RTC on	—	7.39	—	μA	
		V _{DD} =V _{DDA} =3.3V, LXTAL off,IRC40K on, RTC off	—	6.93	—	μA	
		V _{DD} =V _{DDA} =3.3V, LXTAL off,IRC40K off, RTC off	—	5.72	—	μA	
	I _{BAT}	Battery supply current	V _{DD} not available, V _{BAT} =3.6 V, LXTAL on with external crystal, RTC on, Higher driving	—	3.12	—	μA
			V _{DD} not available, V _{BAT} =3.3 V, LXTAL on with external crystal, RTC on, Higher driving	—	2.80	—	μA
V _{DD} not available, V _{BAT} =2.6 V, LXTAL on with external crystal, RTC on, Higher driving			—	2.16	—	μA	
V _{DD} not available, V _{BAT} =3.6 V, LXTAL on with external crystal, RTC on, Lower driving			—	1.40	—	μA	
V _{DD} not available, V _{BAT} =3.3 V, LXTAL on with external crystal, RTC on, Lower driving			—	1.29	—	μA	
V _{DD} not available, V _{BAT} =2.6 V, LXTAL on with external crystal, RTC on, Lower driving			—	1.10	—	μA	

4.4. EMC characteristics

EMS (electromagnetic susceptibility) includes ESD (Electrostatic discharge, positive and negative) and FTB (Burst of Fast Transient voltage, positive and negative) testing result is given in the [Table 4-4. EMS characteristics](#), based on the EMS levels and classes compliant with IEC 61000 series standard.

Table 4-4. EMS characteristics

Symbol	Parameter	Conditions	Level/Class
V_{ESD}	Voltage applied to all device pins to induce a functional disturbance	$V_{DD} = 3.3\text{ V}$, $T_A = +25\text{ }^\circ\text{C}$ conforms to IEC 61000-4-2	3B
V_{FTB}	Fast transient voltage burst applied to induce a functional disturbance through 100 pF on V_{DD} and V_{SS} pins	$V_{DD} = 3.3\text{ V}$, $T_A = +25\text{ }^\circ\text{C}$ conforms to IEC 61000-4-4	4A

EMI (Electromagnetic Interference) emission testing result is given in the [Table 4-5. EMI characteristics](#), compliant with IEC 61967-2 standard which specifies the test board and the pin loading.

Table 4-5. EMI characteristics

Symbol	Parameter	Conditions	Tested frequency band	Conditions		Unit
				48M	72M	
S_{EMI}	Peak level	$V_{DD} = 3.3\text{ V}$, $T_A = +25\text{ }^\circ\text{C}$, compliant with IEC 61967-2	0.1 to 2 MHz	<0	<0	dB μ V
			2 to 30 MHz	-3.7	-2.8	
			30 to 130 MHz	-6.5	-8	
			130 MHz to 1GHz	-7	-7	

4.5. Power supply supervisor characteristics

Table 4-6. Power supply supervisor characteristics

Symbol	Parameter	Conditions	Min	Typ	Max	Unit
V_{POR}	Power on reset threshold	PDR_S=0	2.32	2.40	2.48	V
V_{PDR}	Power down reset threshold		2.27	2.35	2.43	V
V_{HYST}	PDR hysteresis		—	0.05	—	V
$T_{RSTTEMP}$	Reset temporization		—	2	—	ms
V_{POR}	Power on reset threshold	PDR_S=1	2.32	2.40	2.48	V
V_{PDR}	Power down reset threshold		1.72	1.80	1.88	V
V_{HYST}	PDR hysteresis		—	0.6	—	V
$T_{RSTTEMP}$	Reset temporization		—	2	—	ms

4.6. Electrical sensitivity

The device is strained in order to determine its performance in terms of electrical sensitivity. Electrostatic discharges (ESD) are applied directly to the pins of the sample. Static latch-up (LU) test is based on the two measurement methods.

Table 4-7. ESD characteristics

Symbol	Parameter	Conditions	Min	Typ	Max	Unit
$V_{ESD(HBM)}$	Electrostatic discharge voltage (human body model)	$T_A=25\text{ }^\circ\text{C}$; JESD22-A114	—	—	5000	V
$V_{ESD(CDM)}$	Electrostatic discharge voltage (charge device model)	$T_A=25\text{ }^\circ\text{C}$; JESD22-C101	—	—	500	V

Table 4-8. Static latch-up characteristics

Symbol	Parameter	Conditions	Min	Typ	Max	Unit
LU	I-test	$T_A=25\text{ }^\circ\text{C}$; JESD78	—	—	± 100	mA
	V_{supply} over voltage		—	—	5.4	V

4.7. External clock characteristics

Table 4-9. High speed crystal oscillator (HXTAL) generated from a crystal/ceramic characteristics

Symbol	Parameter	Conditions	Min	Typ	Max	Unit
f_{HXTAL}	High speed crystal oscillator (HXTAL) frequency	$V_{\text{DD}}=3.3\text{V}$	4	8	32	MHz
C_{HXTAL}	Recommended load capacitance on OSCIN and OSCOUT	—	—	20	30	pF
R_{FHXTAL}	Recommended external feedback resistor between XTALIN and XTALOUT	—	—	200	—	k Ω
D_{HXTAL}	HXTAL oscillator duty cycle	—	48	50	52	%
I_{DDHXTAL}	HXTAL oscillator operating current	$V_{\text{DD}}=3.3\text{V}, T_{\text{A}}=25^{\circ}\text{C}$	—	1.4	—	μA
t_{SUHXTAL}	HXTAL oscillator startup time	$V_{\text{DD}}=3.3\text{V}, T_{\text{A}}=25^{\circ}\text{C}$	—	2	—	ms

Table 4-10. Low speed crystal oscillator (LXTAL) generated from a crystal/ceramic characteristics

Symbol	Parameter	Conditions	Min	Typ	Max	Unit
f_{LXTAL}	Low speed crystal oscillator (LXTAL) frequency	$V_{\text{DD}}=V_{\text{BAT}}=3.3\text{V}$	—	32.768	1000	KHz
C_{LXTAL}	Recommended load capacitance on OSC32IN and OSC32OUT	—	—	—	15	pF
D_{LXTAL}	LXTAL oscillator duty cycle	—	48	50	52	%
I_{DDLXTAL}	LXTAL oscillator operating current	$V_{\text{DD}}=V_{\text{BAT}}=3.3\text{V}$	—	1.4	—	μA
t_{SULXTAL}	LXTAL oscillator startup time	$V_{\text{DD}}=V_{\text{BAT}}=3.3\text{V}$	—	3	—	s

4.8. Internal clock characteristics

Table 4-11. Internal 8 MHz RC oscillator (IRC8M) characteristics

Symbol	Parameter	Conditions	Min	Typ	Max	Unit
f_{IRC8M}	Internal 8 MHz RC oscillator (IRC8M) frequency	$V_{DD}=3.3V$	—	8	—	MHz
ACC_{IRC8M}	IRC8M oscillator Frequency accuracy, Factory-trimmed	$V_{DD}=3.3V, T_A=-40^{\circ}C \sim +105^{\circ}C$	-2.5	—	+1.5	%
		$V_{DD}=3.3V, T_A=0^{\circ}C \sim +85^{\circ}C$	-1.2	—	+1.2	%
		$V_{DD}=3.3V, T_A=25^{\circ}C$	-1	—	+1	%
D_{IRC8M}	IRC8M oscillator duty cycle	$V_{DD}=3.3V, f_{IRC8M}=8MHz$	48	50	52	%
$I_{DDIRC8M}$	IRC8M oscillator operating current	$V_{DD}=3.3V, f_{IRC8M}=8MHz$	—	80	100	μA
$t_{SUIRC8M}$	IRC8M oscillator startup time	$V_{DD}=3.3V, f_{IRC8M}=8MHz$	1	—	2	μs

Table 4-12. Internal 40KHz RC oscillator (IRC40K) characteristics

Symbol	Parameter	Conditions	Min	Typ	Max	Unit
f_{IRC40K}	Internal 40KHz RC oscillator (IRC40K) frequency	$V_{DD}=V_{BAT}=3.3V, T_A=-40^{\circ}C \sim +85^{\circ}C$	30	40	60	KHz
$I_{DDIRC40K}$	IRC40K oscillator operating current	$V_{DD}=V_{BAT}=3.3V, T_A=25^{\circ}C$	—	1	2	μA
$t_{SUIRC40K}$	IRC40K oscillator startup time	$V_{DD}=V_{BAT}=3.3V, T_A=25^{\circ}C$	—	—	80	μs

4.9. PLL characteristics

Table 4-13. PLL characteristics

Symbol	Parameter	Conditions	Min	Typ	Max	Unit
f_{PLLIN}	PLL input clock frequency		1	8	25	MHz
f_{PLL}	PLL output clock frequency		16	—	72	MHz
t_{LOCK}	PLL lock time		—		200	μ s
Jitter _{PLL}	Cycle to cycle Jitter				300	ps

4.10. Memory characteristics

Table 4-14. Flash memory characteristics

Symbol	Parameter	Conditions	Min	Typ	Max	Unit
PE _{CYC}	Number of guaranteed program /erase cycles before failure (Endurance)	$T_A = -40^{\circ}\text{C} \sim +85^{\circ}\text{C}$	100	—	—	kcycles
t_{RET}	Data retention time	$T_A = 125^{\circ}\text{C}$	20	—	—	years
t_{PROG}	Word programming time	$T_A = -40^{\circ}\text{C} \sim +85^{\circ}\text{C}$	200	—	400	us
t_{ERASE}	Page erase time	$T_A = -40^{\circ}\text{C} \sim +85^{\circ}\text{C}$	60	100	450	ms
t_{MERASE}	Mass erase time	$T_A = -40^{\circ}\text{C} \sim +85^{\circ}\text{C}$	3.2	—	9.6	s

4.11. GPIO characteristics

Table 4-15. I/O port characteristics

Symbol	Parameter	Conditions	Min	Typ	Max	Unit
V_{IL}	Standard IO Low level input voltage	$V_{DD} = 2.6\text{V}$	-0.3	—	0.95	V
	5V-tolerant IO Low level input voltage	$V_{DD} = 2.6\text{V}$	-0.3	—	0.9	V
V_{IH}	Standard IO High level input voltage	$V_{DD} = 2.6\text{V}$	1.2	—	4.0	V
	5V-tolerant IO High level input voltage	$V_{DD} = 2.6\text{V}$	1.5	—	5.5	V
V_{OL}	Low level output voltage	$V_{DD} = 2.6\text{V}$	—	—	0.2	V
V_{OH}	High level output voltage	$V_{DD} = 2.6\text{V}$	2.3	—	—	V
R_{PU}	Internal pull-up resistor	$V_{IN} = V_{SS}$	30	40	50	k Ω
R_{PD}	Internal pull-down resistor	$V_{IN} = V_{DD}$	30	40	50	k Ω

4.12. ADC characteristics

Table 4-16. ADC characteristics

Symbol	Parameter	Conditions	Min	Typ	Max	Unit
V_{DDA}	Operating voltage		2.6	3.3	3.6	V
V_{IN}	ADC input voltage range		0	—	V_{DDA}	V
f_{ADC}	ADC clock		0.6	—	14	MHz
f_s	Sampling rate		—	—	1	MHz
$f_{ADCCONV}$	ADC conversion time	$f_{ADC} = 14\text{MHz}$	1	—	18	μs
R_{ADC}	Input sampling switch resistance		—	—	0.2	k Ω
C_{ADC}	Input sampling capacitance	No pin/pad capacitance included	—	32	—	pF
t_{SU}	Startup time		—	—	1	μs

4.13. DAC characteristics

Table 4-17. DAC characteristics

Symbol	Parameter	Conditions	Min	Typ	Max	Unit
V_{DDA}	Operating voltage		2.6	3.3	3.6	V
V_{DACIN}	DAC input voltage range		0	—	V_{REF+}	V
R_{LOAD}	Load resistance	Resistive load vs. VSSA with buffer ON	5	—	—	k Ω
C_{LOAD}	Load capacitance	No pin/pad capacitance included	—	—	50	pF
DNE	Differential non-linearity error	DAC in 12-bit	—	—	± 3	LSB
INL	Integral non-linearity	DAC in 12-bit	—	—	± 4	LSB
Offset	Offset error	DAC in 12-bit, $V_{REF+} = 3.6\text{ V}$	—	—	± 12	LSB
GE	Gain error	DAC in 12-bit	—	—	± 0.5	%

4.14. I2C characteristics

Table 4-18. I2C characteristics

Symbol	Parameter	Conditions	Standard mode		Fast mode		Unit
			Min	Max	Min	Max	
f_{SCL}	SCL clock frequency		0	100	0	400	KHz
$t_{SCL(H)}$	SCL clock high time		4.0	—	0.6	—	ns
$t_{SCL(L)}$	SCL clock low time		4.7	—	1.3	—	ns

4.15. SPI characteristics

Table 4-19. Standard SPI characteristics

Symbol	Parameter	Conditions	Min	Typ	Max	Unit
f _{SCK}	SCK clock frequency		—	—	18	MHz
t _{SCK(H)}	SCK clock high time		19	—	—	ns
t _{SCK(L)}	SCK clock low time		19	—	—	ns
SPI master mode						
t _{V(MO)}	Data output valid time		—	—	25	ns
t _{H(MO)}	Data output hold time		2	—	—	ns
t _{SU(MI)}	Data input setup time		5	—	—	ns
t _{H(MI)}	Data input hold time		5	—	—	ns
SPI slave mode						
t _{SU(NSS)}	NSS enable setup time	f _{PCLK} =54MHz	74	—	—	ns
t _{H(NSS)}	NSS enable hold time	f _{PCLK} =54MHz	37	—	—	ns
t _{A(SO)}	Data output access time	f _{PCLK} =54MHz	0	—	55	ns
t _{DIS(SO)}	Data output disable time		3	—	10	ns
t _{V(SO)}	Data output valid time		—	—	25	ns
t _{H(SO)}	Data output hold time		15	—	—	ns
t _{SU(SI)}	Data input setup time		5	—	—	ns
t _{H(SI)}	Data input hold time		4	—	—	ns

5. Package information

5.1. QFN package outline dimensions

Figure 5-1. QFN package outline

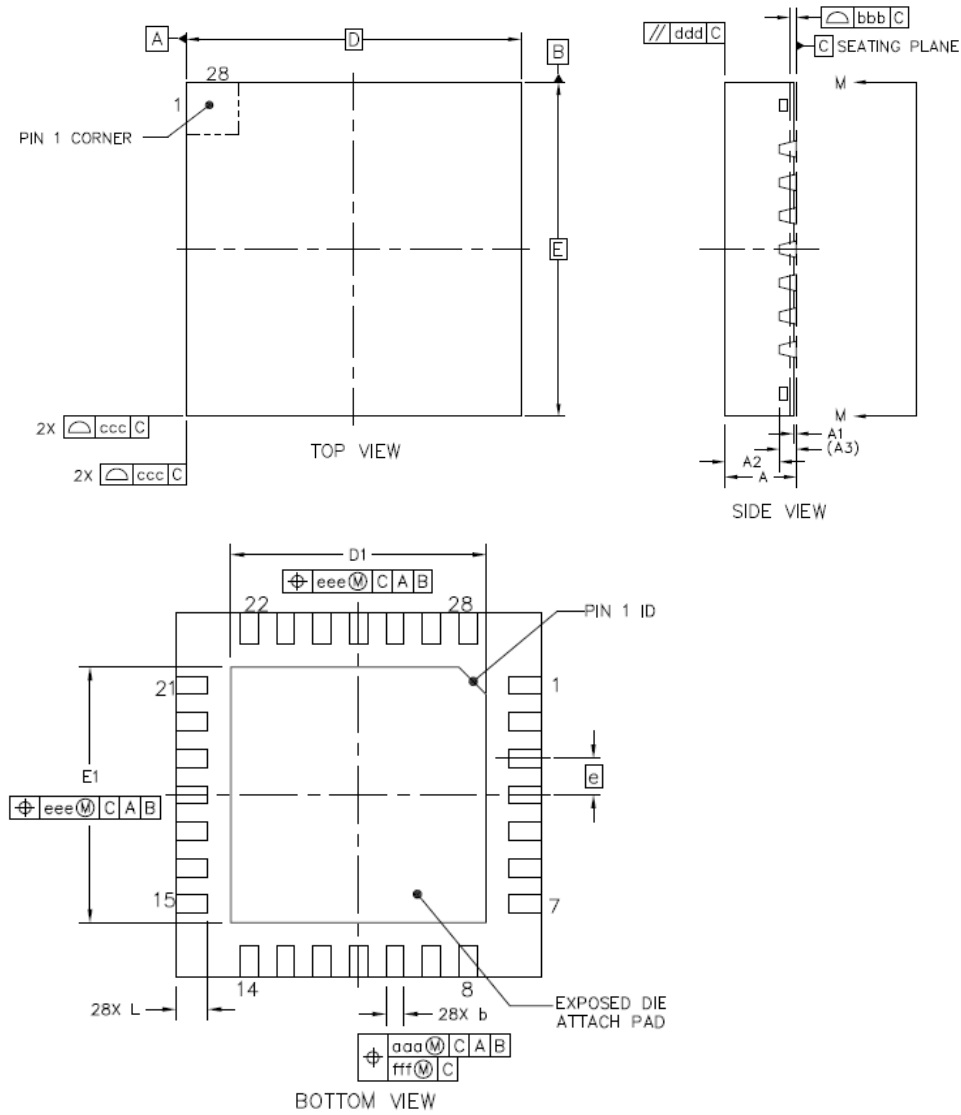


Table 5-1. QFN package dimensions

Symbol	QFN28			QFN32		
	Min	Typ	Max	Min	Typ	Max
A	0.8	0.85	0.9	0.8	0.85	0.9
A1	0	0.035	0.05	0	0.035	0.05
A2	-	0.65	0.67	-	0.65	0.67
A3	-	0.203	-	-	0.203	-
D	-	4.0	-	-	5.0	-
E	-	4.0	-	-	5.0	-
D1	2.7	2.8	2.9	3.4	3.5	3.6
E1	2.7	2.8	2.9	3.4	3.5	3.6
L	0.25	0.35	0.45	0.3	0.4	0.5
e	0.4			0.5		
b	0.15	0.2	0.25	0.2	0.25	0.3

(Original dimensions are in millimeters)

5.2. LQFP package outline dimensions

Figure 5-2. LQFP package outline

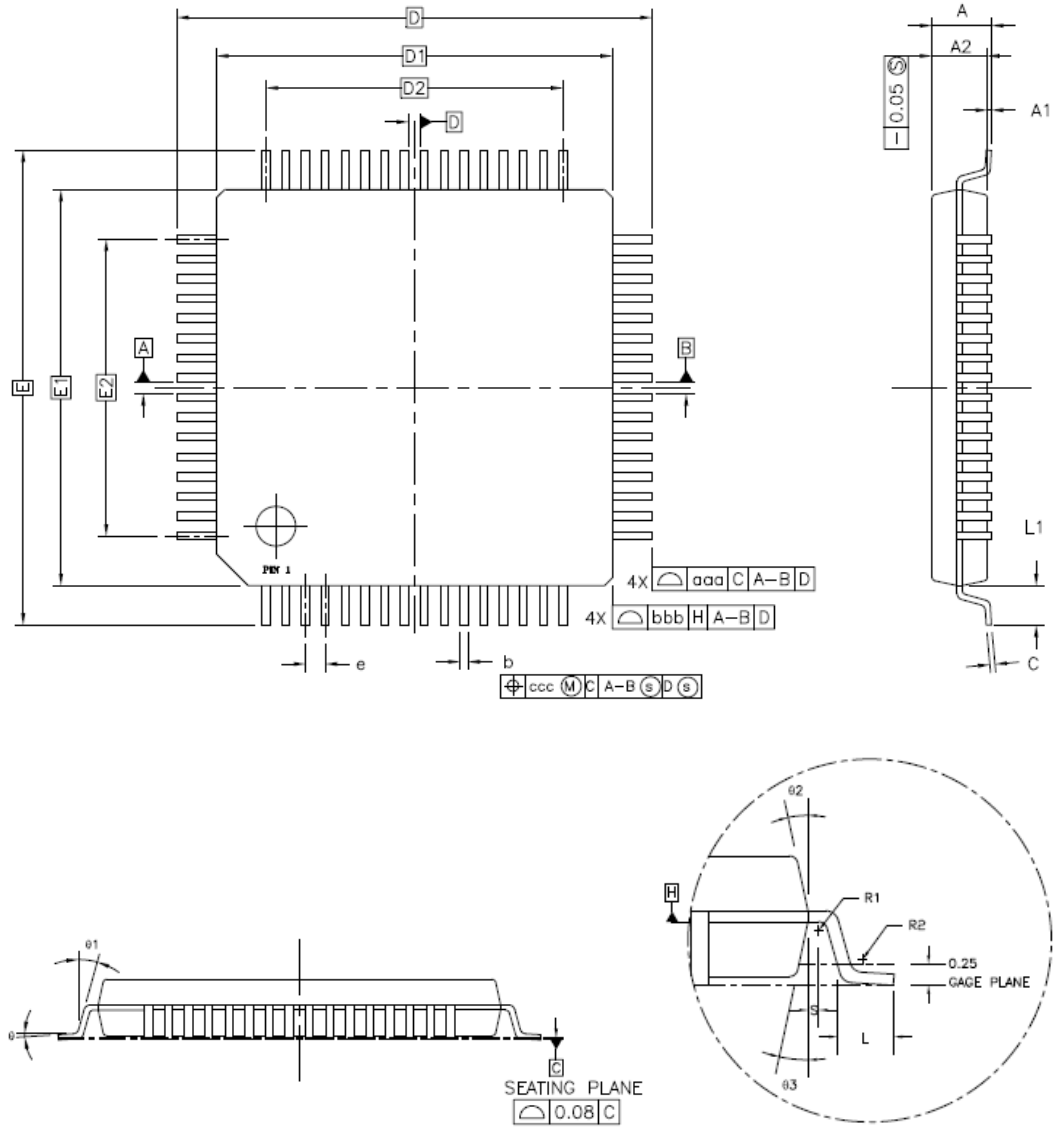


Table 5-2. LQFP package dimensions

Symbol	LQFP48			LQFP64		
	Min	Typ	Max	Min	Typ	Max
A	-	-	1.20	-	-	1.60
A1	0.05	-	0.15	0.05	-	0.15
A2	0.95	1.00	1.05	1.35	1.40	1.45
D	-	9.00	-	-	12.00	-
D1	-	7.00	-	-	10.00	-
E	-	9.00	-	-	12.00	-
E1	-	7.00	-	-	10.00	-
R1	0.08	-	-	0.08	-	-
R2	0.08	-	0.20	0.08	-	0.20
θ	0°	3.5°	7°	0°	3.5°	7°
θ_1	0°	-	-	0°	-	-
θ_2	11°	12°	13°	11°	12°	13°
θ_3	11°	12°	13°	11°	12°	13°
c	0.09	-	0.20	0.09	-	0.20
L	0.45	0.60	0.75	0.45	0.60	0.75
L1	-	1.00	-	-	1.00	-
S	0.20	-	-	0.20	-	-
b	0.17	0.22	0.27	0.17	0.20	0.27
e	-	0.50	-	-	0.50	-
D2	-	5.50	-	-	7.50	-
E2	-	5.50	-	-	7.50	-
aaa	0.20			0.20		
bbb	0.20			0.20		
ccc	0.08			0.08		

(Original dimensions are in millimeters)

6. Ordering information

Table 6-1. Part ordering code for GD32F150xx devices

Ordering code	Flash (KB)	Package	Package type	Temperature operating range
GD32F150G4U6	16	QFN28	Green	Industrial -40°C to +85°C
GD32F150G6U6	32	QFN28	Green	Industrial -40°C to +85°C
GD32F150G8U6	64	QFN28	Green	Industrial -40°C to +85°C
GD32F150K4U6	16	QFN32	Green	Industrial -40°C to +85°C
GD32F150K6U6	32	QFN32	Green	Industrial -40°C to +85°C
GD32F150K8U6	64	QFN32	Green	Industrial -40°C to +85°C
GD32F150C4T6	16	LQFP48	Green	Industrial -40°C to +85°C
GD32F150C6T6	32	LQFP48	Green	Industrial -40°C to +85°C
GD32F150C8T6	64	LQFP48	Green	Industrial -40°C to +85°C
GD32F150R4T6	16	LQFP64	Green	Industrial -40°C to +85°C
GD32F150R6T6	32	LQFP64	Green	Industrial -40°C to +85°C
GD32F150R8T6	64	LQFP64	Green	Industrial -40°C to +85°C

7. Revision history

Table 7-1. Revision history

Revision No.	Description	Date
1.0	Initial Release	Mar.8, 2014
1.1	Package data updated in Table 5-1. QFN package dimensions and Table 6-1. Part ordering code for GD32F150xx devices	Jun.18, 2014
2.1	Characteristics values updated in Table 4-3. Power consumption characteristics	Oct.20, 2014
3.0	Adapt To New Name Convention	Jan.24, 2018