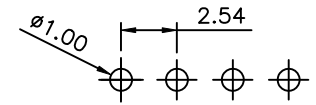
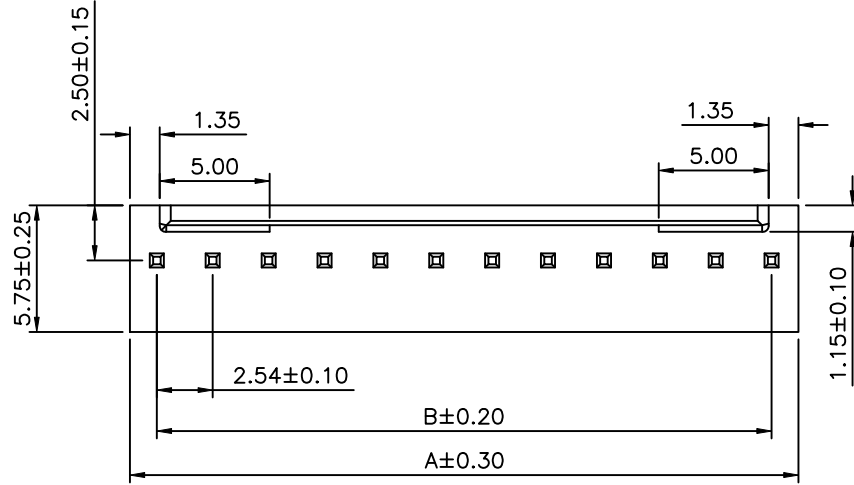
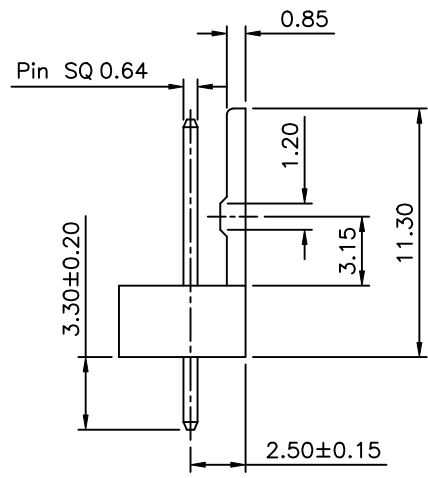
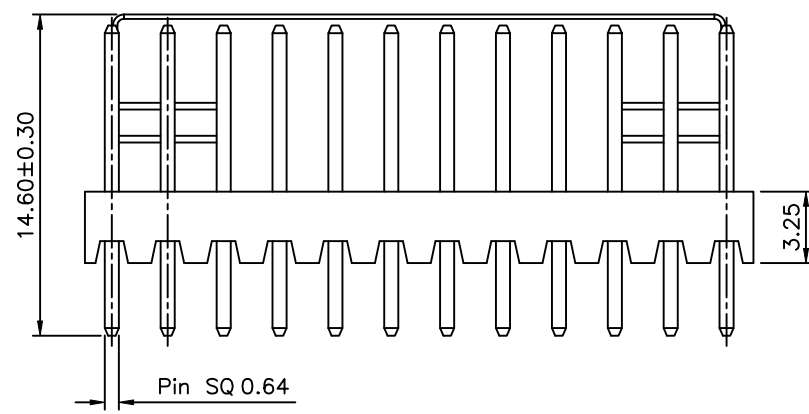


**SPECIFICATIONS**

Current Rating: 2.5A AC,DC  
 Voltage Rating: 250V AC,DC  
 Temperature Range: -25°C ~ +85°C  
 Contact Resistance: 20 Milliohms Max.  
 Insulation Resistance: 1000 Megohms Min.  
 Withstanding Voltage: 1000V AC/Minute  
 Material: PA66,UL 94V-0  
 RoHS Compliant



Recommended P.C.B Layout(Top Side)  
 P.C.B Thickness=1.20mm  
 (Tolerance=±0.05)



Pin	A	B
2	4.98	2.54
3	7.52	5.08
4	10.06	7.62
5	12.60	10.16
6	15.14	12.70
7	17.68	15.24
8	20.22	17.78
9	22.76	20.32
10	25.30	22.86
11	27.84	25.40
12	30.38	27.94
13	32.92	30.48
14	35.46	33.02
15	38.00	35.56
16	40.54	38.10
17	43.08	40.64
18	45.62	43.18
19	48.16	45.72
20	50.70	48.26

**AUK** A MEMBER OF AUK GROUP  
**太聯事業股份有限公司**  
**AUK CONTRACTORS CO., LTD.**

CATEGORY		APPROVED BY		UNLESS OTHERWISE SPECIFIED TOLERANCES ARE 30~ ±0.50 20~30 ±0.30 ~10 ±0.15 ANG ±2°				
PART No. MKXXD-H		MEI						
DRAWING No. MKXXD-H		CHECKED BY HZF						
SCALE NONE		DRAWING BY PEGA						
SCALE	NONE	REV.	A0	UNIT mm	△ A0	NEW RELEASE	HZF	11/29/2006
					NO.REV.	REVISIONS	CHK	DATE