

REVISIONS				
P	LTR	DESCRIPTION	DATE	APVD
A		INITIAL RELEASE	09DEC2021	HH CW

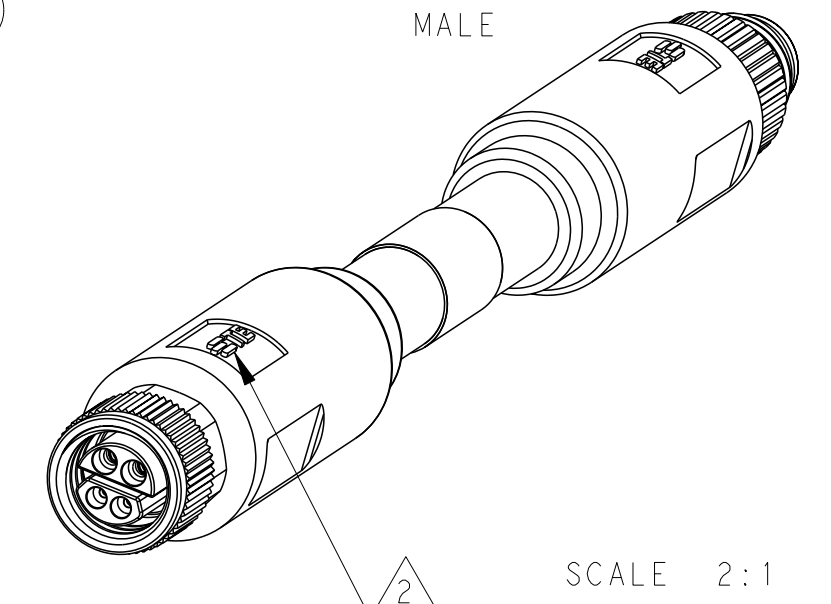
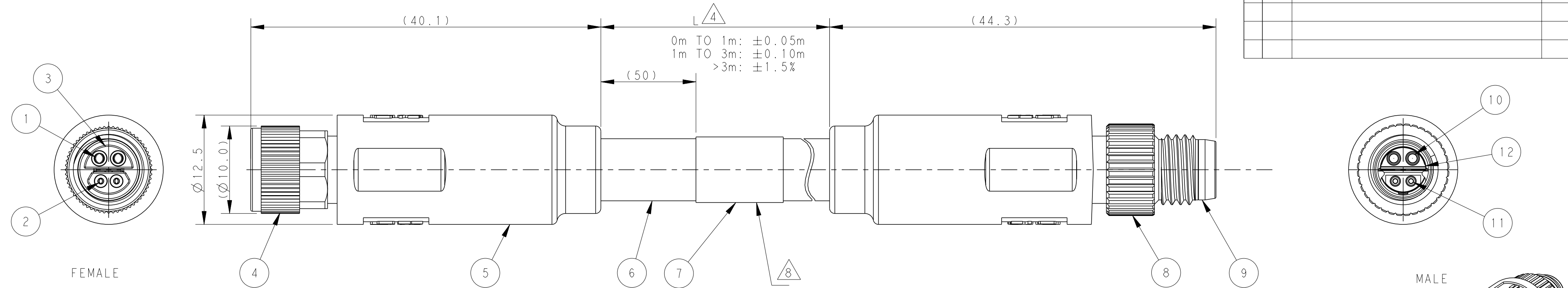


TABLE 1

TECHNICAL DATA	TB114CD4722-XXX
VOLTAGE PROOF	1000VDC(ADJACENT CONTACT) 2250VDC(CONTACT TO SHIELDED)
RATED VOLTAGE	60VDC
RATED CURRENT	8A(POWER CONTACT) 4A(SIGNAL CONTACT)
OVERVOLTAGE CATEGORY	II
MATERIAL GROUP	I
DEGREE OF PROTECTION	IP67
TEMPERATURE RATING	-40°C~85°C

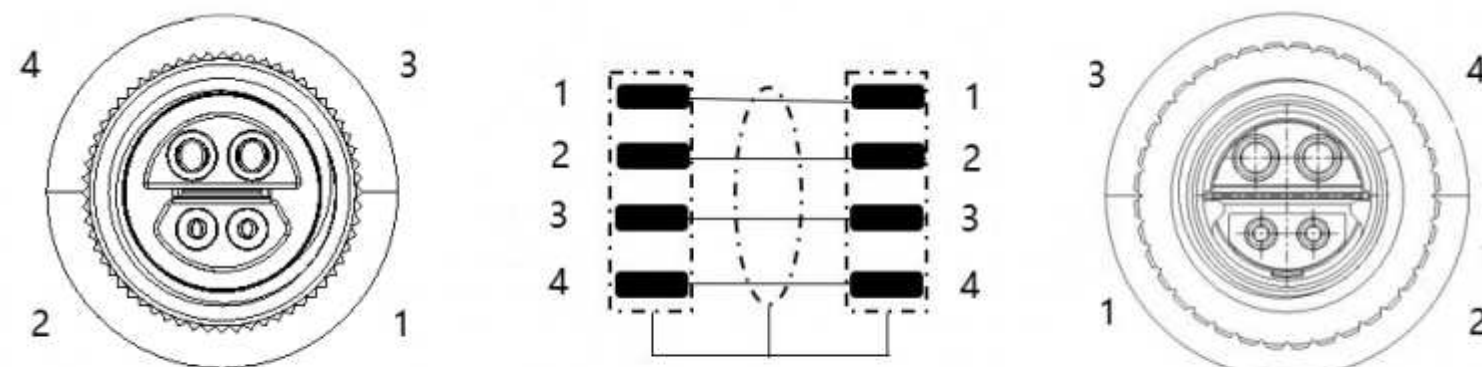
ITEM	DESCRIPTION	MATERIAL	COMMENTS
1	FEMALE POWER PIN	COPPER ALLOY	30U'' GOLD PLATED TO CONTACT AREA
2	FEMALE SIGNAL PIN	COPPER ALLOY	30U'' GOLD PLATING TO CONTACT AREA
3	FEMALE INSERT	PA	BLACK
4	FEMALE NUT	BRASS	NICKEL PLATED
5	OVER-MOLDING HANDLE	POLYAMIDE	BLACK
6	SPE 4 WIRES CABLE	PUR JACKET	BLACK
7	LABEL	-	-
8	MALE NUT	BRASS	NICKEL PLATED
9	MALE METAL BODY	ZINC ALLOY	NICKEL PLATED
10	MALE POWER PIN	COPPER ALLOY	30U'' GOLD PLATED TO CONTACT AREA
11	MALE SIGNAL PIN	COPPER ALLOY	30U'' GOLD PLATED TO CONTACT AREA
12	MALE INSERT	PA	BLACK

NOTES:

1. TECHNICAL DATA: SEE TABLE 1
2. LOGO AREA.
3. RECOMMENDED TORQUE: 0.4Nm
4. SEE TABLE REFER TO LENGTH "L".
5. 100% OPEN AND SHORT CIRCUIT TEST
6. CABLE ASSEMBLY TO BE PACKED TO POLYBAGS.
7. PRODUCT COMPLIES WITH IEC 63171-6
8. LABEL CONTAINS: PN AND DATE CODE
9. PRODUCT COMPLIES WITH ROHS AND REACH.

PIN ARRANGEMENT

- 1-BLUE WIRE
- 2-WHITE WIRE
- 3-RED WIRE
- 4-BLACK WIRE



FEMALE SCALE: 4:1

CIRCUIT DIAGRAM

MALE SCALE: 4:1

SPE HYBRID CABLE: WIRE: 2X22AWG+2X18AWG WIRE COLOR: BLUE/WHITE/BLACK/RED OD: APPROX. 7.1MM	TYPICAL LENGTH: -001: 0.5m -002: 1.0m -004: 3.0m -005: 5.0m -007: 10.0m -150: 15.0m -400: 40.0m	BLACK	PUR	SPE M8 HYBRID CABEL ASSEMBLY FEMALE TO MALE, STRAIGHT	4	TB114CD4722-XXX
CABLE CHARACTERISTIC	LENGTH "L" 4	JACKET COLOR	JACKET MATERIAL	DESCRIPTION	POS.	PART NUMBER

THIS DRAWING IS A CONTROLLED DOCUMENT.

DWN	HE HART	23SEP2020
CHK	WANG CHRIS	23SEP2020
APVD	WANG CHRIS	23SEP2020
PRODUCT SPEC	108-137521	
APPLICATION SPEC	114-137144-1	
MATERIAL	-	
FINISH	-	
WEIGHT	-	
CUSTOMER DRAWING	SCALE 3:1	SHEET 1 OF 1

TE Connectivity

NAME: SPE M8 HYBRID CABLE ASSEMBLY FEMALE TO MALE, STRAIGHT

SIZE: A2 CAGE CODE: 00779 DRAWING NO: TB114CD4722XXX

RESTRICTED TO: A