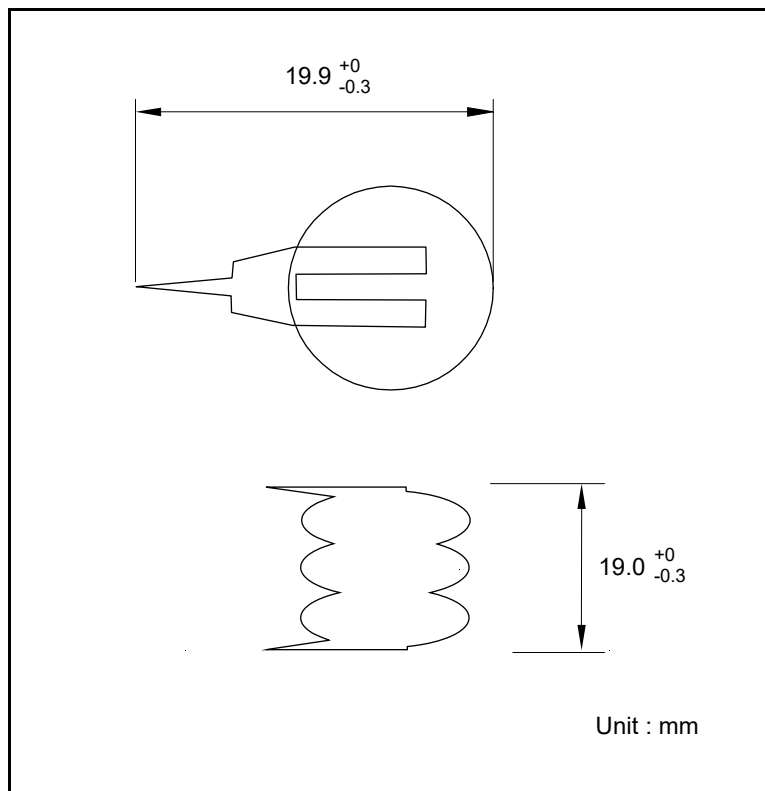


QBAT Industrial Batteries

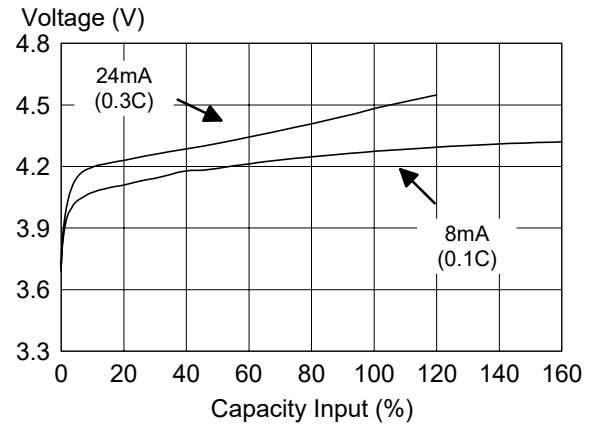
Data Sheet

Model No.: QBAT80BVH3A2H

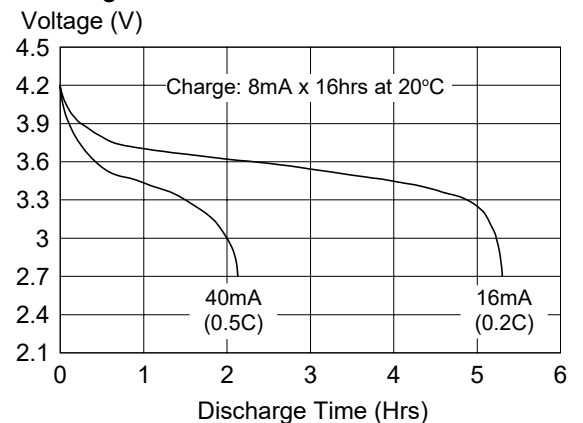
Type	: Rechargeable Nickel Metal Hydride Button Cell		
Nominal Dimension	: $\Phi = 15.5\text{mm}$ H = 6.0mm		
Applications	: Recommended discharge current 0.8 to 40mA		
Nominal Voltage	: 3.6V		
Capacity	: Minimum : 80mAh Typical : 90mAh when discharge at 0.2C to 3.0V at 20°C		
Charging Condition	: 8mA for 16hrs at 20°C		
Service Life	: >500 cycles (IEC standard)		
Continuous Overcharge	: 8mA maximum current for 1 year No conspicuous deformation and/or leakage		
Weight	: 9g		
Internal Resistance	: Under 500m Ω upon fully charged		
Max. Charging Voltage	: 4.5V at 8mA charging		
Ambient Temperature Range	Standard Charging	:	0 to 45°C
	Discharging	:	0 to 45°C
	Storage	:	-20 to 45°C



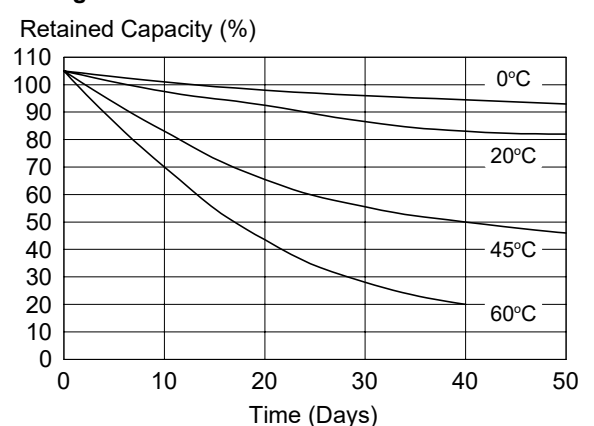
Charge Characteristics



Discharge Characteristics



Charge Retention Characteristics



* The information (subject to change without prior notice) contained in this document is for reference only and should not be used as a basis for product guarantee or warranty. For applications other than those described here, please consult your nearest Sales and Marketing Office or Distributors.

QBAT
INDUSTRIAL
BATTERY