

# CLW 1512 W2E ER series

12V / 1.2A Wall mounted type AC/DC adaptor



## ■ Features:

- Universal AC input / Full range
- ErP step II / CEC level VI compliance
- No load power consumption  $P < 0.075W$
- Protections: Overload / Short circuit / Over Voltage



## ELECTRICAL SPECIFICATION



<b>MODEL</b>	<b>CLW-1512-W2E-ER</b>
--------------	------------------------

### OUTPUT

<b>Rated Voltage</b>	12V
<b>Rated Current</b>	1.2A
<b>Current Range</b>	0 ÷ 1.2A
<b>Rated Power</b>	14.4W
<b>Line Regulation</b>	± 1%
<b>Load Regulation</b>	± 5%
<b>Tolerance [3]</b>	± 8%
<b>Ripple &amp; Noise (max.) [2]</b>	200mV <sub>p-p</sub>
<b>Setup, Rise Time [4]</b>	5000ms, 30ms / 230VAC at full load
<b>Hold up Time (typ.)</b>	4ms / 230VAC at full load

### INPUT

<b>Voltage Range</b>	90 ÷ 264VAC
<b>Frequency Range</b>	47 ÷ 63Hz
<b>Efficiency (typ.)</b>	83.32%
<b>AC Current (typ.)</b>	0.5A / 230VAC
<b>No load Power Consumption (max.)</b>	0.075W

### PROTECTIONS

<b>Overload</b>	Range: 105-200% Auto-recovery.
<b>Short Circuit</b>	Type: hiccup mode, auto-recovery.
<b>Over Voltage</b>	Type: auto-recovery.

# CLW 1512 W2E ER series

12V / 1.2A Wall mounted type AC/DC adaptor



## WORKING ENVIRONMENT

<b>Working Temperature</b>	0°C ÷ 40°C
<b>Working Humidity</b>	5 ÷ 90% RH non-condensing
<b>Storage Temperature and Humidity</b>	-20°C ÷ 85°C, 5 ÷ 90% RH non-condensing

## SAFETY and EMC REGULATIONS

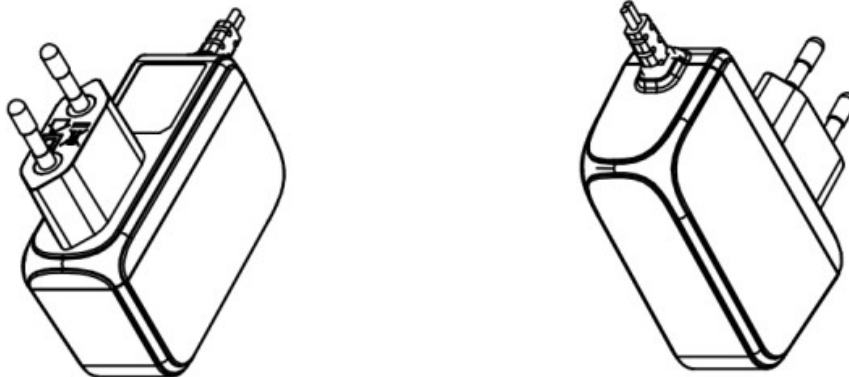
<b>Safety Standards</b>	Compliance to EN 62368
<b>Withstand Voltage</b>	IN/OUT: 3.6kVAC
<b>Isolation Resistance</b>	IN/OUT: 50MΩ/500VDC/25°C/70%
<b>EMC Emission</b>	Compliance to EN55032
<b>EMC Immunity</b>	Compliance to EN61000-4-2, -3, -4, -5
<b>Harmonic Current</b>	Compliance to EN61000-3-3; EN61000-3-2

## OTHERS

<b>DC wire and plug</b>	Wire: 24AWG*2C, length = 1500mm	Plug: 2.1/5.5, positive inside
<b>Dimensions</b>	69,1 x 27.6 x 41.36mm (L x W x H)	
<b>Net Weight</b>	81g	

1. All parameters NOT specially mentioned are measured at 230VAC input, rated load and 25°C of ambient temperature.
2. Ripple & noise are measured at 20MHz of bandwidth by using a 12" twisted pair-wire terminated with a 0.1μF i 47μF parallel capacitor.
3. Tolerance includes set up tolerance, line regulation and load regulation.
4. Setup and rise time is measured from 0 to 90% rated output voltage.
5. Power supply is considered as component not indented to apply by end-user. Power supply meets safety and EMC standards however the final equipment with power supply must be re-quality to comply with EMC Directives.

## MECHANICAL SPECIFICATION

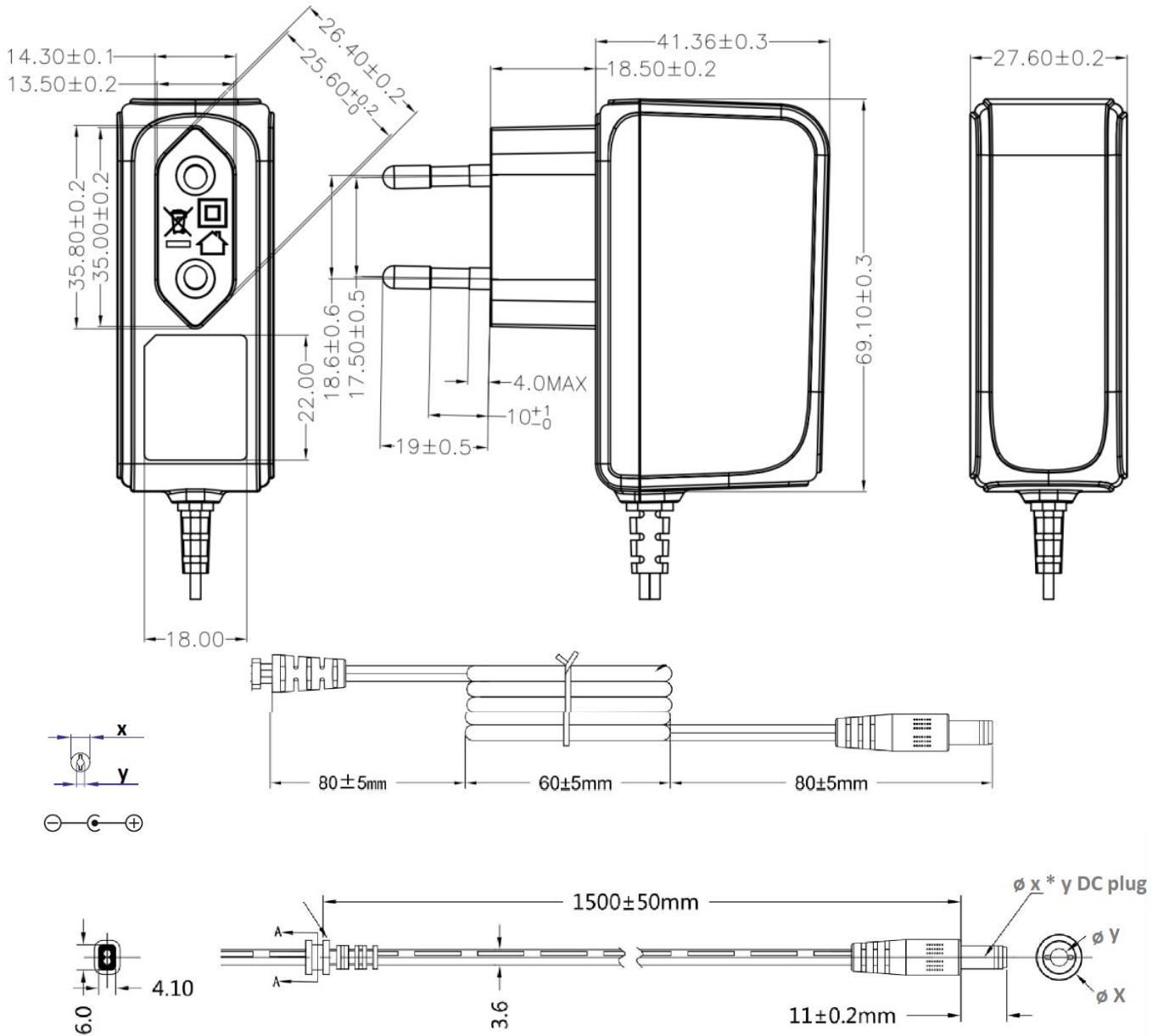


# CLW 1512 W2E ER series

12V / 1.2A Wall mounted type AC/DC adaptor



## MECHANICAL SPECIFICATION



*MODEL	DC PLUG	X [mm]	Y [mm]	Polarity
<b>CLW-1512-W2E-ER</b>	<b>5.5x2.1mm</b>	<b>5.5</b>	<b>2.1</b>	<b>center positive</b>
CLW-1512-W2E-ER25	5.5x2.5mm	5.5	2.5	center positive
CLW-1512-W2E-ER13	3.5x1.3mm	3.5	1.3	center positive
CLW-1512-W2E-ER40	4.0x1.7mm	4.0	1.7	center positive
CLW-1512-W2E-ER48	4.8x1.7mm	4.8	1.7	center positive
CLW-1512-W2E-ER-CN	5.5x2.1mm	5.5	2.1	center negative
CLW-1512-W2E-ER25-CN	5.5x2.5mm	5.5	2.5	center negative
CLW-1512-W2E-ER13-CN	3.5x1.3mm	3.5	1.3	center negative
CLW-1512-W2E-ER40-CN	4.0x1.7mm	4.0	1.7	center negative
CLW-1512-W2E-ER48-CN	4.8x1.7mm	4.8	1.7	center negative