



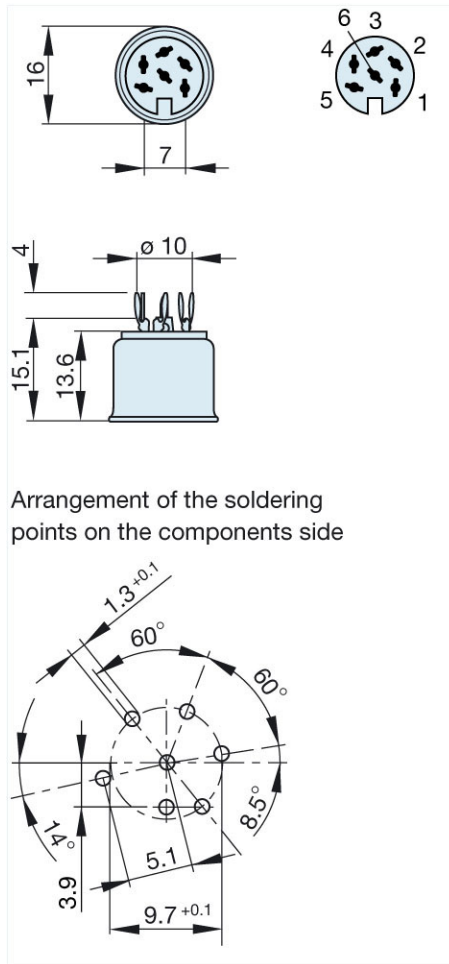
Product information MAB 6 V

Industrial Connecting Solutions: Circular Connectors: Audio/Video Connectors: DIN EN 60 130-09 Connectors (MAS/MAK series): without locking screw: Panel-mounted sockets: MAB 6 V

<https://catalog.beldensolutions.com:443/link/57078-24228-256281-256282-24384-24385-24386-34510/en/conf/uistate>

Name	MAB 6 V
	panel-mounted socket for PCBs; plug-in direction parallel to the PCB
Delivery informations	
Availability	available
Product description	
Type	MAB 6 V
Order No.	930 812-200
Type of contact	female
Description	panel-mounted socket for PCBs; plug-in direction parallel to the PCB
Number of contacts	6
Conductor size	$\leq 0.34 \text{ mm}^2$
Technical data	
LF output "Phone"	EN 60 130-09
Pole arrangement DIN	DIN 45 322
Rated current	4 A
Rated voltage	AC/DC 34 V
Type of termination	solder
Material	
Contact material (socket)	brass
Contact surface material	tin plated
Contact bearer material	PA 66/UL standard 94V-2
Housing material	steel, nickel-plated
Environmental conditions	
Protection class (IEC 60529)	IP 30
Temperature range	-20 °C to +60 °C

Picture
Drawing



Belden Deutschland GmbH
 Im Gewerbepark 2
 58579 Schalksmühle
 Germany
 Phone: +49 7127/14-1806
 E-Mail: icos-sales@belden.com

The information published in the websites has been compiled as carefully as possible. It is subject to alteration without notice in technical as well as in price-related/commercial respect.

