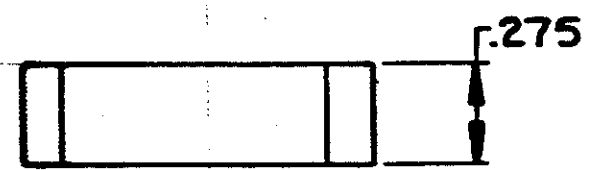
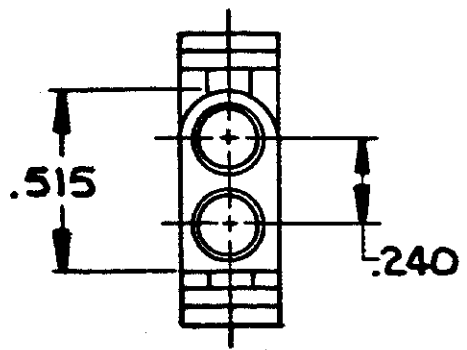
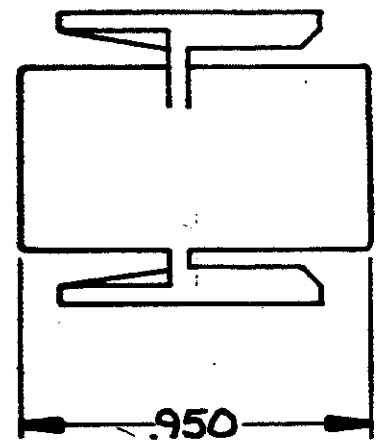
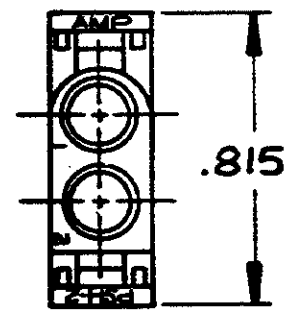


DRAWING MADE IN THIRD ANGLE PROJECTION

THIS DRAWING IS UNPUBLISHED. RELEASED FOR PUBLICATION . 19  
 © COPYRIGHT 19 BY AMP INCORPORATED, HARRISBURG, PA. ALL INTERNATIONAL RIGHTS RESERVED. AMP PRODUCTS MAY BE COVERED BY U.S. AND FOREIGN PATENTS AND/OR PATENTS PENDING.

1 LOC CM DIST 53

REVISIONS						
P	F	ZONE	LTR	DESCRIPTION	DATE	APPROVED
	✓		D	REDRAWN & REVISED PER ECN CM-586	7-29-86	KW/RS



OPTIONAL CONSTRUCTION

- 2. ACCEPTS .140 SERIES SOCKETS.
- 3. MATES WITH CAP 350345.

1-350344-0

UNLESS OTHERWISE SPECIFIED DIMENSIONS ARE IN INCHES. TOLERANCES ON: DECIMALS ± .005 ANGLES ±		CONTRACT NO		AMP   AMP INCORPORATED Harrisburg, Pa.	
MATERIAL NYLON UL94V-2		DESIGNER <i>A. Whitaker</i> 7-29-86		NAME PLUG, 2 CIRCUIT, .140 MATE-N-LOK	
COLOR NATURAL		CHECKER <i>R. Spring</i> 9-2-86		SIZE B	FSCM NO 00779
		APPD <i>M. Shea</i> 9-2-86		DRAWING NO 350344	
		DSGN APPD		SCALE 2:1	SHEET 1 OF 1
		OTHER APPD		PART NO	