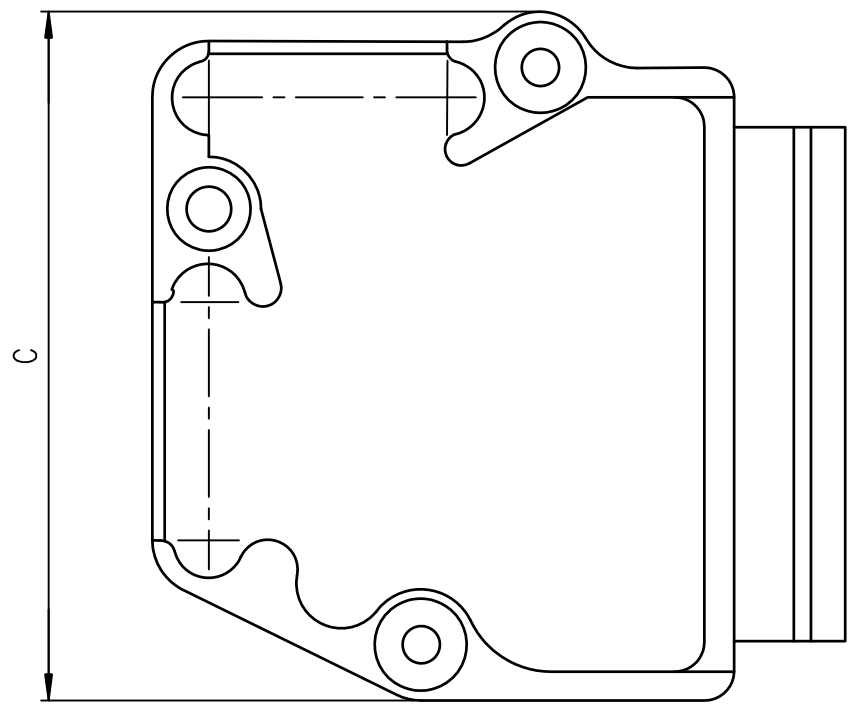
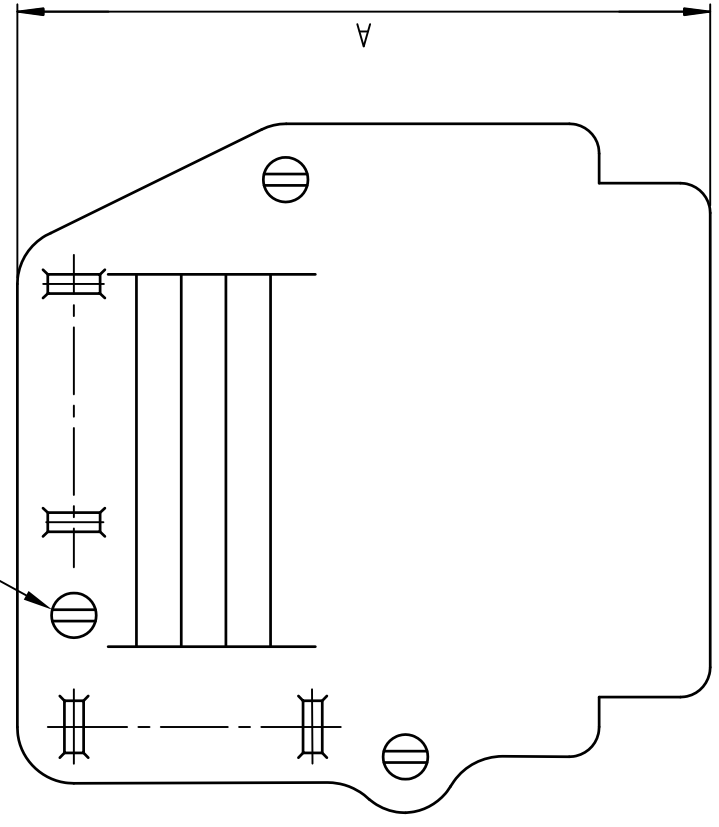


2 Screws for sizes 9&15, 3 for other sizes

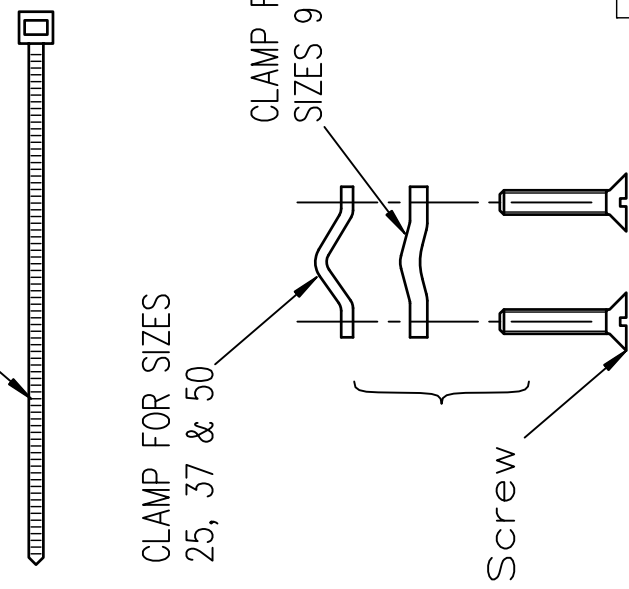


MATERIAL:
Metalized thermoplastic

TEMPERATURE RANGE:
- Climatic category
metallised hood 55°/ +125°
black hood 55°/ +95°

PACKAGING:
Box of 50 individual sets

Tie- Wrap



Bill of material		Hood kit	Kit for 2 exit use
components			
1/2 Hood	2	0	
Screw	2	2	
Tapping Screw	3	0	
Tie Wrap	1	1	
Clamp	1	1	

Shell size	Number of contacts	With clamp		Without clamp		PART NUMBER	
		D±0.2	E mini E maxi	F±0.5	G±0.5	Metalized hood	Kit for 2 exit use *
E	09	6.00	0.25	10.30	8.00	863093C09MLF	863093CEALF
A	15	6.00	0.25	10.30	8.00	863093C15MLF	863093CBCLF
B	25	13.90	2.30	10.30	16.20	863093C25MLF	863093CBCLF
C	37	13.90	2.30	10.30	16.20	863093C37MLF	863093CBCLF
D	50	15.60	3.90	12.60	18.00	863093C50MLF	863093CDLF

Dimensions are in millimeters

* additional accessories to be ordered separately

NOTE: RoHS INFORMATIONS

- The "LF" product meets European union Directives and other country regulations as described in GS-47-0004.
- The product is not intended to be exposed to a manufacturing solder process.
- Packaging spec: see GS-14-920.

mat'l. code		Surface	tolerance	projection	product family
ISO 1302	ISO 406 ISO 1101	ISO 1302	ISO 406 ISO 1101	ISO 1302	D-SUB
tolerances unless otherwise specified		tolerances unless otherwise specified		title	
angles linear		angles linear		UNIVERSAL PLASTIC HOOD	
.X±0.3		.X±0.3		scale 2	
.XX±0.1		.XX±0.1		MM	
.XXX±0.05		.XXX±0.05		scale 2	
LFr	ecn no	dr	date	dwg no	
H	ELX-I-15253	MP	2013/07/16	sheet 1 of 1	size A3
-	-	-	-	C01-8655-1620	
C	LS07-0300	MPE	2007/11/21	type CUSTOMER Drawing	
D	LS07-0319	MPE	2007/12/18	FCI logo	
E	LS07-0321	MPE	2007/12/19	MITHUN PAUL 2013/06/27	
F	111-0091	AMR	2011/05/14	MITHUN PAUL 2013/07/16	
G	ELX-I-15087	MP	2013/06/27	BKJU K PAUL 2013/07/16	
sheet index	revision	H		CUSTOMER Drawing	
Sheet	Sheet	1		CUSTOMER Drawing	