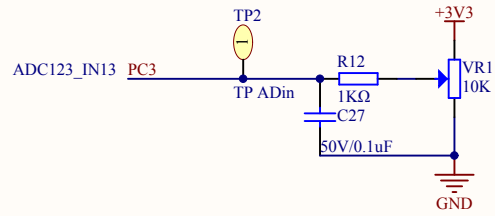
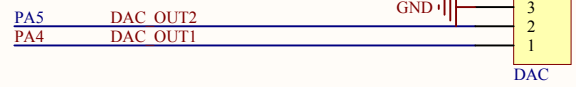


ADC



DAC

PA5 is an AFIO, please refer to SPI Schematic for right config



Company Name: GigaDevice

File Name: AD_DA

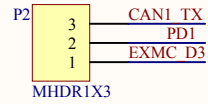
Revision: 1.0

Data: 2013-8-20

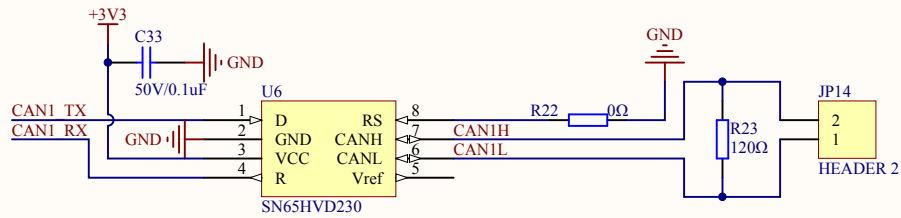
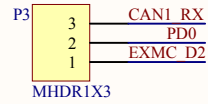
Author: XuFei

CAN

Short P2(1,2) for EXMC function
Short P2(2,3) for CAN1 function

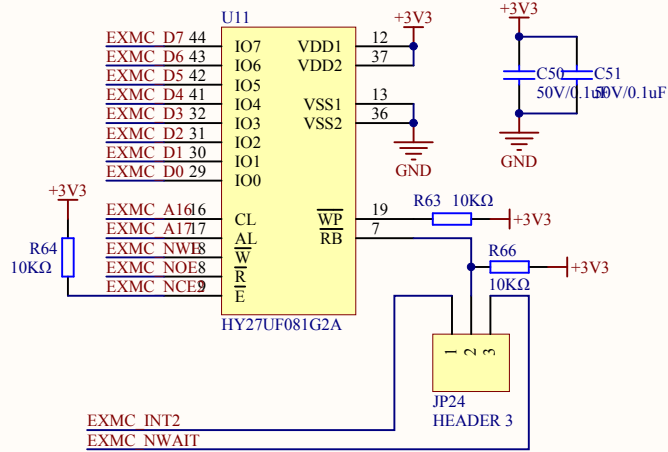


Short P3(1,2) for EXMC function
Short P3(2,3) for CAN1 function

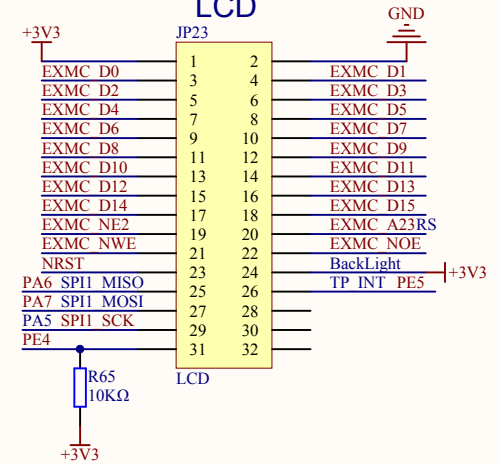


Company Name: GigaDevice		
File Name: CAN		
Revision: 1.0	Data: 2013-7-24	Author: XuFei

Nand Flash



LCD



PD0,PD1 are AFIOs, please refer to CAN schematic for right config

<u>PD14</u>	<u>EXMC D0</u>	<u>PD11</u>	<u>EXMC A16</u>
<u>PD15</u>	<u>EXMC D1</u>	<u>PD12</u>	<u>EXMC A17</u>
<u>PD0</u>	<u>EXMC D2</u>	<u>PE2</u>	<u>EXMC A23</u>
<u>PD1</u>	<u>EXMC D3</u>	<u>PD4</u>	<u>EXMC NOE</u>
<u>PE7</u>	<u>EXMC D4</u>	<u>PD5</u>	<u>EXMC NWE</u>
<u>PE8</u>	<u>EXMC D5</u>	<u>PD6</u>	<u>EXMC NWAIT</u>
<u>PE9</u>	<u>EXMC D6</u>	<u>PD7</u>	<u>EXMC NCE2</u>
<u>PE10</u>	<u>EXMC D7</u>	<u>PG6</u>	<u>EXMC INT2</u>
<u>PE11</u>	<u>EXMC D8</u>	<u>PG9</u>	<u>EXMC NE2</u>
<u>PE12</u>	<u>EXMC D9</u>		
<u>PE13</u>	<u>EXMC D10</u>		
<u>PE14</u>	<u>EXMC D11</u>		
<u>PE15</u>	<u>EXMC D12</u>		
<u>PD8</u>	<u>EXMC D13</u>		
<u>PD9</u>	<u>EXMC D14</u>		
<u>PD10</u>	<u>EXMC D15</u>		

Company Name: GigaDevice

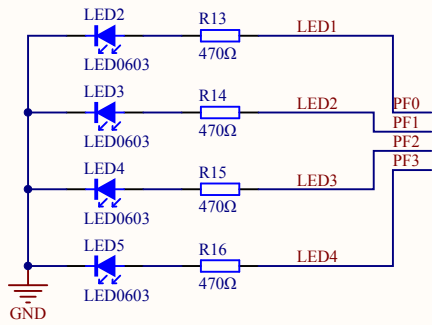
File Name: EXMC

Revision: 1.0

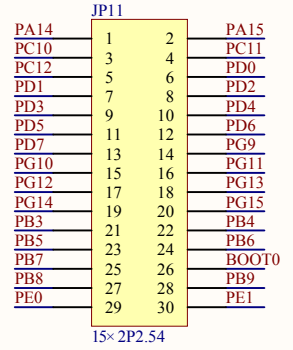
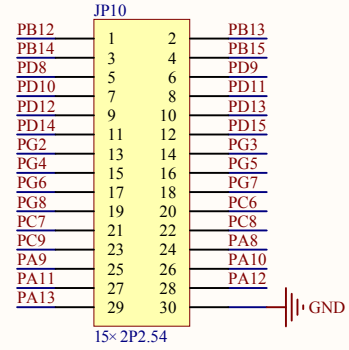
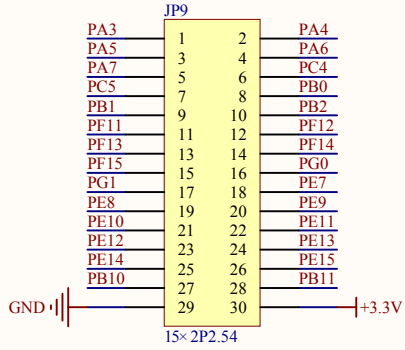
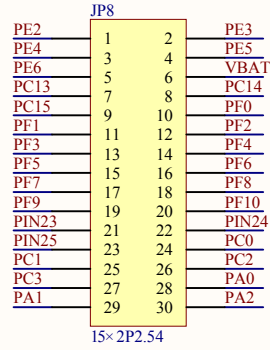
Data: 2013-8-20

Author: XuFei

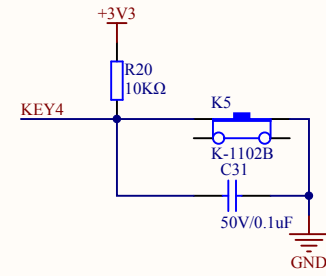
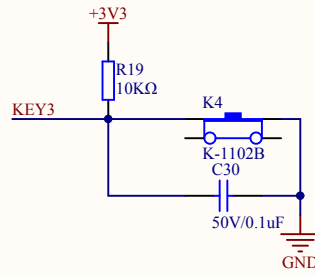
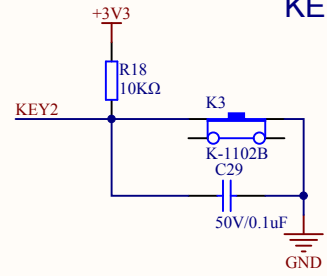
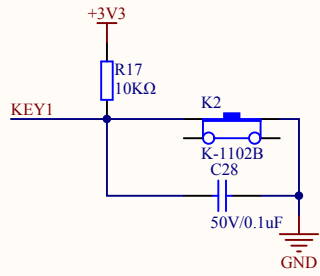
LED



Extension Pin



KEY



- PA0 KEY1
- PC13 KEY2
- PF5 KEY3
- PF4 KEY4

Company Name: GigaDevice

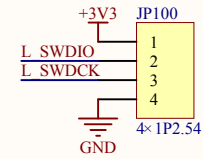
File Name: Extension

Revision: 1.0

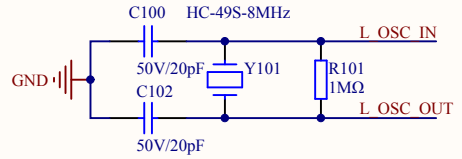
Data: 2013-8-20

Author: XuFei

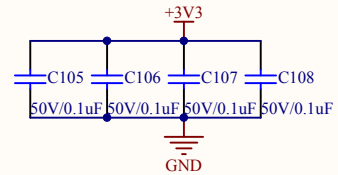
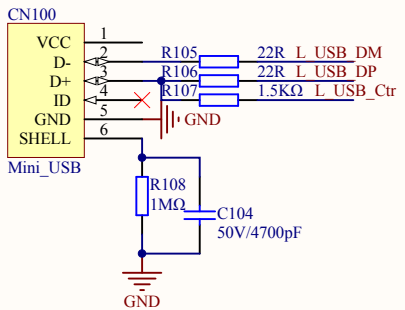
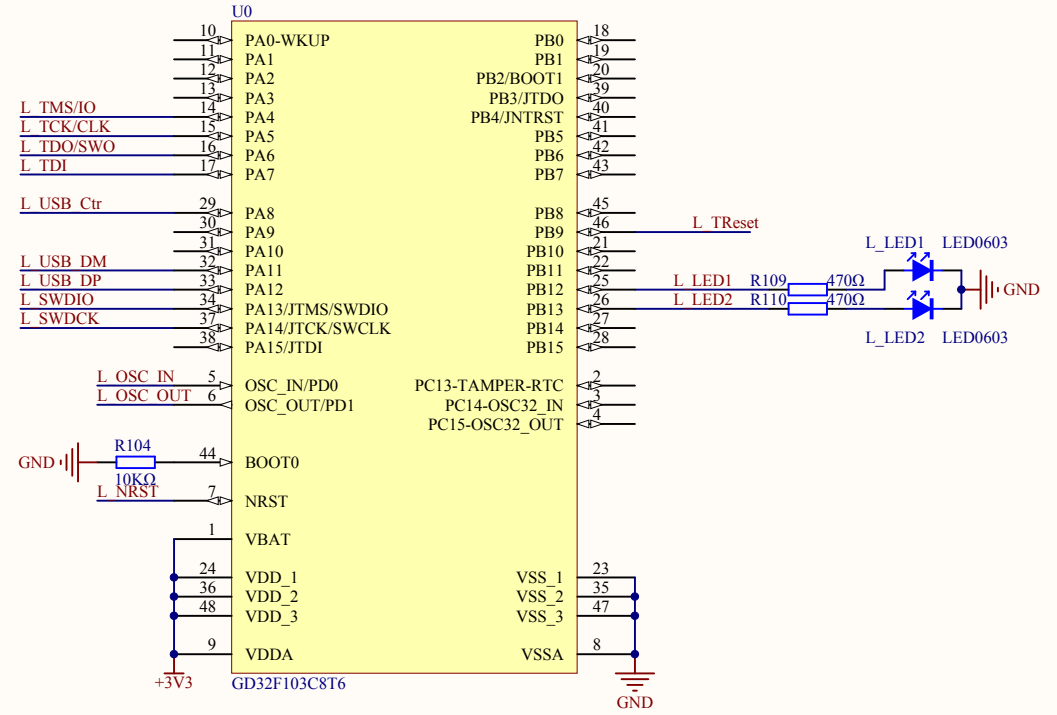
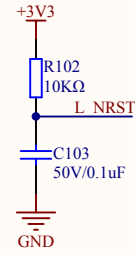
MCU SWD



HSE



Reset



Company Name: GigaDevice

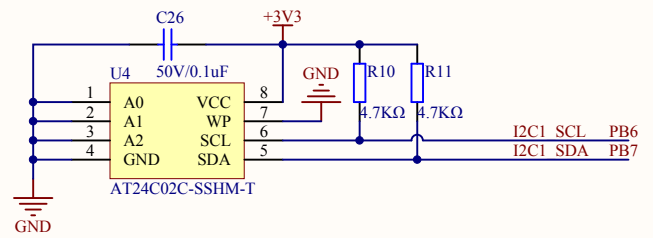
File Name: GDLink

Revision: 1.0

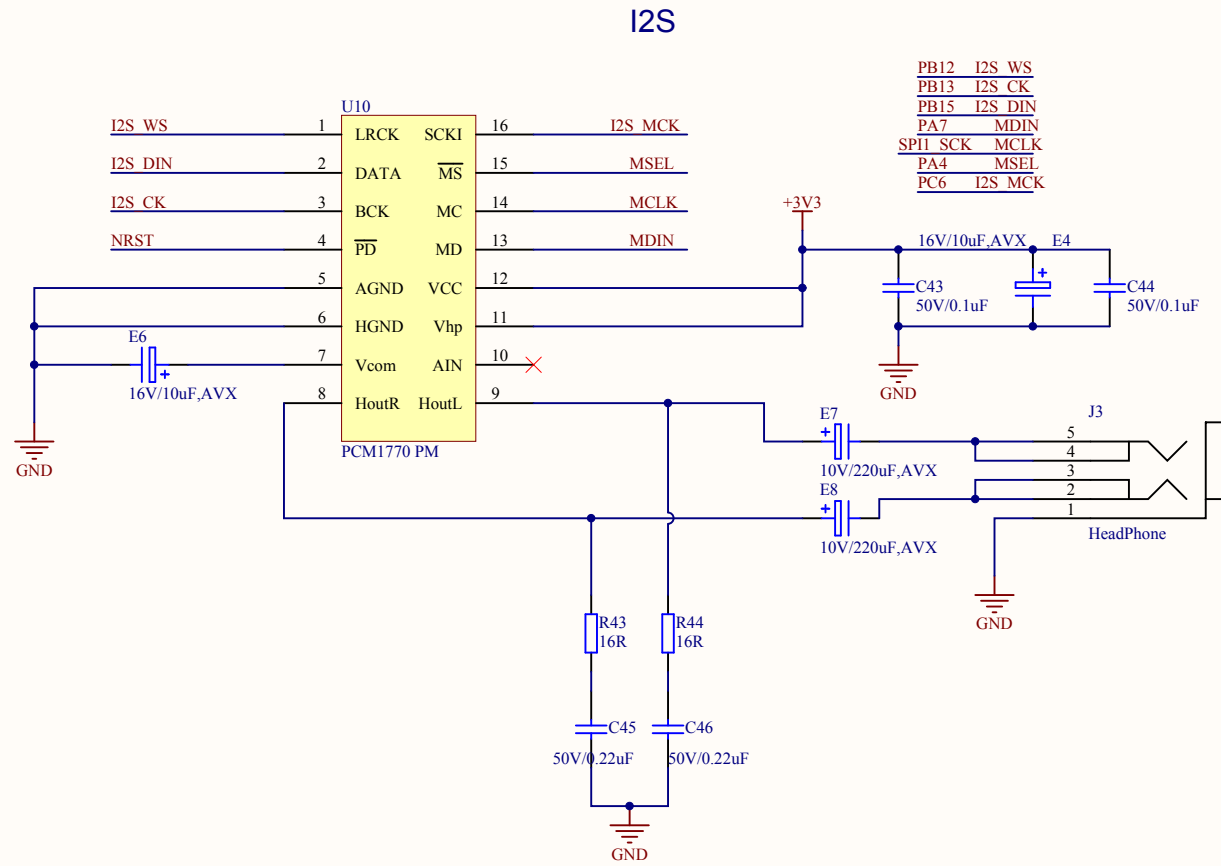
Data: 2015-01-09

Author: XuFei

I2C

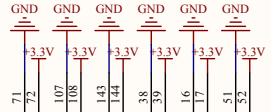
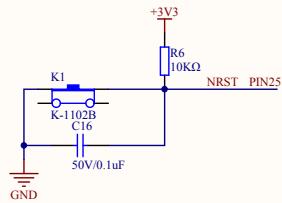
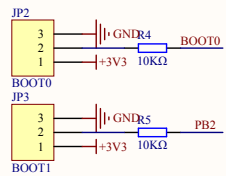
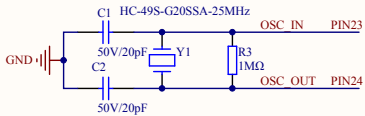
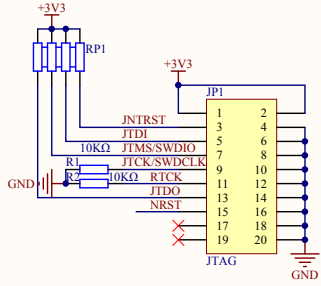


Company Name: GigaDevice		
File Name: I2C_SMbus		
Revision: 1.0	Data: 2013-8-20	Author: XuFei



Company Name: GigaDevice		
File Name: I2S		
Revision: 1.1	Data: 2015-08	Author: Xufei

GDLink	JTAG	PB4
L_TDI	JTDI	PA15
L_TMS/IO	JTMS/SWDIO	PA13
L_TCK/CLK	JTCK/SWDCLK	PA14
L_TDO/SWO	JTDO	PB3
L_TReset	NRST	



PA0	34	PA0 WKUP/USART2_CTS
PA1	35	PA1/USART2_RTS/ADC123_IN1/TIM5_CH2/TIM2_CH2
PA2	36	PA2/USART2_TX/ADC123_IN2/TIM5_CH3/TIM2_CH3
PA3	37	PA3 /USART2_RX/ADC123_IN3/TIM5_CH4/TIM2_CH4
PA4	40	PA4/USART2_CK/ADC12_IN4 /DAC_OUT1 /SPI1_NSS
PA5	41	PA5/DAC_OUT2/ADC12_IN5/SPI1_SCK
PA6	42	PA6/SPI1_MISO/TIM8_BKIN/ADC12_IN6/TIM3_CH1
PA7	43	PA7 /SPI1_MOSI/TIM8_CH1N/ADC12_IN7/TIM3_CH2
PA8	100	PA8/USART1_CK/TIM1_CH1/MCO
PA9	101	PA9/USART1_TX/TIM1_CH2
PA10	102	PA10/USART1_RX/TIM1_CH3
PA11	103	PA11/USART1_CTS/CANRX/TIM1_CH4(6)/USBDM
PA12	104	PA12 /USART1_RTS/USBDP/ CANTX /TIM1_ETR
PA13	105	PA13 /TMS-SWDIO
PA14	109	PA14/TCK-SWCLK
PA15	110	PA15/SPI3_NSS/I2S3_WS/JTDI

PB0	46	PB0
PB1	47	PB1
PB2	48	PB2
PB3	133	PB3
PB4	134	PB4
PB5	135	PB5
PB6	136	PB6
PB7	137	PB7
PB8	139	PB8
PB9	140	PB9
PB10	69	PB10
PB11	70	PB11
PB12	73	PB12
PB13	74	PB13
PB14	75	PB14
PB15	76	PB15

PC0	26	PC0
PC1	27	PC1
PC2	28	PC2
PC3	29	PC3
PC4	44	PC4
PC5	45	PC5
PC6	96	PC6
PC7	97	PC7
PC8	98	PC8
PC9	99	PC9
PC10	111	PC10
PC11	112	PC11
PC12	113	PC12
PC13	7	PC13
PC14	8	PC14
PC15	9	PC15

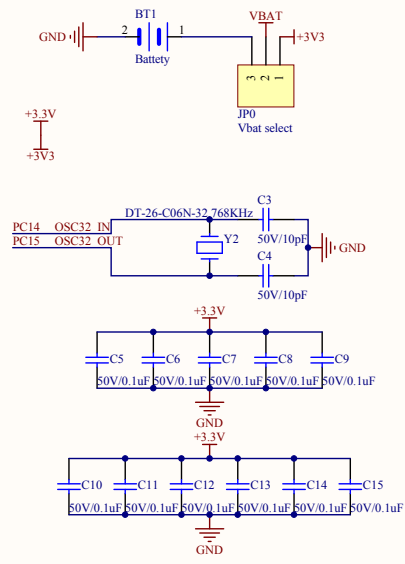
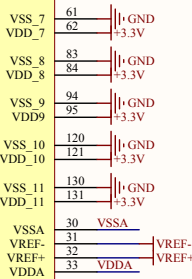
PD0	114	PD0
PD1	115	PD1
PD2	116	PD2
PD3	117	PD3
PD4	118	PD4
PD5	119	PD5
PD6	122	PD6
PD7	123	PD7
PD8	77	PD8
PD9	78	PD9
PD10	79	PD10
PD11	80	PD11
PD12	81	PD12
PD13	82	PD13
PD14	85	PD14
PD15	86	PD15

PIN23	23	OSC_IN
PIN24	24	OSC_OUT
PIN25	25	NSS1
NC		NC
BOOT0	138	BOOT0
VBAT	6	VBAT

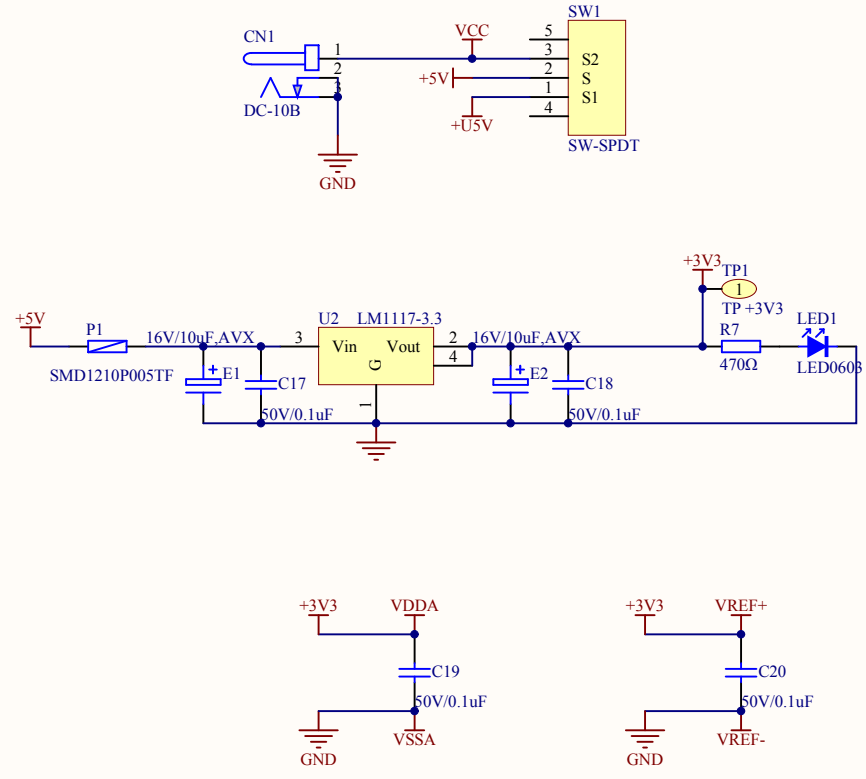
U1	56	PG0
PG1	57	PG1
PG2	87	PG2
PG3	88	PG3
PG4	89	PG4
PG5	90	PG5
PG6	91	PG6
PG7	92	PG7
PG8	93	PG8
PG9	124	PG9
PG10	125	PG10
PG11	126	PG11
PG12	127	PG12
PG13	128	PG13
PG14	129	PG14
PG15	132	PG15

PF0	10	PF0
PF1	11	PF1
PF2	12	PF2
PF3	13	PF3
PF4	14	PF4
PF5	15	PF5
PF6	18	PF6
PF7	19	PF7
PF8	20	PF8
PF9	21	PF9
PF10	22	PF10
PF11	49	PF11
PF12	50	PF12
PF13	53	PF13
PF14	54	PF14
PF15	55	PF15

PE0	141	PE0
PE1	142	PE1
PE2	1	PE2
PE3	2	PE3
PE4	3	PE4
PE5	4	PE5
PE6	5	PE6
PE7	58	PE7
PE8	59	PE8
PE9	60	PE9
PE10	63	PE10
PE11	64	PE11
PE12	65	PE12
PE13	66	PE13
PE14	67	PE14
PE15	68	PE15



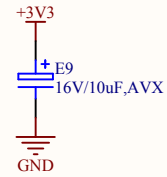
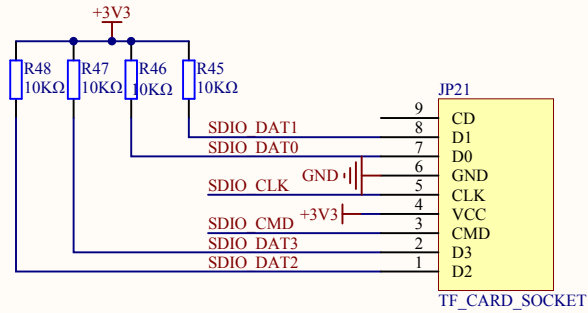
Company Name: GigaDevice		
File Name: MCU		
Revision: 1.1	Date: 2015-08	Author: XuFei



Company Name: GigaDevice		
File Name: Power		
Revision: 1.0	Data: 2013-8-20	Author: XuFei

SDIO

PD2 SDIO CMD
 PC12 SDIO CLK
 PC8 SDIO DAT0
 PC9 SDIO DAT1
 PC10 SDIO DAT2
 PC11 SDIO DAT3



Company Name: GigaDevice

File Name: SDIO

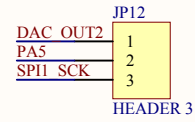
Revision: 1.1

Data: 2015-08

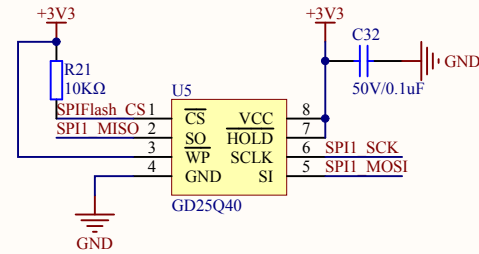
Author: Xufei

SPI Flash

Short JP12(1,2) for DAC function
Short JP12(2,3) for SPI1 function

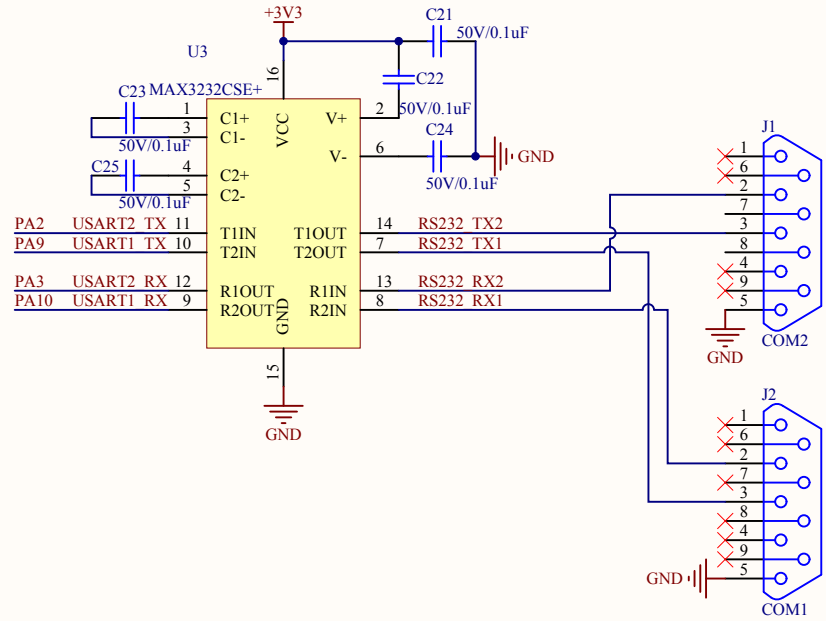


PA7	SPI1	MOSI
PA6	SPI1	MISO
PE3	SPIFlash	CS

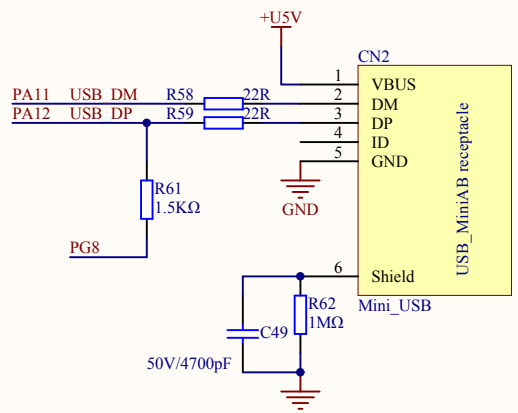


Company Name: GigaDevice		
File Name: SPI		
Revision: 1.0	Data: 2013-8-20	Author: XuFei

USART1/USART2



Company Name: GigaDevice		
File Name: USART		
Revision: 1.0	Data: 2013-8-20	Author: XuFei



Company Name: GigaDevice

File Name: USB

Revision: 1.1

Data: 2013.9.10

Author: Xufei

