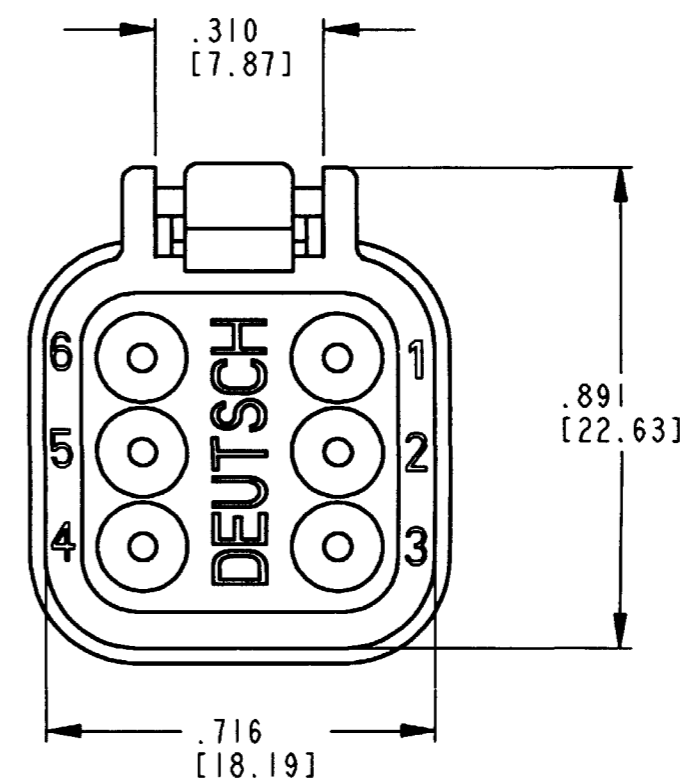


PLUG INSERTS INTO RECEPTACLE WITHIN THIS DISTANCE.



REV C DT06-6S

REVISIONS			
SYM	DESCRIPTION	DATE	APPROVED
NC	NEW RELEASE PER E.O. A09286	12/5/89	JA
A	REVISED PER E.O. A09335	9/6/90	JA
B	REVISED PER E.O. P15019	4/4/96	RDR
C	REVISED PER E.O. P16035	5-13-99	RDR

CONTACT SIZE	MIN. INSUL O.D.	MAX. INSUL O.D.	WIRE RANGE [mm ²]
16	.088 [2.23]	.145 [3.68]	14-20 AWG [2.0-0.5]

- NOTES: 1. ALL DIMENSIONS ARE IN INCHES (MILLIMETERS).
- THIS PART MATES WITH THE DT04-6P-**** (**** = ALL MODIFICATIONS).
 - FOR MORE INFO. SEE DRAWING 0425-015-0000 AND 0425-017-0000.
 - CONSULT FACTORY FOR CONTACT SPECIFICATION AND APPLICATION.
 - ALL DIMENSIONS ARE ±.025 [0.63] UNLESS OTHERWISE SPECIFIED.

SIGNATURE & DATE	
DR	D. SPENCER 29 JAN 99
CHK	<i>[Signature]</i> 5-7-99
PE	<i>[Signature]</i> 5-7-99
APPD	<i>[Signature]</i> 5-13-99
SCALE	3:1 WT

6 WAY PLUG
DT SERIES

ENVELOPE

CP	MATL. CODE
The Deutsch Company DEUTSCH I.P.D. 3850 INDUSTRIAL AVE. HEMET, CALIF. 92545	
B	DT06-6S
DWG SIZE	CODE 11139 SHEET OF

Mouser Electronics

Authorized Distributor

Click to View Pricing, Inventory, Delivery & Lifecycle Information:

[TE Connectivity:](#)

[DT06-6S](#)