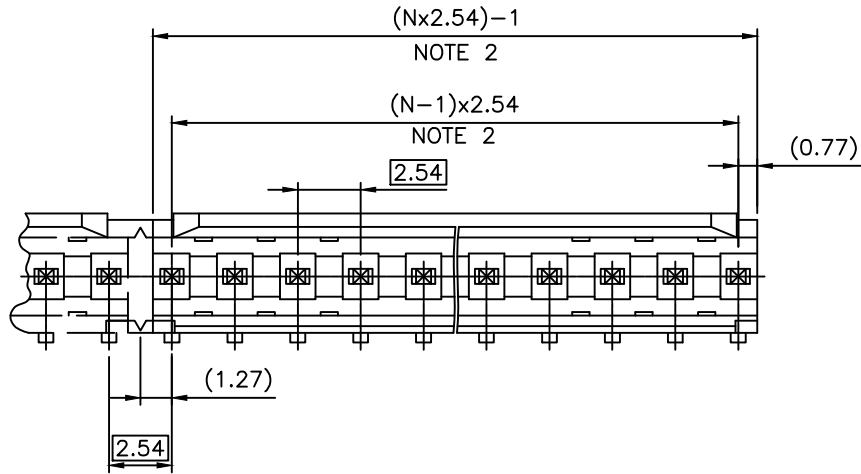
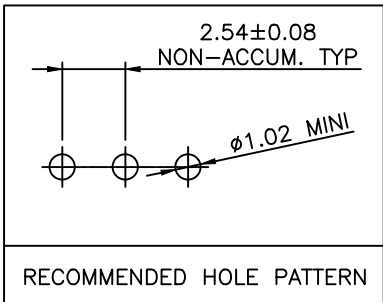
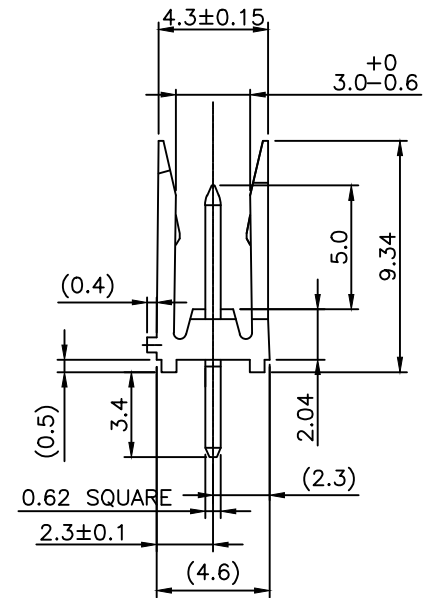
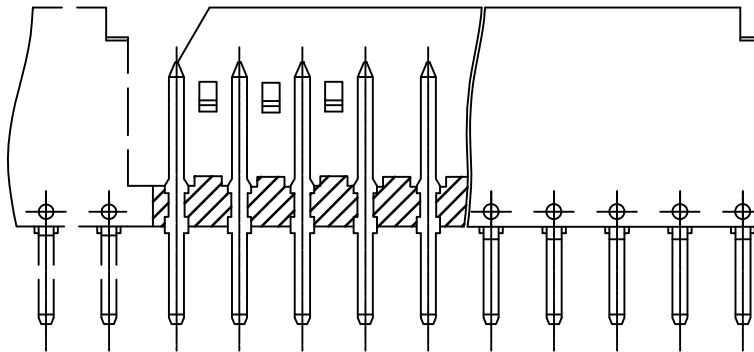


PRODUCT NUMBER  
SEE SHEET 2



NOTES :

- MINI PUSH-OUT FORCE TERMINAL IN BOTH DIRECTIONS 22N.
- TO DETERMINE DIMENSIONS:  
N = NUMBER OF POSITIONS PER ROW  
EXAMPLE: 8 POS:  $(N \times 2.54) - 1 = 19.32$  mm



mat'l. code		surface		tolerance		projection		product family	
SEE NOTES		ISO 1302		ISO 406 ISO 1101		mm		DUBOX	
ltr	ecn no	dr	date	tolerances unless otherwise specified		mm		title	
N	F06-0228	LMU	06.07.11	angles	.X ±0.3	mm		SHR. HEADER	
P	F06-0319	LMU	06.11.10	linear	.XX ±0.15	mm		STR SR TMT	
R	F07-0147	LMU	07.03.01		.XXX ±0.05	scale 5:1		sheet 1 of 2	
S	F07-0220	J.CO	07.06.14	dr	D LEGRAND	99.03.03		size	
T	F08-0147	YOV	08.04.14	engr	JM PHAMVAN	99.03.03		A3	
U	B-19286	AMA	14.11.03	chr	JM PHAMVAN	99.03.03		76384	
V	B-21014	BVE	15.06.01	app	JM PHAMVAN	99.03.03		CUSTOMER Drawing	
sheet	revision	V	F						
index	sheet	1	2						



Copyright FCI

RoHS COMPLIANT PRODUCT NUMBER

76384-YXXLF

PLATING CODE \_\_\_\_\_

RoHS COMPLIANT, SEE NOTE 5

3= 0.76µm GOLD/GXT ON CONTACT AREA.

2µm MIN MATTE TIN ON TAIL.

4= 2µm MIN MATTE TIN FULL PLATED

NUMBER OF POSITIONS: 02 TO 18

1.27µm Ni MIN UNDERPLATING

NOTES:

- 1 - HOUSING MAT'L: THERMOPLASTIC GLASS FILLED  
FLAME RETARDANT PER UL 94 V-O COLOR: BLACK.
- 2 - TERMINAL MATERIAL: COPPER ALLOY.
- 3 - 2 UP TO 6 POSITIONS, PRODUCT PACKED IN PLASTIC BAG.  
7 UP TO 18 POSITIONS, PRODUCT PACKED IN TUBE.
- 4 - ONLY DASH NUMBER -X02 AND -X03  
ALWAYS TEN (10) PRODUCTS MOLDED ASSEMBLY  
& DELIVERED ON STRIP ACCORDING PHANTOM LINES.
- 5 - RoHS COMPATIBLE PRODUCT SPECIFICATIONS
  - a - PLATING:
    - "LF" MEANS THE PRODUCT IS LEAD-FREE,  
2µm MINIMUM MATTE TIN OVER 1.27µm  
MINIMUM NICKEL UNDERPLATE.
  - b - MANUFACTURING PROCESS COMPATIBILITY
    - THE HOUSING WILL WITHSTAND EXPOSURE TO  
260°C ±5°C SOLDER BATH TEMPERATURE FOR  
5 SECONDS IN A WAVE SOLDER APPLICATION  
WITH A 1.6mm MIN THICK CIRCUIT BOARD.
  - c - LABELING:
    - MEETS PACKAGING SPECS AS PER GS-14-920
  - d - LEGAL STATEMENT: SEE GS-47-0004

mat'l. code		surface		tolerance		projection		product family	
SEE NOTES		ISO 1302 ✓		ISO 406 ISO 1101				DUBOX	
ltr	ecn no	dr	date	tolerances unless otherwise specified				title	
A	F05-0159	LMU	05.03.31	angles	linear	.X ±0.3		SHR. HEADER	
B	F06-0228	LMU	06.07.11			.XX ±0.15		STR SR TMT	
C	F07-0147	LMU	07.03.01			.XXX ±0.05		scale 5:1	
D	F07-0220	JCO	07.06.14	dr	L.MULIN	05.03.25		dwg no	
E	F08-0147	YOV	08.04.14	engr	J.COMPAGNON	05.03.25		sheet 2 of	
F	B-19286	AMA	14.11.03	chr				76384	
				appd	JM.C	05.03.25		size	
								A3	
sheet		revision		type		CUSTOMER Drawing			
index	sheet								



Copyright FCJ

# Mouser Electronics

Authorized Distributor

Click to View Pricing, Inventory, Delivery & Lifecycle Information:

## [FCI / Amphenol:](#)

[76384-314LF](#) [76384-413LF](#) [76384-311CLF](#) [76384-302LF](#) [76384-303LF](#) [76384-304LF](#) [76384-305LF](#) [76384-306LF](#)  
[76384-307LF](#) [76384-308LF](#) [76384-309LF](#) [76384-310LF](#) [76384-311LF](#) [76384-312LF](#) [76384-313LF](#) [76384-315LF](#)  
[76384-316LF](#) [76384-317LF](#) [76384-318LF](#) [76384-402LF](#) [76384-403LF](#) [76384-404LF](#) [76384-405LF](#) [76384-406LF](#)  
[76384-407LF](#) [76384-408LF](#) [76384-409LF](#) [76384-410LF](#) [76384-411LF](#) [76384-412LF](#) [76384-414LF](#) [76384-415LF](#)  
[76384-416LF](#) [76384-417LF](#) [76384-418LF](#) [76384-303RLF](#) [76384-403RLF](#)