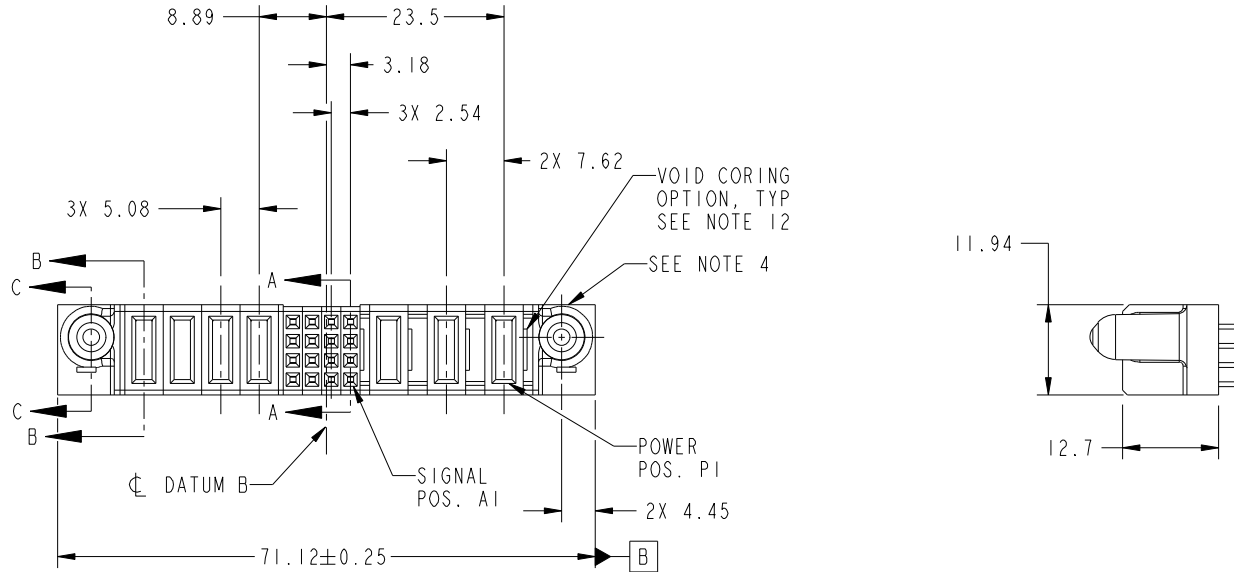


Tous droits strictement réservés. Reproduction ou communication a des tiers interdite sous quelque forme que ce soit sans autorisation écrite du propriétaire. Propriété de c.FCI. Droits de reproduction FCI.

All rights strictly reserved. Reproduction or issue to third parties in any form whatever is not permitted without written authority from the proprietor. Property of FCI. Copyright FCI.



PRODUCT NO.	ROWS	POWER				SIGNAL				POWER			E1	
		E2	P7	P6	P5	P4	4	3	2	1	P3	P2		P1
51940-258-- NOTE: 3	D C B A													



CODE	DIM "M" MATING LENGTH	CONTACT TYPE
E	[N/A]	SIGNAL
PA	[1.07]	POWER
PD	[2.34]	POWER

mat'l code				SEE NOTES		tolerances unless otherwise specified		CUSTOMER		 www.fciconnect.com		
lir	ecn no.	dr	date	linear	0.X ±0.5		COPY		title 3ACP + 16S + 4P VERTICAL SOLDER RECEPT			
A	DG08-0195	W D	07/29/08		0.XX ±0.25		projection					
					0.XXX ±0.1							
				angles	0° ±2°		 MM		product family PwrBlade code			
					dr Warren Du 07/10/08		scale		size		213	
					enrg Jerome Chen 07/10/08		1:1		dwg no		sheet	
					chr Gary Hsieh 07/10/08				A 51940-258		1 of 4	
				appd Joseph Hsia 07/10/08								
sheet index	revision sheet	A	A	A	A	A	A					

1 | 2

Pro/E

PDM: Rev: A

STATUS: Released

Printed: Dec 20, 2010

cage code 28556

4

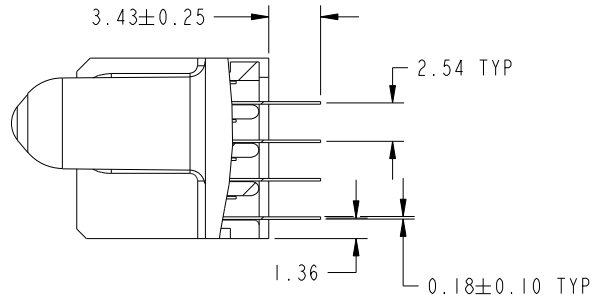
Tous droits strictement reserves. Reproduction ou communication a des tiers interdite sous quelque forme que ce soit sans autorisation ecrite du proprietaire. Propriete de c FCI. Droits de reproduction FCI.

All rights strictly reserved. Reproduction or issue to third parties in any form whatever is not permitted without written authority from the proprietor. Property of FCI. Copyright FCI.

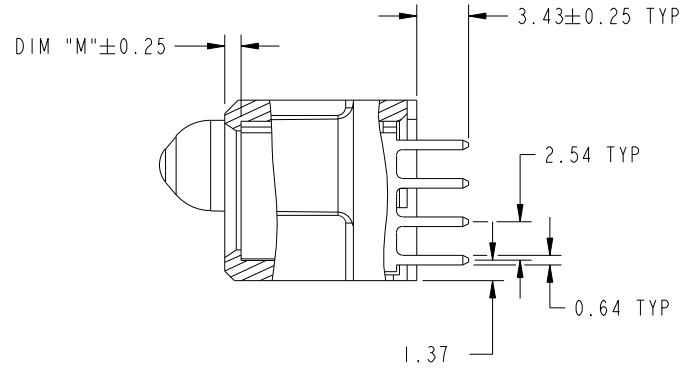


PRODUCT NUMBER

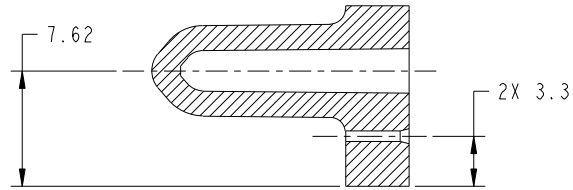
51940-258__
NOTE: 3



SECTION A-A
SCALE 2:1



SECTION B-B
SCALE 2:1



SECTION C-C
SCALE 2:1

mat'l code				tolerances unless otherwise specified		CUSTOMER		 www.fciconnect.com	
lfr	ecn no.	dr	date	linear	0.X ±0.5	COPY		title 3ACP + 16S + 4P VERTICAL SOLDER RECEPT	
A					0.XX ±0.25	projection			
					0.XXX ±0.1				
				angles	0° ±2°	 MM		product family PwrBlade code	
				dr	Warren Du 07/10/08	scale		size	dwg no
				enr	Jerome Chen 07/10/08	1:1		A	51940-258
				chr	Gary Hsieh 07/10/08			sheet	
				appd	Joseph Hsia 07/10/08			2 of 4	
sheet index	revision sheet								

cage code 2856

Pro/E

PDM: Rev: A

STATUS: Released

Printed: Dec 20, 2010

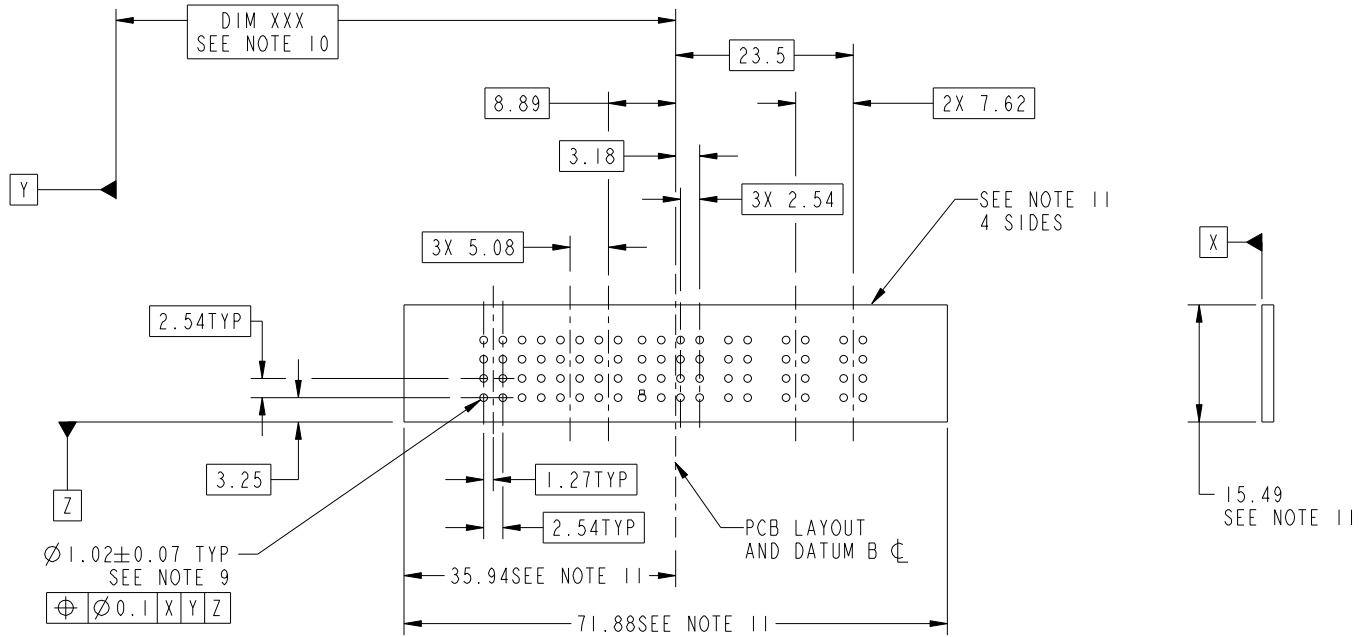
Tous droits strictement reserves. Reproduction ou communication a des tiers interdite sous quelque forme que ce soit sans autorisation ecrite du proprietaire. Propriete de c.FCI. Droits de reproduction FCI.

All rights strictly reserved. Reproduction or issue to third parties in any form whatever is not permitted without written authority from the proprietor. Property of FCI. Copyright FCI.



PRODUCT NUMBER

51940-258__
NOTE: 3



mat'l code				tolerances unless otherwise specified		CUSTOMER		 www.fciconnect.com	
lir	ecn no.	dr	date	linear	0.X ±0.5	COPY		title	
A					0.XX ±0.25	projection		3ACP + 16S + 4P	
					0.XXX ±0.1			VERTICAL SOLDER RECEPT	
				angles	0° ±2°	 MM		product family PwrBlade	
				dr	Warren Du 07/10/08	scale		code	
				engr	Jerome Chen 07/10/08	1:1		213	
				chr	Gary Hsieh 07/10/08	size		sheet	
				appd	Joseph Hsia 07/10/08	A		3 of 4	
sheet index		revision sheet				A		51940-258	

1 | 2

3

4

A

A

B

B

1 | 2

Pro/E

PDM: Rev: A

STATUS: Released

Printed: Dec 20, 2010

cage code 2256

4

Tous droits strictement reserves. Reproduction ou communication a des tiers interdite sous quelque forme que ce soit sans autorisation écrite du propriétaire. Propriete de c FCI. Droits de reproduction FCI.

All rights strictly reserved. Reproduction or issue to third parties in any form whatever is not permitted without written authority from the proprietor. Property of FCI. Copyright FCI.



1 | 2

3

4

PRODUCT NUMBER

51940-258__
NOTE: 3

NOTES:

1. DIMENSIONS AND TOLERANCES ARE IN ACCORDANCE WITH ASME Y14.5M, 1994 UNLESS OTHERWISE SPECIFIED.

CONNECTOR NOTES:

- ② HOUSING MATERIAL: UL 94 V-0 GLASS FILLED HIGH-TEMP THERMOPLASTIC
POWER CONTACT MATERIAL: COPPER ALLOY
SIGNAL PIN MATERIAL: COPPER ALLOY
- 3. PLATING SPEC.
51940-258, 51940-258LF PLATING SPEC. WAS SHOWN IN THE PRINT OF 10064183.
- ④ MANUFACTURER'S NAME, P/N, AND DATE CODE TO APPEAR ON THIS SURFACE.
- 5. PRODUCT SPECIFICATION GS-12-149.
APPLICATION SPECIFICATION BUS-20-067.
- 6. PACKAGED IN TRAYS.

PCB NOTES:

- 7. ALL HOLE DIAMETERS ARE FINISHED HOLE SIZE.
- ⑧ MOUNTING HOLES, WHERE APPLICABLE, ARE UNPLATED.
- ⑨ $\varnothing 1.151 \pm 0.025$ DRILLED HOLES PLATED WITH
0.008 MIN SnPb OR Sn OVER 0.03
TO 0.08 Cu PLATING TO ACHIEVE
 $\varnothing 1.02 \pm 0.07$ HOLE.
- ⑩ "DIM XXX" TO BE DETERMINED BY THE CUSTOMER.
- ⑪ CONNECTOR KEEP-OUT ZONE.
- 12. THE VOID CORING IN BETWEEN POWER MODULES, SIGNAL MODULES AND END MODULES ARE OPTIONAL AND THE SHAPE MAY BE DIFFERENT FOR OPTIMIZE THE MOLDING PROCESS. THE VOID CORING WILL NOT EFFECT TO PRODUCT FUNCTION.

mat'l code				tolerances unless otherwise specified		CUSTOMER		FCI		www.fciconnect.com	
lfr	ecn no.	dr	date	linear	0.X ± 0.5		COPY		title 3ACP + 16S + 4P VERTICAL SOLDER RECEPT		
A					0.XX ± 0.25		projection				
					0.XXX ± 0.1						
				angles	0° ± 2°				product family PwrBlade code size dwg no 213 A 51940-258 sheet 4 of 4		
				dr	Warren Du	07/10/08	MM				
				enrg	Jerome Chen	07/10/08					
				chr	Gary Hsieh	07/10/08	scale				
				appd	Joseph Hsia	07/10/08	1:1				
sheet index	revision sheet										

1 | 2

Pro/E

PDM: Rev: A

STATUS: Released

Printed: Dec 20, 2010

cage code 2256

4

Mouser Electronics

Authorized Distributor

Click to View Pricing, Inventory, Delivery & Lifecycle Information:

[FCI / Amphenol:](#)

[51940-258LF](#)