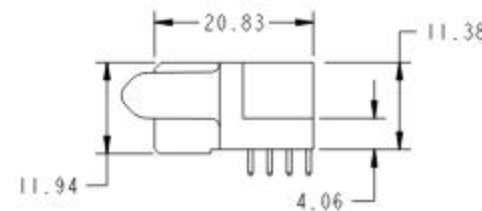
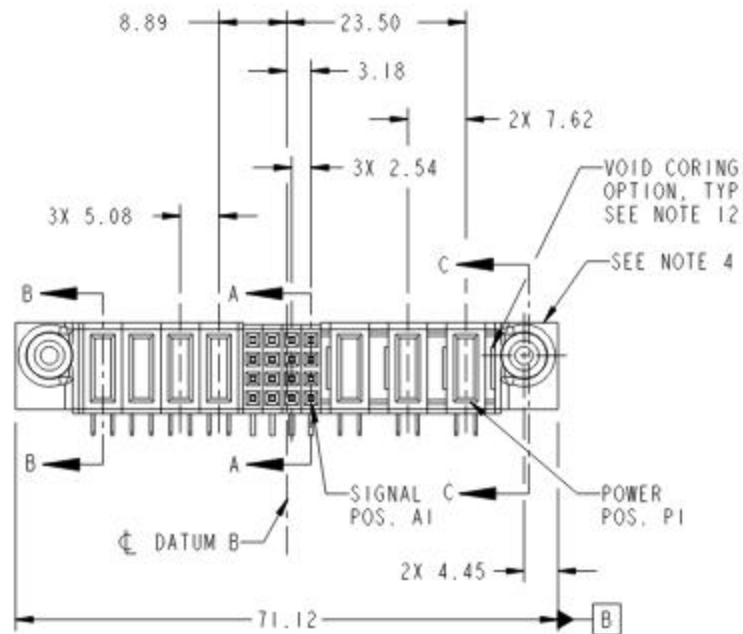
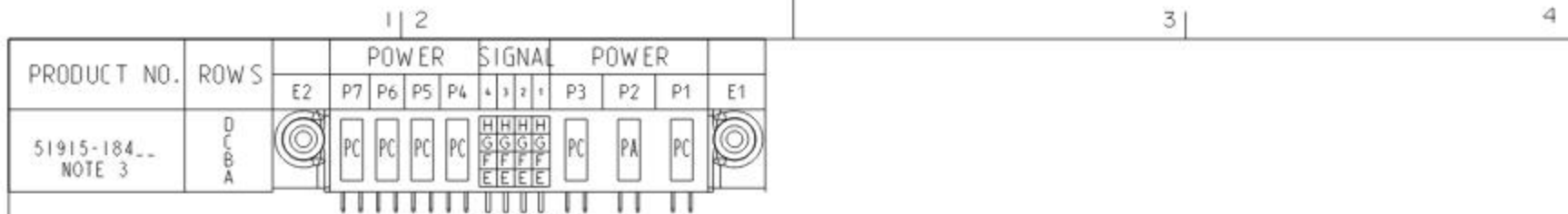


Tous droits strictement réservés. Reproduction ou communication o des tiers interdite sous quelque forme que ce soit sans autorisation écrite du propriétaire. Propriete de c FCI. Droits de reproduction FCI.

All rights strictly reserved. Reproduction or issue to third parties in any form whatever is not permitted without written authority from the proprietor. Property of FCI. Copyright FCI.



CODE	DIM "M" MATING LENGTH	CONTACT TYPE
PC	[2.34]	POWER
H	[N/A]	SIGNAL
G	[N/A]	SIGNAL
F	[N/A]	SIGNAL
E	[N/A]	SIGNAL
PA	[1.07]	POWER

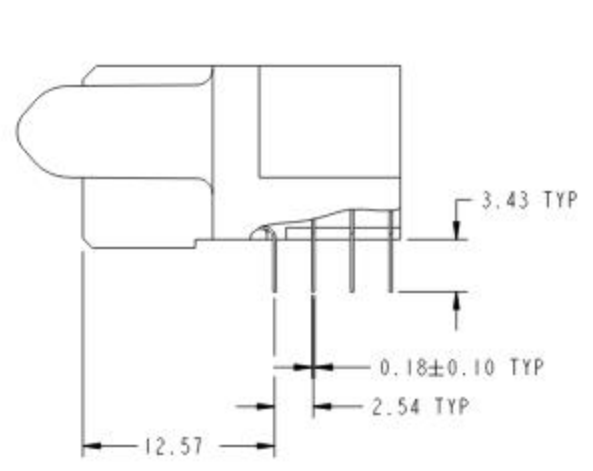
mar'1 code SEE NOTE 2				tolerances unless otherwise specified		CUSTOMER		FCI www.fciconnect.com	
ltr	ecm no.	dr	date	linear	0.X ± 0.5	COPY		title	
A	DG09-0008	WD	01/12/09		0.XX ± 0.25	projection		3ACP + 16S + 4P R/A SOLDER RECEPTACLE	
				angles	0.XXX ± 0.1	MM		product family PwrBlade code	
				dr	0° ± 2°	scale		size	
				enr	Warren Du 12/02/08	1:1		dwg no	
				chr	Gary Hsieh 12/02/08			A 51915-184	
				appd	Joseph Hsia 12/02/08			sheet	
sheet	revision	A	A	A	A			1 of 4	
index	sheet	1	2	3	4			cage code	
								22526	

Tous droits strictement réservés. Reproduction ou communication à des tiers interdite sous quelque forme que ce soit sans autorisation écrite du propriétaire. Propriété de c FCI. Droits de reproduction FCI.

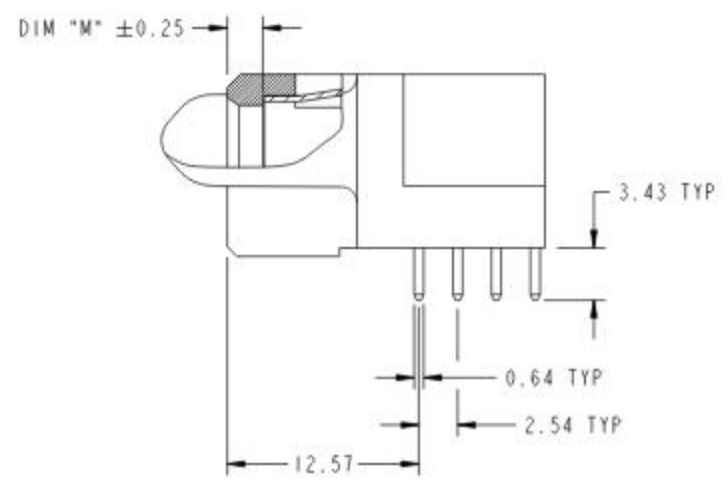
All rights strictly reserved. Reproduction or issue to third parties in any form whatever is not permitted without written authority from the proprietor. Property of FCI. Copyright FCI.



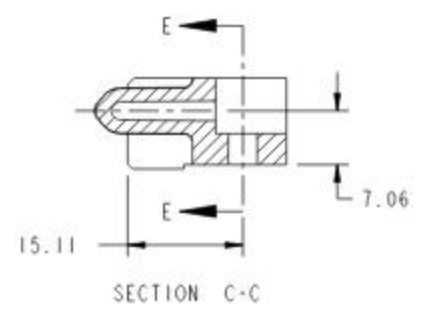
PRODUCT NUMBER
51915-184...
NOTE 3



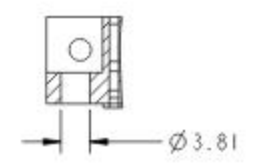
BROKEN-OUT SECTION A-A
SCALE 2:1



BROKEN-OUT SECTION B-B
SCALE 2:1



SECTION C-C



PARTIAL SECTION E-E

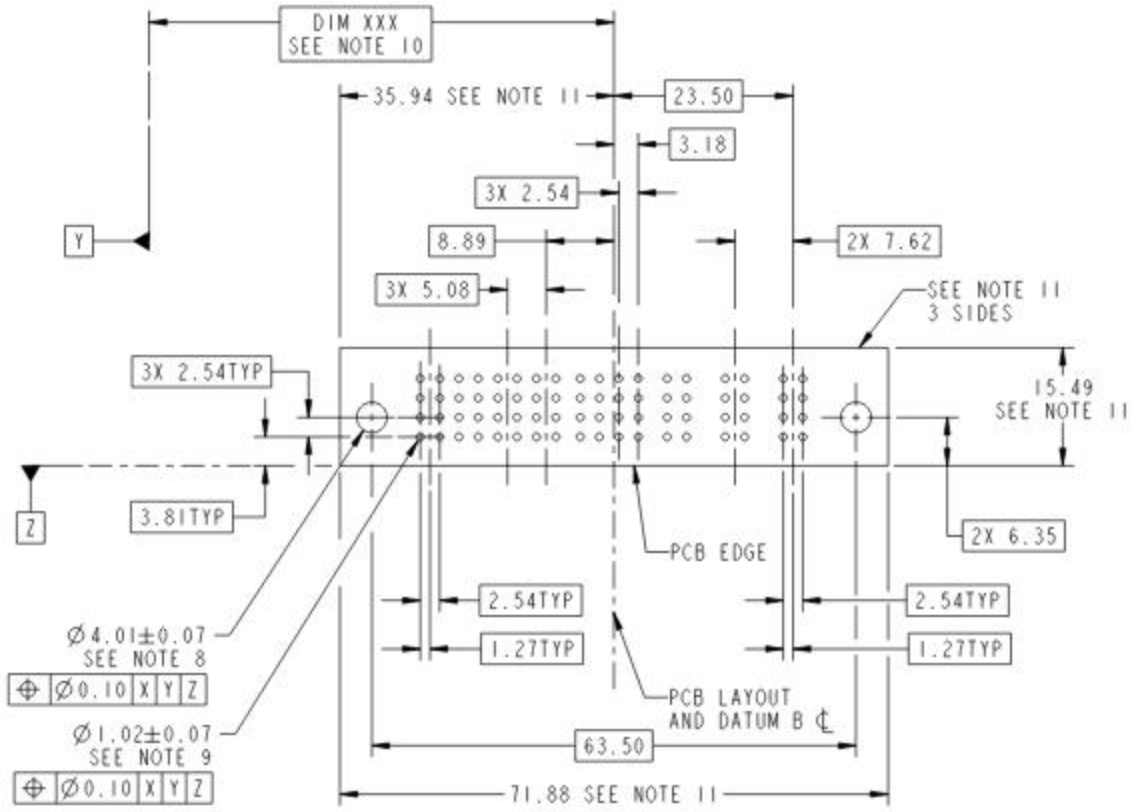
mat'l code SEE NOTE 2				tolerances unless otherwise specified		CUSTOMER		FCI www.fciconnect.com	
ltr	ecn no.	dr	date	linear	0.X ± 0.5	COPY		title	
A					0.XX ± 0.25	projection		3ACP + 16S + 4P R/A SOLDER RECEPTACLE	
				angles	0.XXX ± 0.1	MM		product family PwrBlade code	
				dr	0° ± 2°	scale		size	
				engr	Warren Du 12/02/08	1:1		dwg no	
				chr	Gary Hsieh 12/02/08			A 51915-184	
				appd	Joseph Hsia 12/02/08			sheet	
sheet index	revision sheet							2 of 4	
								cage code 22526	

Tous droits strictement réservés. Reproduction ou communication à des tiers interdite sous quelque forme que ce soit sans autorisation écrite du propriétaire. Propriété de c.FCI. Droits de reproduction FCI.

All rights strictly reserved. Reproduction or issue to third parties in any form whatever is not permitted without written authority from the proprietor. Property of FCI. Copyright FCI.



PRODUCT NUMBER
51915-184...
NOTE 3



RECOMMENDED PCB LAYOUT

mat'l code		SEE NOTE		tolerances unless otherwise specified		CUSTOMER		FCI www.fciconnect.com	
ltr	ecr no.	dr	date	linear	0.X ± 0.5	projection	COPY	title	
A					0.XX ± 0.25			3ACP + 16S + 4P	
				angles	0.XXX ± 0.1			R/A SOLDER RECEPTACLE	
				dr	Warren Du 12/02/08	product family	PwrBlade	code	
				engr	Warren Du 12/02/08	size	dwg no	213	
				chr	Gary Hsieh 12/02/08	scale	A 51915-184	sheet	
				appd	Joseph Hsia 12/02/08	1:1		3 of 4	
sheet index	revision sheet								

Pro/E

cage code 22526

Tous droits strictement réservés. Reproduction ou communication a des tiers interdite sous quelque forme que ce soit sans autorisation écrite du propriétaire. Propriété de c FCI. Droits de reproduction FCI.



All rights strictly reserved. Reproduction or issue to third parties in any form whatever is not permitted without written authority from the proprietor. Property of FCI. Copyright FCI.

1 2		3		4	
PRODUCT NUMBER					
51915-184.. NOTE 3					
NOTES:					
1. DIMENSIONS AND TOLERANCES ARE IN ACCORDANCE WITH ASME Y14.5M, 1994 UNLESS OTHERWISE SPECIFIED.					
CONNECTOR NOTES:					
2. HOUSING MATERIAL: UL 94 V-0 GLASS FILLED HIGH-TEMP THERMOPLASTIC POWER CONTACT MATERIAL: COPPER ALLOY SIGNAL PIN MATERIAL: COPPER ALLOY					
3. SEE ITEM 5 & 6 IN PRINT 10064183 FOR PLATING SPEC OF 51915-184 AND 51915-184LF RESPECTIVELY.					
4. MANUFACTURER'S NAME, P/N, AND DATE CODE TO APPEAR ON THIS SURFACE.					
5. PRODUCT SPECIFICATION GS-12-149. APPLICATION SPECIFICATION BUS-20-067.					
6. PACKAGED IN TRAYS.					
PCB NOTES:					
7. ALL HOLE DIAMETERS ARE FINISHED HOLE SIZE.					
8. MOUNTING HOLES, WHERE APPLICABLE, ARE UNPLATED.					
9. $\varnothing 1.151 \pm 0.025$ DRILLED HOLES PLATED WITH 0.008 MIN SnPb OR Sn OVER 0.03 TO 0.08 Cu PLATING TO ACHIEVE $\varnothing 1.02 \pm .07$ HOLE.					
10. *DIM XXX* TO BE DETERMINED BY THE CUSTOMER.					
11. CONNECTOR KEEP-OUT ZONE.					
12. THE VOID CORING IN BETWEEN POWER MODULES, SIGNAL MODULES AND END MODULES ARE OPTIONAL AND THE SHAPE MAY BE DIFFERENT FOR OPTIMIZE THE MOLDING PROCESS. THE VOID CORING WILL NOT EFFECT TO PRODUCT FUNCTION.					
mat'l code		SEE NOTE 2		tolerances unless otherwise specified	
ltr	ecr no.	dr	date	linear	0.X ± 0.5
A				0.XX ± 0.25	projection
				0.XXX ± 0.1	
				angles	0° ± 2°
		dr	Warren Du 12/02/08	CUSTOMER	
		engr	Warren Du 12/02/08	www.fciconnect.com	
		chr	Gary Hsieh 12/02/08	title	
		appd	Joseph Hsia 12/02/08	3ACP + 16S + 4P R/A SOLDER RECEPTACLE	
sheet index		revision sheet		product family	
				PwrBlade	
				code	
				213	
				size	
				A	
				dwg no	
				51915-184	
				sheet	
				4 of 4	
				scale	
				1:1	
				cage code	
				22526	
				4	
1 2		Pro/E		3	
				4	