



GD25Q127C

DATASHEET

Contents

| | |
|--|-----------|
| 1. FEATURES | 4 |
| 2. GENERAL DESCRIPTION..... | 5 |
| 3. MEMORY ORGANIZATION | 7 |
| 4. DEVICE OPERATION | 8 |
| 5. DATA PROTECTION..... | 10 |
| 6. STATUS REGISTER..... | 12 |
| 7. COMMANDS DESCRIPTION | 14 |
| 7.1. WRITE ENABLE (WREN) (06H) | 16 |
| 7.2. WRITE DISABLE (WRDI) (04H) | 17 |
| 7.3. WRITE ENABLE FOR VOLATILE STATUS REGISTER (50H) | 17 |
| 7.4. READ STATUS REGISTER (RDSR) (05H OR 35H OR 15H) | 18 |
| 7.5. WRITE STATUS REGISTER (WRSR) (01H OR 31H OR 11H)..... | 18 |
| 7.6. READ DATA BYTES (READ) (03H)..... | 19 |
| 7.7. READ DATA BYTES AT HIGHER SPEED (FAST READ) (0BH) | 19 |
| 7.8. DUAL OUTPUT FAST READ (3BH)..... | 19 |
| 7.9. QUAD OUTPUT FAST READ (6BH) | 20 |
| 7.10. DUAL I/O FAST READ (BBH) | 21 |
| 7.11. QUAD I/O FAST READ (EBH)..... | 22 |
| 7.12. QUAD I/O WORD FAST READ (E7H) | 24 |
| 7.13. SET BURST WITH WRAP (77H) | 25 |
| 7.14. PAGE PROGRAM (PP) (02H) | 26 |
| 7.15. QUAD PAGE PROGRAM (32H)..... | 26 |
| 7.16. SECTOR ERASE (SE) (20H)..... | 27 |
| 7.17. 32KB BLOCK ERASE (BE) (52H) | 28 |
| 7.18. 64KB BLOCK ERASE (BE) (D8H) | 28 |
| 7.19. CHIP ERASE (CE) (60/C7H) | 29 |
| 7.20. DEEP POWER-DOWN (DP) (B9H)..... | 29 |
| 7.21. RELEASE FROM DEEP POWER-DOWN AND READ DEVICE ID (RDI) (ABH)..... | 30 |
| 7.22. READ MANUFACTURE ID/ DEVICE ID (REMS) (90H)..... | 31 |
| 7.23. READ MANUFACTURE ID/ DEVICE ID DUAL I/O (92H)..... | 31 |
| 7.24. READ MANUFACTURE ID/ DEVICE ID QUAD I/O (94H) | 32 |
| 7.25. READ IDENTIFICATION (RDID) (9FH)..... | 33 |
| 7.26. PROGRAM/ERASE SUSPEND (PES) (75H) | 34 |
| 7.27. PROGRAM/ERASE RESUME (PER) (7AH) | 35 |
| 7.28. ERASE SECURITY REGISTERS (44H) | 35 |
| 7.29. PROGRAM SECURITY REGISTERS (42H)..... | 36 |
| 7.30. READ SECURITY REGISTERS (48H)..... | 36 |
| 7.31. ENABLE RESET (66H) AND RESET (99H)..... | 37 |
| 7.32. READ SERIAL FLASH DISCOVERABLE PARAMETER (5AH) | 38 |



| | |
|--|-----------|
| 8. ELECTRICAL CHARACTERISTICS | 43 |
| 8.1. POWER-ON TIMING | 43 |
| 8.2. INITIAL DELIVERY STATE..... | 43 |
| 8.3. ABSOLUTE MAXIMUM RATINGS | 43 |
| 8.4. CAPACITANCE MEASUREMENT CONDITIONS | 44 |
| 8.5. DC CHARACTERISTICS..... | 45 |
| 8.6. AC CHARACTERISTICS..... | 47 |
| 9. ORDERING INFORMATION | 51 |
| 9.1. VALID PART NUMBERS | 52 |
| 10. PACKAGE INFORMATION..... | 53 |
| 10.1. PACKAGE SOP8208MIL | 53 |
| 10.2. PACKAGE VSOP8 208MIL..... | 54 |
| 10.3. PACKAGE SOP16 300MIL..... | 55 |
| 10.4. PACKAGE DIP8 300MIL | 56 |
| 10.5. PACKAGE WSON 8 (6*5MM) | 57 |
| 10.6. PACKAGE WSON 8 (8*6MM) | 58 |
| 10.7. PACKAGE TFBGA-24BALL (6*4 BALL ARRAY)..... | 59 |
| 11. REVISION HISTORY..... | 60 |

1. FEATURES

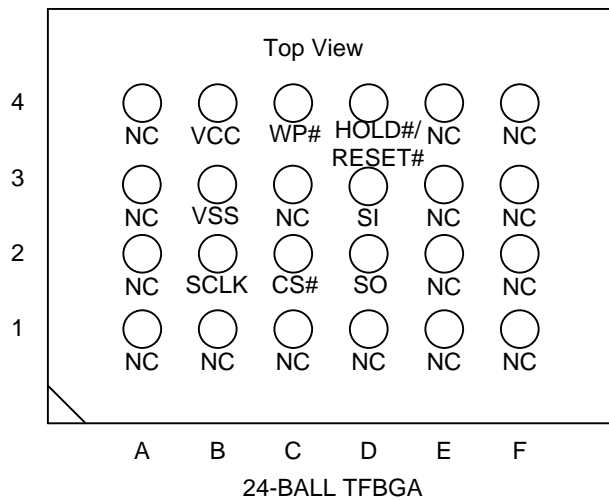
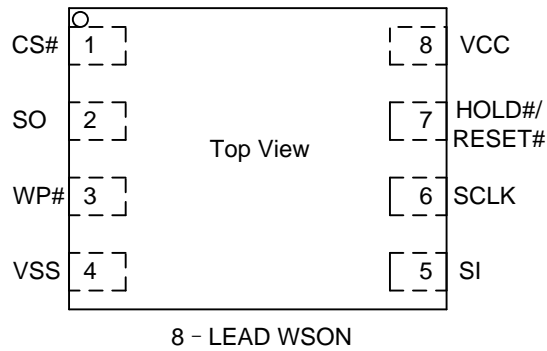
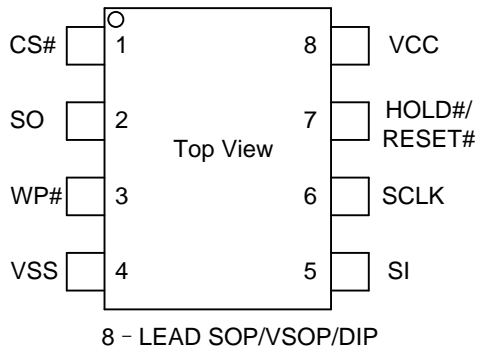
- 128M-bit Serial Flash
 - 16384K-byte
 - 256 bytes per programmable page
- Standard, Dual, Quad SPI
 - Standard SPI: SCLK, CS#, SI, SO, WP#, HOLD#/ RESET#
 - Dual SPI: SCLK, CS#, IO0, IO1, WP#, HOLD#/ RESET#
 - Quad SPI: SCLK, CS#, IO0, IO1, IO2, IO3
- High Speed Clock Frequency
 - 104MHz for Standard and Dual SPI fast read with 30PF load
 - Dual I/O Data transfer up to 208Mbits/s
 - Quad I/O Data transfer up to 416Mbits/s
 - Continuous Read With 8/16/32/64-byte Wrap
- Software/Hardware Write Protection
 - Write protect all/portion of memory via software
 - Enable/Disable protection with WP# Pin
 - Top or Bottom, Sector or Block selection
- Allows XIP(execute in place)operation⁽¹⁾
- Cycling endurance
 - Minimum 100,000 Program/Erase Cycles
- Data retention
 - 20-year data retention typical
- Program/Erase Speed
 - Page Program time: 0.6ms typical
 - Sector Erase time: 50ms typical
 - Block Erase time: 0.2/0.3s typical
 - Chip Erase time: 60s typical
- Flexible Architecture
 - Sector of 4K-byte
 - Block of 32/64k-byte
- Low Power Consumption
 - 25mA maximum active current
 - 1uA maximum power down current
- Advanced Security Features⁽¹⁾
 - 3*1024-Byte Security Registers With OTP Locks
 - Discoverable parameters(SFDP) register
- Single Power Supply Voltage
 - Full voltage range:2.7~3.6V
- Package Information
 - SOP8 (208mil)
 - VSOP8 (208mil)
 - SOP16 (300mil)
 - DIP8 (300mil)
 - WSON8 (8*6mm)
 - WSON8 (6*5mm)
 - TFBGA-24(6*4 ball array)

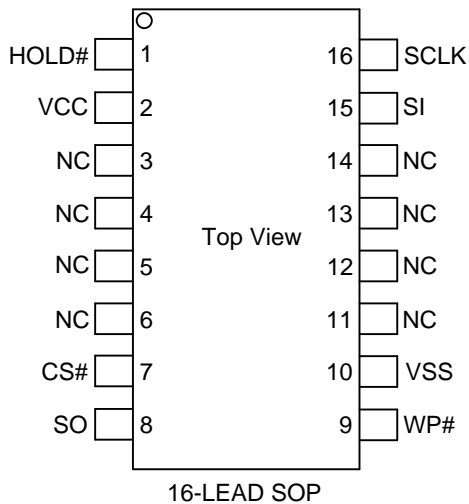
Note: 1.Please contact GigaDevice for details.

2. GENERAL DESCRIPTION

The GD25Q127C (128M-bit) Serial flash supports the standard Serial Peripheral Interface (SPI), and supports the Dual/Quad SPI: Serial Clock, Chip Select, Serial Data I/O0 (SI), I/O1 (SO), I/O2 (WP#), and I/O3 (HOLD#/ RESET#). The Dual I/O data is transferred with speed of 208Mbits/s and the Quad I/O & Quad output data is transferred with speed of 416Mbits/s.

CONNECTION DIAGRAM



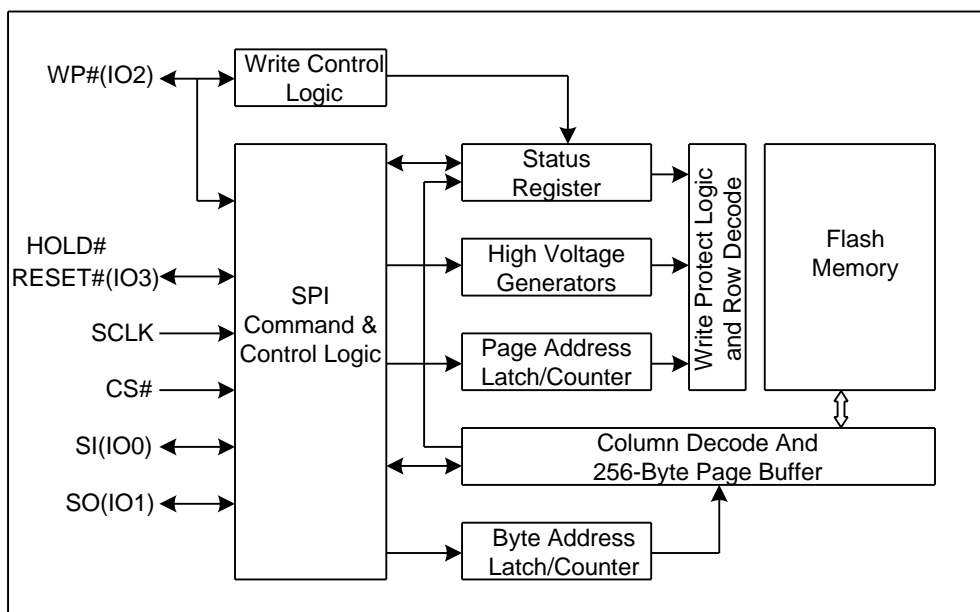


Note: Only for special order, Pin 3 is RESET# pin. Please contact GigaDevice for detail.

PIN DESCRIPTION

| Pin Name | I/O | Description |
|--------------------|-----|---|
| CS# | I | Chip Select Input |
| SO (IO1) | I/O | Data Output (Data Input Output 1) |
| WP# (IO2) | I/O | Write Protect Input (Data Input Output 2) |
| VSS | | Ground |
| SI (IO0) | I/O | Data Input (Data Input Output 0) |
| SCLK | I | Serial Clock Input |
| HOLD#/RESET# (IO3) | I/O | Hold or Reset Input (Data Input Output 3) |
| VCC | | Power Supply |

BLOCK DIAGRAM





3. MEMORY ORGANIZATION

GD25Q127C

| Each device has | Each block has | Each sector has | Each page has | |
|-----------------|----------------|-----------------|---------------|---------|
| 16M | 64/32K | 4K | 256 | bytes |
| 64K | 256/128 | 16 | - | pages |
| 4096 | 16/8 | - | - | sectors |
| 256/512 | - | - | - | blocks |

UNIFORM BLOCK SECTOR ARCHITECTURE

GD25Q127C 64K Bytes Block Sector Architecture

| Block | Sector | Address range | |
|-------|--------|---------------|-----------|
| 255 | 4095 | FFF000H | FFFFFFFH |
| | | | |
| | 4080 | FF0000H | FF0FFFFH |
| 254 | 4079 | FEF000H | FEFFFFFFH |
| | | | |
| | 4064 | FE0000H | FE0FFFFH |
| | | | |
| | | | |
| | | | |
| | | | |
| | | | |
| | | | |
| 2 | 47 | 02F000H | 02FFFFFFH |
| | | | |
| | 32 | 020000H | 020FFFFH |
| 1 | 31 | 01F000H | 01FFFFFFH |
| | | | |
| | 16 | 010000H | 010FFFFH |
| 0 | 15 | 00F000H | 00FFFFFFH |
| | | | |
| | 0 | 000000H | 000FFFFH |

4. DEVICE OPERATION

SPI Mode

Standard SPI

The GD25Q127C features a serial peripheral interface on 4 signals bus: Serial Clock (SCLK), Chip Select (CS#), Serial Data Input (SI) and Serial Data Output (SO). Both SPI bus mode 0 and 3 are supported. Input data is latched on the rising edge of SCLK and data shifts out on the falling edge of SCLK.

Dual SPI

The GD25Q127C supports Dual SPI operation when using the “Dual Output Fast Read” and “Dual I/O Fast Read” (3BH and BBH) commands. These commands allow data to be transferred to or from the device at two times the rate of the standard SPI. When using the Dual SPI command the SI and SO pins become bidirectional I/O pins: IO0 and IO1.

Quad SPI

The GD25Q127C supports Quad SPI operation when using the “Quad Output Fast Read,” “Quad I/O Fast Read,” “Quad I/O Word Fast Read”(6BH,EBH,E7H)commands. These commands allow data to be transferred to or from the device at four times the rate of the standard SPI. When using the Quad SPI command the SI and SO pins become bidirectional I/O pins: IO0 and IO1, and WP# and HOLD#/RESET# pins become IO2 and IO3. Quad SPI commands require the non-volatile Quad Enable bit(QE) in Status Register to be set.

Hold

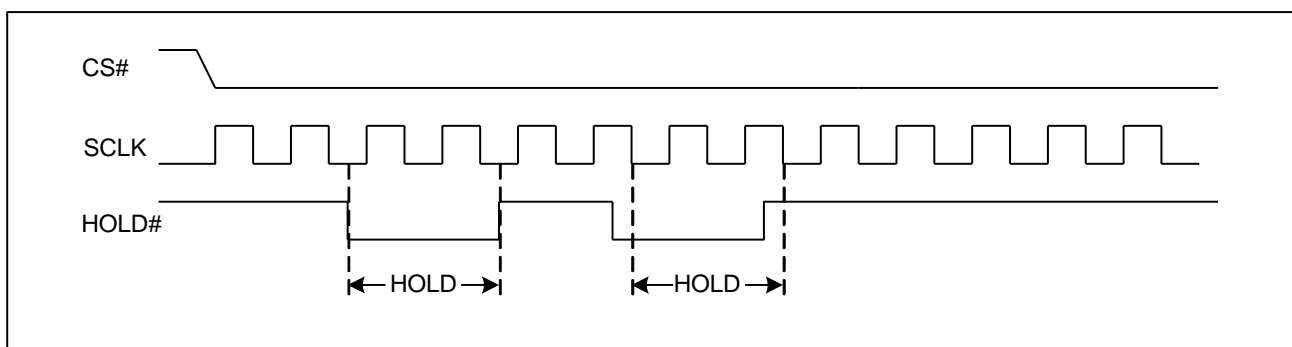
The HOLD/RST bit is used to determine whether HOLD# or RESET# function should be implemented on the hardware pin for 8-pin packages. When HOLD/RST=0, the pin7 acts as HOLD#, the HOLD# function is only available when QE=0, If QE=1, The HOLD# functions is disabled, the pin acts as dedicated data I/O pin.

The HOLD# signal goes low to stop any serial communications with the device, but doesn't stop the operation of write status register, programming, or erasing in progress.

The operation of HOLD, need CS# keep low, and starts on falling edge of the HOLD# signal, with SCLK signal being low (if SCLK is not being low, HOLD operation will not start until SCLK being low). The HOLD condition ends on rising edge of HOLD# signal with SCLK being low (If SCLK is not being low, HOLD operation will not end until SCLK being low).

The SO is high impedance, both SI and SCLK don't care during the HOLD operation, if CS# drives high during HOLD operation, it will reset the internal logic of the device. To re-start communication with chip, the HOLD# must be at high and then CS# must be at low.

Figure1. Hold Condition

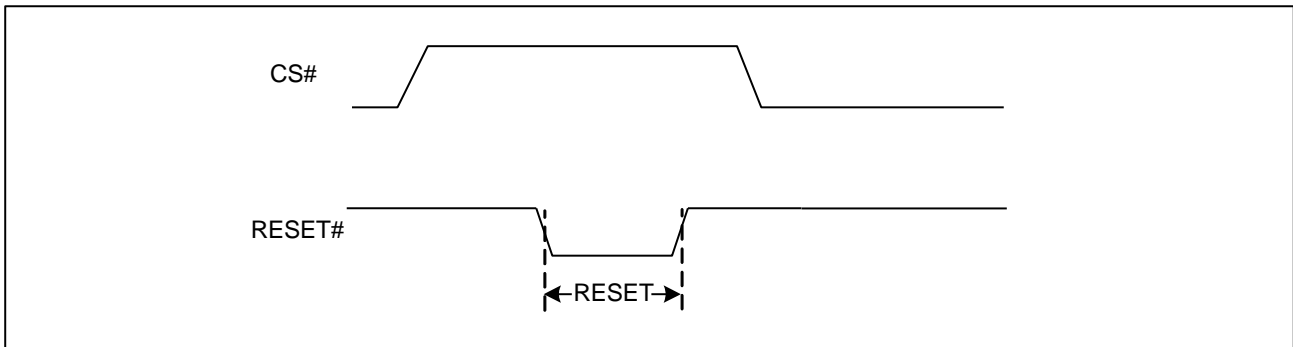


RESET

The RESET# pin allows the device to be reset by the control. For the WSON8 package, the pin7 can be configured as a RESET# pin depending on the status register setting, which need QE=0 and HOLD/RST=1. On the SOP16 package, a dedicated RESET# pin is provided and it is independent of QE bit setting.

The RESET# pin goes low for a period of t_{LRH} or longer will reset the flash. After reset cycle, the flash is at the following states:

- Standby mode
- All the volatile bits will return to the default status as power on.

Figure2. RESET Condition

5. DATA PROTECTION

The GD25Q127C provide the following data protection methods:

- ◆ Write Enable (WREN) command: The WREN command is set the Write Enable Latch bit (WEL). The WEL bit will return to reset by the following situation:
 - Power-Up
 - Write Disable (WRDI)
 - Write Status Register (WRSR)
 - Page Program (PP)
 - Sector Erase (SE) / Block Erase (BE) / Chip Erase (CE)
- ◆ Software Protection Mode:
 - The Block Protect (BP4, BP3, BP2, BP1, and BP0) bits define the section of the memory array that can be read but not change.
- ◆ Hardware Protection Mode: WP# going low to protected the writable bit of Status Register.
- ◆ Deep Power-Down Mode: In Deep Power-Down Mode, all commands are ignored except the Release from Deep Power-Down Mode command.

Table 5.1. GD25Q127C Protected area size (CMP=0)

| Status Register Content | | | | | Memory Content | | | |
|-------------------------|-----|-----|-----|-----|----------------|------------------|---------|--------------|
| BP4 | BP3 | BP2 | BP1 | BP0 | Blocks | Addresses | Density | Portion |
| X | X | 0 | 0 | 0 | NONE | NONE | NONE | NONE |
| 0 | 0 | 0 | 0 | 1 | 252 to 255 | FC0000H-FFFFFFH | 256KB | Upper 1/64 |
| 0 | 0 | 0 | 1 | 0 | 248 to 255 | F80000H-FFFFFFH | 512KB | Upper 1/32 |
| 0 | 0 | 0 | 1 | 1 | 240 to 255 | F00000H-FFFFFFH | 1MB | Upper 1/16 |
| 0 | 0 | 1 | 0 | 0 | 224 to 255 | E00000H-FFFFFFH | 2MB | Upper 1/8 |
| 0 | 0 | 1 | 0 | 1 | 192 to 255 | C00000H-FFFFFFH | 4MB | Upper 1/4 |
| 0 | 0 | 1 | 1 | 0 | 128 to 255 | 800000H-FFFFFFH | 8MB | Upper 1/2 |
| 0 | 1 | 0 | 0 | 1 | 0 to 3 | 000000H-03FFFFH | 256KB | Lower 1/64 |
| 0 | 1 | 0 | 1 | 0 | 0 to 7 | 000000H-07FFFFH | 512KB | Lower 1/32 |
| 0 | 1 | 0 | 1 | 1 | 0 to 15 | 000000H-0FFFFFFH | 1MB | Lower 1/16 |
| 0 | 1 | 1 | 0 | 0 | 0 to 31 | 000000H-1FFFFFFH | 2MB | Lower 1/8 |
| 0 | 1 | 1 | 0 | 1 | 0 to 63 | 000000H-3FFFFFFH | 4MB | Lower 1/4 |
| 0 | 1 | 1 | 1 | 0 | 0 to 127 | 000000H-7FFFFFFH | 8MB | Lower 1/2 |
| X | X | 1 | 1 | 1 | 0 to 255 | 000000H-FFFFFFH | 16MB | ALL |
| 1 | 0 | 0 | 0 | 1 | 255 | FFF000H-FFFFFFH | 4KB | Top Block |
| 1 | 0 | 0 | 1 | 0 | 255 | FFE000H-FFFFFFH | 8KB | Top Block |
| 1 | 0 | 0 | 1 | 1 | 255 | FFC000H-FFFFFFH | 16KB | Top Block |
| 1 | 0 | 1 | 0 | X | 255 | FF8000H-FFFFFFH | 32KB | Top Block |
| 1 | 0 | 1 | 1 | 0 | 255 | FF8000H-FFFFFFH | 32KB | Top Block |
| 1 | 1 | 0 | 0 | 1 | 0 | 000000H-000FFFH | 4KB | Bottom Block |
| 1 | 1 | 0 | 1 | 0 | 0 | 000000H-001FFFH | 8KB | Bottom Block |
| 1 | 1 | 0 | 1 | 1 | 0 | 000000H-003FFFH | 16KB | Bottom Block |
| 1 | 1 | 1 | 0 | X | 0 | 000000H-007FFFH | 32KB | Bottom Block |



3.3V Uniform Sector Dual and Quad Serial Flash

GD25Q127C

| | | | | | | | | |
|---|---|---|---|---|---|------------------|------|--------------|
| 1 | 1 | 1 | 1 | 0 | 0 | 000000H-007FFFFH | 32KB | Bottom Block |
|---|---|---|---|---|---|------------------|------|--------------|

Table 5.2. GD25Q127C Protected area size (CMP=1)

| Status Register Content | | | | | Memory Content | | | |
|-------------------------|-----|-----|-----|-----|----------------|------------------|---------|-------------|
| BP4 | BP3 | BP2 | BP1 | BP0 | Blocks | Addresses | Density | Portion |
| X | X | 0 | 0 | 0 | 0 to 255 | 000000H-FFFFFFH | ALL | ALL |
| 0 | 0 | 0 | 0 | 1 | 0 to 251 | 000000H-FBFFFFH | 16128KB | Lower 63/64 |
| 0 | 0 | 0 | 1 | 0 | 0 to 247 | 000000H-F7FFFFH | 15872KB | Lower 31/32 |
| 0 | 0 | 0 | 1 | 1 | 0 to 239 | 000000H-EFFFFFFH | 15MB | Lower 15/16 |
| 0 | 0 | 1 | 0 | 0 | 0 to 223 | 000000H-DFFFFFFH | 14MB | Lower 7/8 |
| 0 | 0 | 1 | 0 | 1 | 0 to 191 | 000000H-BFFFFFFH | 12MB | Lower 3/4 |
| 0 | 0 | 1 | 1 | 0 | 0 to 127 | 000000H-7FFFFFFH | 8MB | Lower 1/2 |
| 0 | 1 | 0 | 0 | 1 | 4 to 255 | 040000H-FFFFFFH | 16128KB | Upper 63/64 |
| 0 | 1 | 0 | 1 | 0 | 8 to 255 | 080000H-FFFFFFH | 15872KB | Upper 31/32 |
| 0 | 1 | 0 | 1 | 1 | 16 to 255 | 100000H-FFFFFFH | 15MB | Upper 15/16 |
| 0 | 1 | 1 | 0 | 0 | 32 to 255 | 200000H-FFFFFFH | 14MB | Upper 7/8 |
| 0 | 1 | 1 | 0 | 1 | 64 to 255 | 400000H-FFFFFFH | 12MB | Upper 3/4 |
| 0 | 1 | 1 | 1 | 0 | 128 to 255 | 800000H-FFFFFFH | 8MB | Upper 1/2 |
| X | X | 1 | 1 | 1 | NONE | NONE | NONE | NONE |
| 1 | 0 | 0 | 0 | 1 | 0 to 255 | 000000H-FFEFFFFH | 16380KB | L-4095/4096 |
| 1 | 0 | 0 | 1 | 0 | 0 to 255 | 000000H-FFDFFFFH | 16376KB | L-2047/2048 |
| 1 | 0 | 0 | 1 | 1 | 0 to 255 | 000000H-FFBFFFFH | 16368KB | L-1023/1024 |
| 1 | 0 | 1 | 0 | X | 0 to 255 | 000000H-FF7FFFFH | 16352KB | L-511/512 |
| 1 | 0 | 1 | 1 | 0 | 0 to 255 | 000000H-FF7FFFFH | 16352KB | L-511/512 |
| 1 | 1 | 0 | 0 | 1 | 0 to 255 | 001000H-FFFFFFH | 16380KB | U-4095/4096 |
| 1 | 1 | 0 | 1 | 0 | 0 to 255 | 002000H-FFFFFFH | 16376KB | U-2047/2048 |
| 1 | 1 | 0 | 1 | 1 | 0 to 255 | 004000H-FFFFFFH | 16368KB | U-1023/1024 |
| 1 | 1 | 1 | 0 | X | 0 to 255 | 008000H-FFFFFFH | 16352KB | U-511/512 |
| 1 | 1 | 1 | 1 | 0 | 0 to 255 | 008000H-FFFFFFH | 16352KB | U-511/512 |

6. STATUS REGISTER

| | | | | | | | |
|-----------------|-------------|-------------|-----------------|-----------------|------------|-----------------|-----------------|
| S23 | S22 | S21 | S20 | S19 | S18 | S17 | S16 |
| HOLD/RST | DRV1 | DRV0 | Reserved | Reserved | LPE | Reserved | Reserved |

| | | | | | | | |
|-------------|------------|------------|------------|------------|-------------|-----------|-------------|
| S15 | S14 | S13 | S12 | S11 | S10 | S9 | S8 |
| SUS1 | CMP | LB3 | LB2 | LB1 | SUS2 | QE | SRP1 |

| | | | | | | | |
|-------------|------------|------------|------------|------------|------------|------------|------------|
| S7 | S6 | S5 | S4 | S3 | S2 | S1 | S0 |
| SRP0 | BP4 | BP3 | BP2 | BP1 | BP0 | WEL | WIP |

The status and control bits of the Status Register are as follows:

WIP bit.

The Write in Progress (WIP) bit indicates whether the memory is busy in program/erase/write status register progress. When WIP bit sets to 1, means the device is busy in program/erase/write status register progress, when WIP bit sets 0, means the device is not in program/erase/write status register progress.

WEL bit.

The Write Enable Latch (WEL) bit indicates the status of the internal Write Enable Latch. When set to 1 the internal Write Enable Latch is set, when set to 0 the internal Write Enable Latch is reset and no Write Status Register, Program or Erase command is accepted.

BP4, BP3, BP2, BP1, BP0 bits.

The Block Protect (BP4, BP3, BP2, BP1 and BP0) bits are non-volatile. They define the size of the area to be software protected against Program and Erase commands. These bits are written with the Write Status Register (WRSR) command. When the Block Protect (BP4, BP3, BP2, BP1, BP0) bits are set to 1, the relevant memory area (as defined in Table1).becomes protected against Page Program (PP), Sector Erase (SE) and Block Erase (BE) commands. The Block Protect (BP4, BP3, BP2, BP1, and BP0) bits can be written provided that the Hardware Protected mode has not been set. The Chip Erase (CE) command is executed, only if the Block Protect (BP2, BP1, and BP0) bits are 0 and CMP=0.

SRP1, SRP0 bits.

The Status Register Protect (SRP1 and SRP0) bits are non-volatile Read/Write bits in the status register. The SRP bits control the method of write protection: software protection, hardware protection, power supply lock-down or one time programmable protection.

| SRP1 | SRP0 | #WP | Status Register | Description |
|-------------|-------------|------------|---------------------------|---|
| 0 | 0 | X | Software Protected | The Status Register can be written to after a Write Enable command, WEL=1.(Default) |
| 0 | 1 | 0 | Hardware Protected | WP#=0, the Status Register locked and can not be written to. |
| 0 | 1 | 1 | Hardware Unprotected | WP#=1, the Status Register is unlocked and can be written to after a Write Enable command, WEL=1. |
| 1 | 0 | X | Power Supply Lock-Down(1) | Status Register is protected and can not be written to again until the next Power-Down, Power-Up cycle. |
| 1 | 1 | X | One Time Program(2) | Status Register is permanently protected and can not be written to. |

NOTE:

1. When SRP1, SRP0= (1, 0), a Power-Down, Power-Up cycle will change SRP1, SRP0 to (0, 0) state.

2. This feature is available on special order. (GD25Q127CxxSx) Please contact GigaDevice for details.

QE bit.

The Quad Enable (QE) bit is a non-volatile Read/Write bit in the Status Register that allows Quad operation. When the QE bit is set to 0 (Default) the WP# pin and HOLD# / RESET# pin are enable. When the QE pin is set to 1, the Quad IO2 and IO3 pins are enabled. (The QE bit should never be set to 1 during standard SPI or Dual SPI operation if the WP# or HOLD# / RESET# pins are tied directly to the power supply or ground)

LB3, LB2, LB1, bits.

The LB3, LB2, LB1, bits are non-volatile One Time Program (OTP) bits in Status Register (S13-S11) that provide the write protect control and status to the Security Registers. The default state of LB3-LB1 are 0, the security registers are unlocked. The LB3-LB1 bits can be set to 1 individually using the Write Register instruction. The LB3-LB1 bits are One Time Programmable, once its set to 1, the Security Registers will become read-only permanently.

CMP bit

The CMP bit is a non-volatile Read/Write bit in the Status Register (S14). It is used in conjunction the BP4-BP0 bits to provide more flexibility for the array protection. Please see the Status registers Memory Protection table for details. The default setting is CMP=0.

SUS1, SUS2 bit

The SUS1 and SUS2 bit are read only bit in the status register (S15 and S10) that are set to 1 after executing an Program/Erase Suspend (75H) command (The Erase Suspend will set the SUS1 to 1, and the Program Suspend will set the SUS2 to 1). The SUS1 and SUS2 bit are cleared to 0 by Program/Erase Resume (7AH) command as well as a power-down, power-up cycle.

DRV1/DRV0

The DRV1&DRV0 bits are used to determine the output driver strength for the Read operations.

| DRV1,DRV0 | Driver Strength |
|-----------|-----------------|
| 00 | 100% |
| 01 | 75% |
| 10 | 50% (default) |
| 11 | 25% |

HOLD/RST

The HOLD/RST bit is used to determine whether HOLD# or RESET# function should be implemented on the hardware pin for 8-pin packages. When HOLD/RST=0, the pin acts as HOLD#, When the HOLD/RST=1, the pin acts as RESET#. However, the HOLD# or RESET# function are only available when QE=0, If QE=1, The HOLD# and RESET# functions are disabled, the pin acts as dedicated data I/O pin.

LPE bit

The Low Power Enable (LPE) bit is a non-volatile writable bit, indicating the status of Low Power Mode (LPM). When LPE bit sets to 1, it means the device is in Low Power Mode, when LPE bit sets 0 (default), it means the device is not in Low Power Mode.

7. COMMANDS DESCRIPTION

All commands, addresses and data are shifted in and out of the device, beginning with the most significant bit on the first rising edge of SCLK after CS# is driven low. Then, the one-byte command code must be shifted in to the device, most significant bit first on SI, each bit being latched on the rising edges of SCLK.

See Table 7.1., every command sequence starts with a one-byte command code. Depending on the command, this might be followed by address bytes, or by data bytes, or by both or none. CS# must be driven high after the last bit of the command sequence has been shifted in. For the command of Read, Fast Read, Read Status Register or Release from Deep Power-Down, and Read Device ID, the shifted-in command sequence is followed by a data-out sequence. CS# can be driven high after any bit of the data-out sequence is being shifted out.

For the command of Page Program, Sector Erase, Block Erase, Chip Erase, Write Status Register, Write Enable, Write Disable or Deep Power-Down command, CS# must be driven high exactly at a byte boundary, otherwise the command is rejected, and is not executed. That is CS# must driven high when the number of clock pulses after CS# being driven low is an exact multiple of eight. For Page Program, if at any time the input byte is not a full byte, nothing will happen and WEL will not be reset.

Table 7.1. Commands (Standard/Dual/Quad SPI)

| Command Name | Byte 1 | Byte 2 | Byte 3 | Byte 4 | Byte 5 | Byte 6 | n-Bytes |
|---|------------|--------------------------------|-------------------------------|------------------------|------------------------|------------------------|--------------|
| Write Enable | 06H | | | | | | |
| Write Disable | 04H | | | | | | |
| Volatile SR Write Enable | 50H | | | | | | |
| Read Status Register-1 | 05H | (S7-S0) | | | | | (continuous) |
| Read Status Register-2 | 35H | (S15-S8) | | | | | (continuous) |
| Read Status Register-3 | 15H | (S23-S16) | | | | | |
| Write Status Register-1 | 01H | (S7-S0) | | | | | |
| Write Status Register-2 | 31H | (S15-S8) | | | | | |
| Write Status Register-3 | 11H | (S23-S16) | | | | | |
| Read Data | 03H | A23-A16 | A15-A8 | A7-A0 | (D7-D0) | (Next byte) | (continuous) |
| Fast Read | 0BH | A23-A16 | A15-A8 | A7-A0 | dummy | (D7-D0) | (continuous) |
| Dual Output Fast Read | 3BH | A23-A16 | A15-A8 | A7-A0 | dummy | (D7-D0) ⁽¹⁾ | (continuous) |
| Dual I/O Fast Read | BBH | A23-A8 ⁽²⁾ | A7-A0 M7-M0 ⁽²⁾ | (D7-D0) ⁽¹⁾ | | | (continuous) |
| Quad Output Fast Read | 6BH | A23-A16 | A15-A8 | A7-A0 | dummy | (D7-D0) ⁽³⁾ | (continuous) |
| Quad I/O Fast Read | EBH | A23-A0 M7-M0 ⁽⁴⁾ | dummy ⁽⁵⁾ | (D7-D0) ⁽³⁾ | | | (continuous) |
| Quad I/O Word Fast Read ⁽⁷⁾ | E7H | A23-A0 M7-M0 ⁽⁴⁾ | dummy ⁽⁶⁾ | (D7-D0) ⁽³⁾ | | | (continuous) |
| Page Program | 02H | A23-A16 | A15-A8 | A7-A0 | (D7-D0) | Next byte | |
| Quad Page Program | 32H | A23-A16 | A15-A8 | A7-A0 | (D7-D0) ⁽³⁾ | | |
| Sector Erase | 20H | A23-A16 | A15-A8 | A7-A0 | | | |
| Block Erase(32K) | 52H | A23-A16 | A15-A8 | A7-A0 | | | |
| Block Erase(64K) | D8H | A23-A16 | A15-A8 | A7-A0 | | | |
| Chip Erase | C7/60 H | | | | | | |
| Enable Reset | 66H | | | | | | |
| Reset | 99H | | | | | | |
| Set Burst with Wrap | 77H | dummy ⁽⁹⁾ W7-W0 | | | | | |
| Program/Erase | 75H | | | | | | |



3.3V Uniform Sector Dual and Quad Serial Flash

GD25Q127C

| | | | | | | | |
|--|-----|---------------|--|----------------------------|-------------|-------------|--------------|
| Suspend | | | | | | | |
| Program/Erase Resume | 7AH | | | | | | |
| Release From Deep Power-Down, And Read Device ID | ABH | dummy | dummy | dummy | (DID7-DID0) | | (continuous) |
| Release From Deep Power-Down | ABH | | | | | | |
| Deep Power-Down | B9H | | | | | | |
| Manufacturer/Device ID | 90H | dummy | dummy | 00H | (MID7-MID0) | (DID7-DID0) | (continuous) |
| Manufacturer/Device ID by Dual I/O | 92H | A23-A8 | A7-A0, M7-M0 | (MID7-MID0) (DID7-DID0) | | | (continuous) |
| Manufacturer/Device ID by Quad I/O | 94H | A23-A0, M7-M0 | dummy ⁽¹⁰⁾ (MID7-MID0) (DID7-DID0) | | | | (continuous) |
| Read Identification | 9FH | (MID7-MID0) | (JDID15-JDID8) | (JDID7-JDID0) | | | (continuous) |
| Read Serial Flash Discoverable Parameter | 5AH | A23-A16 | A15-A8 | A7-A0 | dummy | (D7-D0) | (continuous) |
| Erase Security Registers ⁽⁸⁾ | 44H | A23-A16 | A15-A8 | A7-A0 | | | |
| Program Security Registers ⁽⁸⁾ | 42H | A23-A16 | A15-A8 | A7-A0 | (D7-D0) | (D7-D0) | |
| Read Security Registers ⁽⁸⁾ | 48H | A23-A16 | A15-A8 | A7-A0 | dummy | (D7-D0) | |

NOTE:

1. Dual Output data

IO0=(D6,D4,D2,D0)

IO1=(D7,D5,D3,D1)

2. Dual Input Address

IO0=A22,A20,A18,A16,A14,A12,A10,A8 A6,A4,A2,A0,M6,M4,M2,M0

IO1=A23,A21,A19,A17,A15,A13,A11,A9 A7,A5,A3,A1,M7,M5,M3,M1

3. Quad Output Data

IO0=(D4,D0,.....)

IO1=(D5,D1,.....)

IO2=(D6,D2,.....)

IO3=(D7,D3,.....)

4. Quad Input Address

IO0=A20,A16,A12,A8, A4,A0,M4,M0

IO1=A21,A17,A13,A9, A5,A1,M5,M1

IO2=A22,A18,A14,A10,A6,A2,M6,M2

IO3=A23,A19,A15,A11,A7,A3,M7,M3

5. Fast Read Quad I/O Data

IO0=(x,x,x,x, D4, D0,...)

IO1=(x,x,x,x, D5, D1,...)

IO2=(x,x,x,x, D6, D2,...)

IO3=(x,x,x,x, D7, D3,...)

6. Fast Word Read Quad I/O Data

IO0=(x,x, D4, D0,...)

IO1=(x,x, D5, D1,...)

IO2=(x,x, D6, D2,...)

IO3=(x,x, D7, D3,...)

7. Fast Word Read Quad I/O Data: the lowest address bit must be 0.

8. Security Registers Address:

Security Register1: A23-A16=00H, A15-A9=0001000b, A8-A0=Byte Address;

Security Register2: A23-A16=00H, A15-A9=0010000b, A8-A0=Byte Address;

Security Register3: A23-A16=00H, A15-A9=0011000b, A8-A0=Byte Address.

9. Dummy bits and Wrap Bits

IO0=(x,x, x,x, x,x, W4,x)

IO1=(x,x, x,x, x,x, W5, x)

IO2=(x,x, x,x, x,x, W6, x)

IO3=(x,x, x,x, x,x, x, x)

10. Address, Continuous Read Mode bits, Dummy bits, Manufacture ID and Device ID

IO0=(A20, A16, A12, A8, A4, A0, M4, M0, x,x, x,x, MID4, MID0, DID4, DID0, ...)

IO1=(A21, A17, A13, A9, A5, A1, M5, M1, x,x, x,x, MID5, MID1, DID5, DID1, ...)

IO2=(A22, A18, A14, A10, A6, A2, M6, M2,x,x, x,x, MID6, MID2, DID6, DID2, ...)

IO3=(A23, A19, A15, A11, A7, A3, M7, M3, x,x, x,x, MID7, MID3, DID7, DID3, ...)

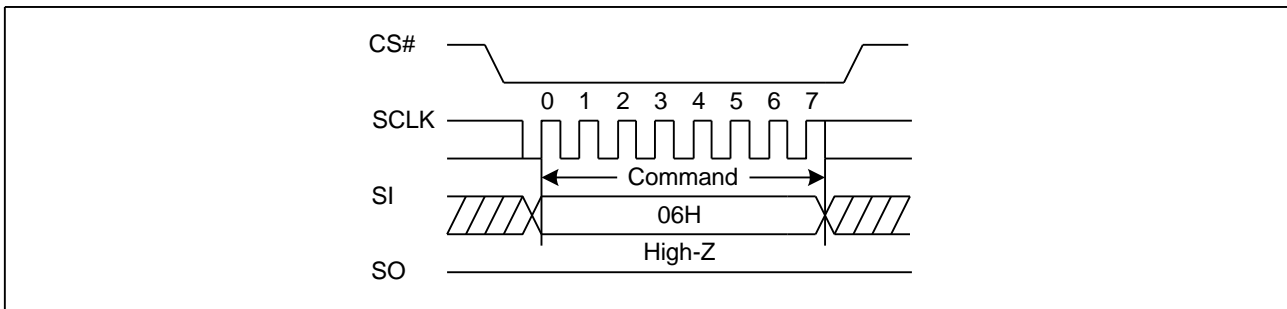
Table 7.2. Table of ID Definitions for GD25Q127C

| Operation Code | MID7-MID0 | ID15-ID8 | ID7-ID0 |
|----------------|-----------|----------|---------|
| 9FH | C8 | 40 | 18 |
| 90H/92H/94H | C8 | | 17 |
| ABH | | | 17 |

7.1. Write Enable (WREN) (06H)

The Write Enable (WREN) command is for setting the Write Enable Latch (WEL) bit. The Write Enable Latch (WEL) bit must be set prior to every Page Program (PP), Sector Erase (SE), Block Erase (BE), Chip Erase (CE), Write Status Register (WRSR) and Erase/Program Security Registers command. The Write Enable (WREN) command sequence: CS# goes low → sending the Write Enable command → CS# goes high.

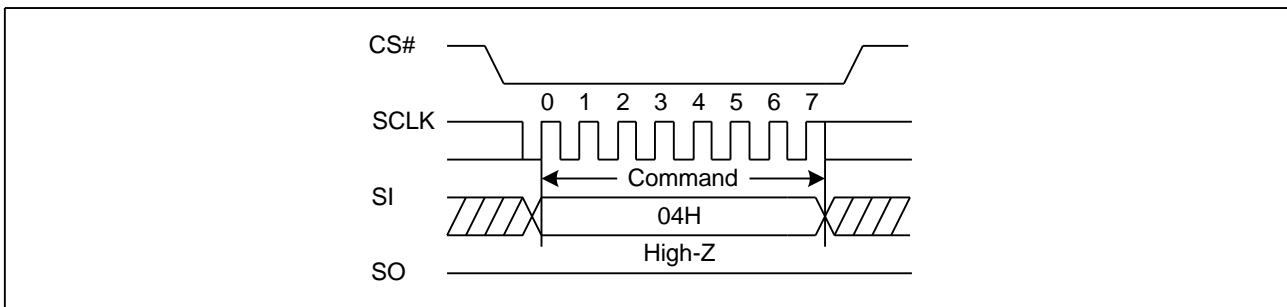
Figure3. Write Enable Sequence Diagram



7.2. Write Disable (WRDI) (04H)

The Write Disable command is for resetting the Write Enable Latch (WEL) bit. The Write Disable command sequence: CS# goes low → Sending the Write Disable command → CS# goes high. The WEL bit is reset by following condition: Power-up and upon completion of the Write Status Register, Page Program, Sector Erase, Block Erase, Chip Erase, Erase/Program Security Registers and Reset commands.

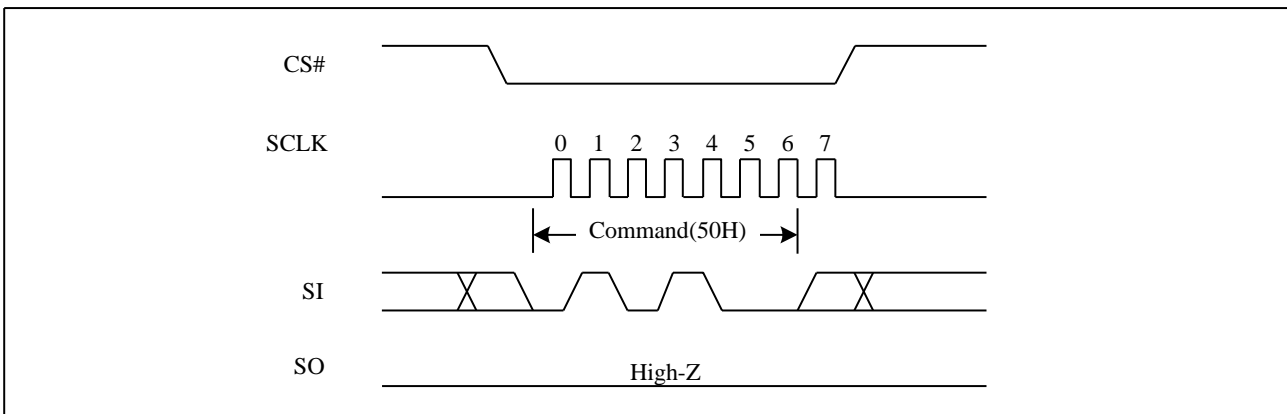
Figure4. Write Disable Sequence Diagram



7.3. Write Enable for Volatile Status Register (50H)

The non-volatile Status Register bits can also be written to as volatile bits. This gives more flexibility to change the system configuration and memory protection schemes quickly without waiting for the typical non-volatile bit write cycles or affecting the endurance of the Status Register non-volatile bits. The Write Enable for Volatile Status Register command must be issued prior to a Write Status Register command. The Write Enable for Volatile Status Register command will not set the Write Enable Latch bit, it is only valid for the Write Status Register command to change the volatile Status Register bit values.

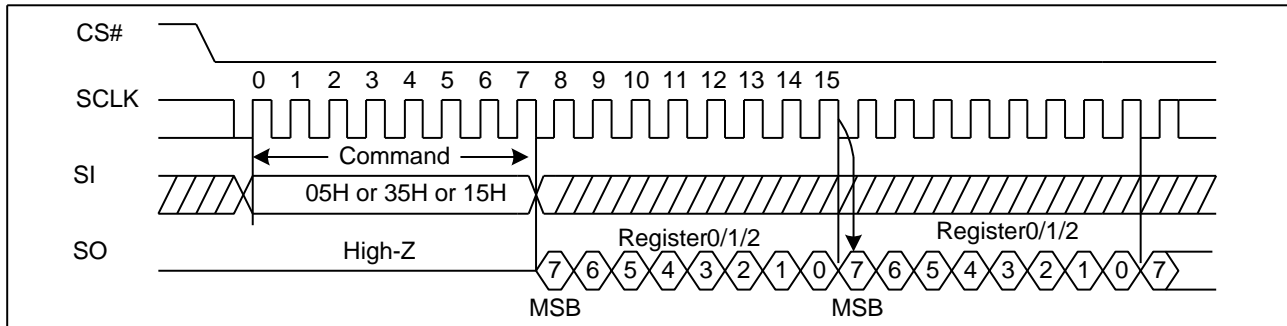
Figure5. Write Enable for Volatile Status Register Sequence Diagram



7.4. Read Status Register (RDSR) (05H or 35H or 15H)

The Read Status Register (RDSR) command is for reading the Status Register. The Status Register may be read at any time, even while a Program, Erase or Write Status Register cycle is in progress. When one of these cycles is in progress, it is recommended to check the Write in Progress (WIP) bit before sending a new command to the device. It is also possible to read the Status Register continuously. For command code “05H” / “35H” / “15H”, the SO will output Status Register bits S7~S0 / S15-S8 / S16-S23.

Figure6. Read Status Register Sequence Diagram



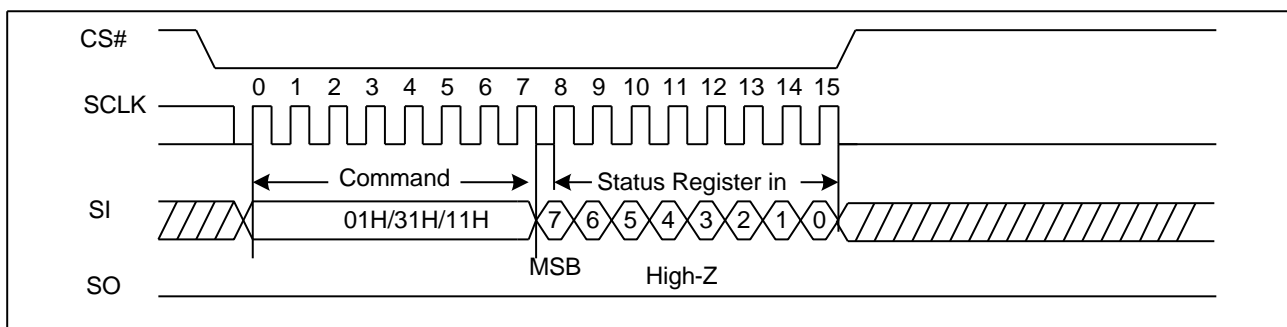
7.5. Write Status Register (WRSR) (01H or 31H or 11H)

The Write Status Register (WRSR) command allows new values to be written to the Status Register. Before it can be accepted, a Write Enable (WREN) command must previously have been executed. After the Write Enable (WREN) command has been decoded and executed, the device sets the Write Enable Latch (WEL).

The Write Status Register (WRSR) command has no effect on S20, S19, S17, S16, S15, S10, S1 and S0 of the Status Register. CS# must be driven high after the eighth of the data byte has been latched in. If not, the Write Status Register (WRSR) command is not executed. As soon as CS# is driven high, the self-timed Write Status Register cycle (whose duration is t_w) is initiated. While the Write Status Register cycle is in progress, the Status Register may still be read to check the value of the Write In Progress (WIP) bit. The Write In Progress (WIP) bit is 1 during the self-timed Write Status Register cycle, and is 0 when it is completed. When the cycle is completed, the Write Enable Latch (WEL) is reset.

The Write Status Register (WRSR) command allows the user to change the values of the Block Protect (BP4, BP3, BP2, BP1, and BP0) bits, to define the size of the area that is to be treated as read-only. The Write Status Register (WRSR) command also allows the user to set or reset the Status Register Protect (SRP1 and SRP0) bits in accordance with the Write Protect (WP#) signal. The Status Register Protect (SRP1 and SRP0) bits and Write Protect (WP#) signal allow the device to be put in the Hardware Protected Mode. The Write Status Register (WRSR) command is not executed once the Hardware Protected Mode is entered.

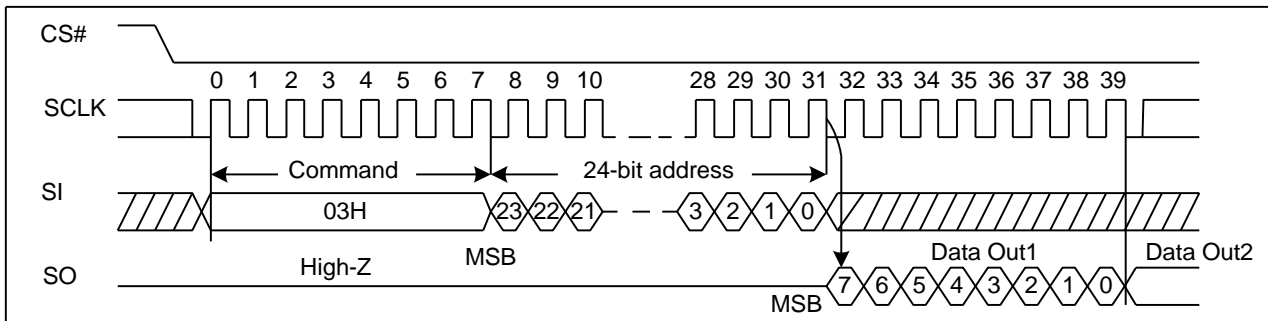
Figure7. Write Status Register Sequence Diagram



7.6. Read Data Bytes (READ) (03H)

The Read Data Bytes (READ) command is followed by a 3-byte address (A23-A0), each bit being latched-in during the rising edge of SCLK. Then the memory content, at that address, is shifted out on SO, each bit being shifted out, at a Max frequency f_R , during the falling edge of SCLK. The first byte addressed can be at any location. The address is automatically incremented to the next higher address after each byte of data is shifted out. The whole memory can, therefore, be read with a single Read Data Bytes (READ) command. Any Read Data Bytes (READ) command, while an Erase, Program or Write cycle is in progress, is rejected without having any effects on the cycle that is in progress.

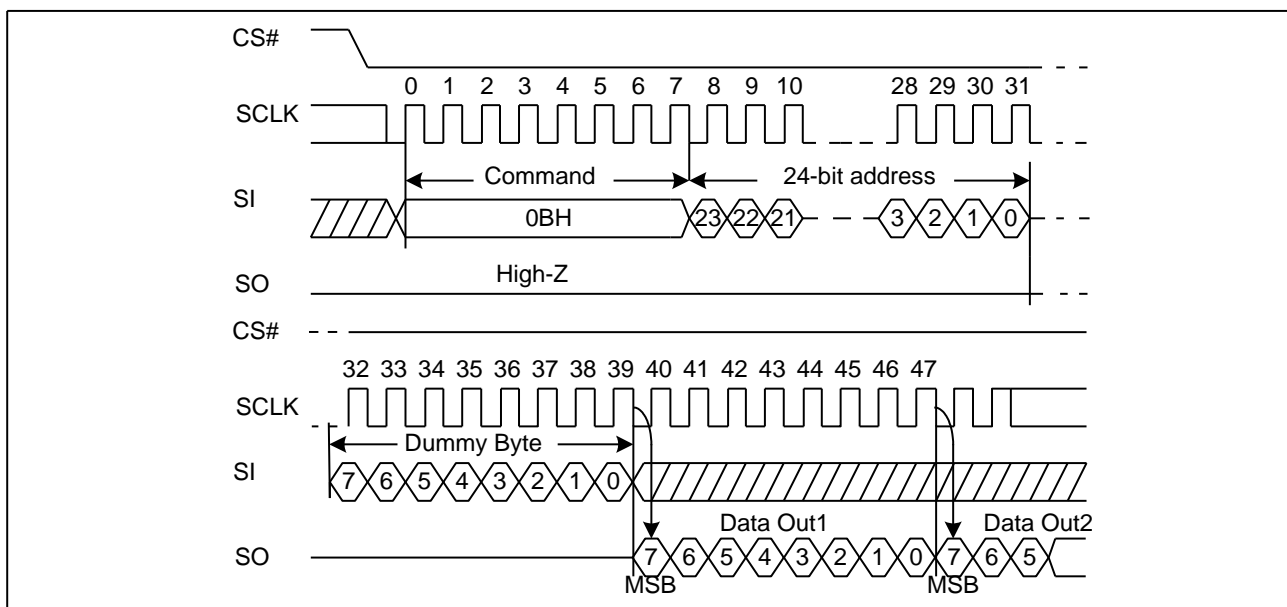
Figure8. Read Data Bytes Sequence Diagram



7.7. Read Data Bytes at Higher Speed (Fast Read) (0BH)

The Read Data Bytes at Higher Speed (Fast Read) command is for quickly reading data out. It is followed by a 3-byte address (A23-A0) and a dummy byte, each bit being latched-in during the rising edge of SCLK. Then the memory content, at that address, is shifted out on SO, each bit being shifted out, at a Max frequency f_c , during the falling edge of SCLK. The first byte addressed can be at any location. The address is automatically incremented to the next higher address after each byte of data is shifted out.

Figure9. Read Data Bytes at Higher Speed Sequence Diagram

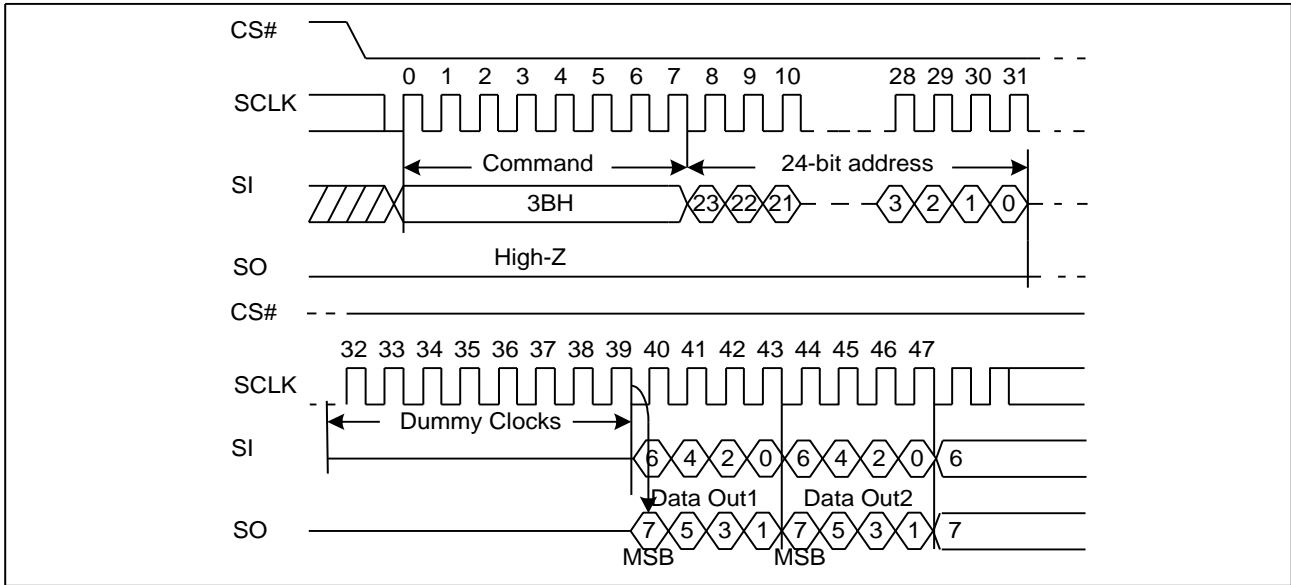


7.8. Dual Output Fast Read (3BH)

The Dual Output Fast Read command is followed by 3-byte address (A23-A0) and a dummy byte, each bit being latched in during the rising edge of SCLK, then the memory contents are shifted out 2-bit per clock cycle from SI and SO.

The command sequence is shown in followed Figure 10. The first byte addressed can be at any location. The address is automatically incremented to the next higher address after each byte of data is shifted out.

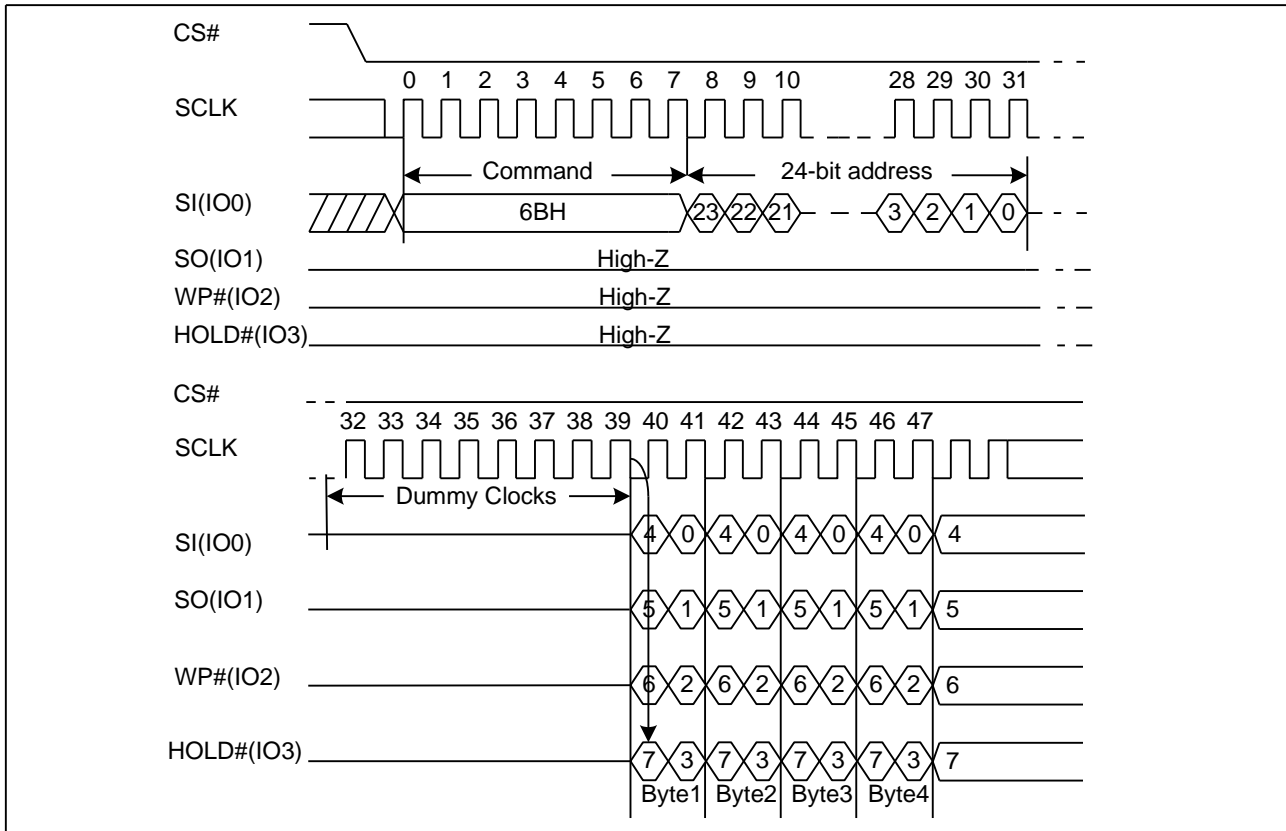
Figure10. Dual Output Fast Read Sequence Diagram



7.9. Quad Output Fast Read (6BH)

The Quad Output Fast Read command is followed by 3-byte address (A23-A0) and a dummy byte, each bit being latched in during the rising edge of SCLK, then the memory contents are shifted out 4-bit per clock cycle from IO3, IO2, IO1 and IO0. The command sequence is shown in followed Figure11. The first byte addressed can be at any location. The address is automatically incremented to the next higher address after each byte of data is shifted out.

Figure11. Quad Output Fast Read Sequence Diagram



7.10. Dual I/O Fast Read (BBH)

The Dual I/O Fast Read command is similar to the Dual Output Fast Read command but with the capability to input the 3-byte address (A23-0) and a “Continuous Read Mode” byte 2-bit per clock by SI and SO, each bit being latched in during the rising edge of SCLK, then the memory contents are shifted out 2-bit per clock cycle from SI and SO. The command sequence is shown in followed Figure12. The first byte addressed can be at any location. The address is automatically incremented to the next higher address after each byte of data is shifted out.

Dual I/O Fast Read with “Continuous Read Mode”

The Dual I/O Fast Read command can further reduce command overhead through setting the “Continuous Read Mode” bits (M7-4) after the input 3-byte address (A23-A0). If the “Continuous Read Mode” bits (M5-4)= (1, 0), then the next Dual I/O Fast Read command (after CS# is raised and then lowered) does not require the BBH command code. The command sequence is shown in followed Figure12a. If the “Continuous Read Mode” bits (M5-4) do not equal (1, 0), the next command requires the first BBH command code, thus returning to normal operation. A “Continuous Read Mode” Reset command can be used to reset (M5-4) before issuing normal command.

Figure12. Dual I/O Fast Read Sequence Diagram (M5-4≠(1, 0))

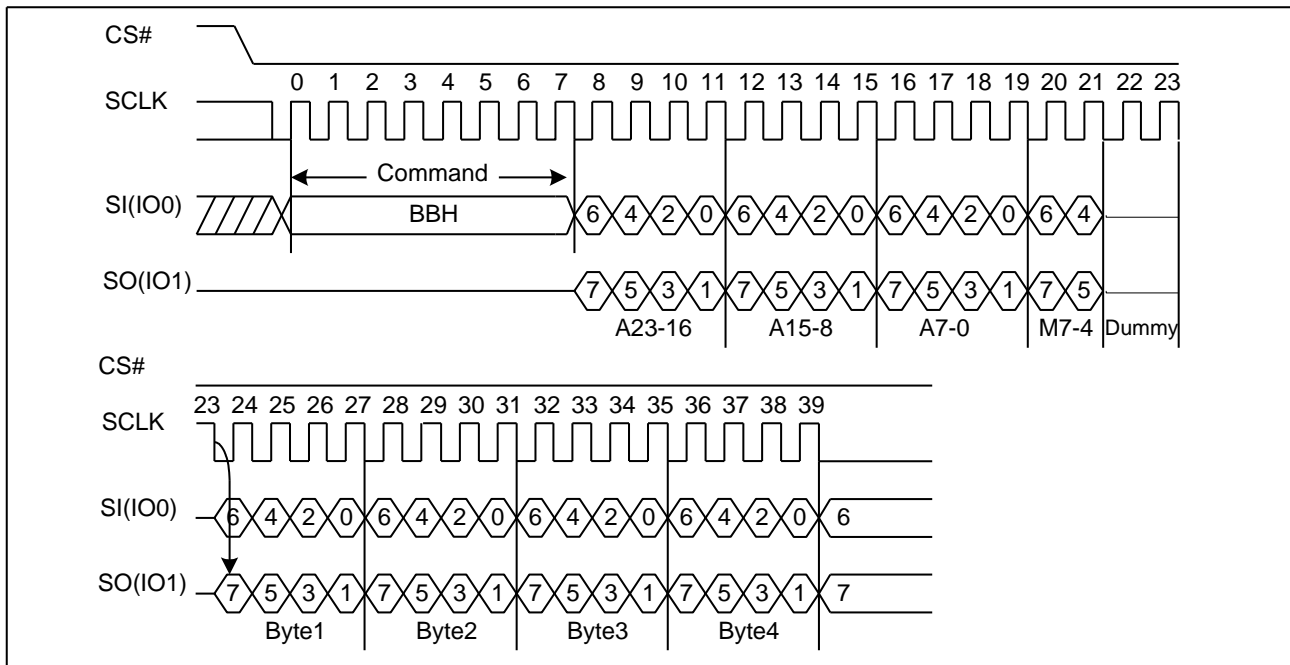
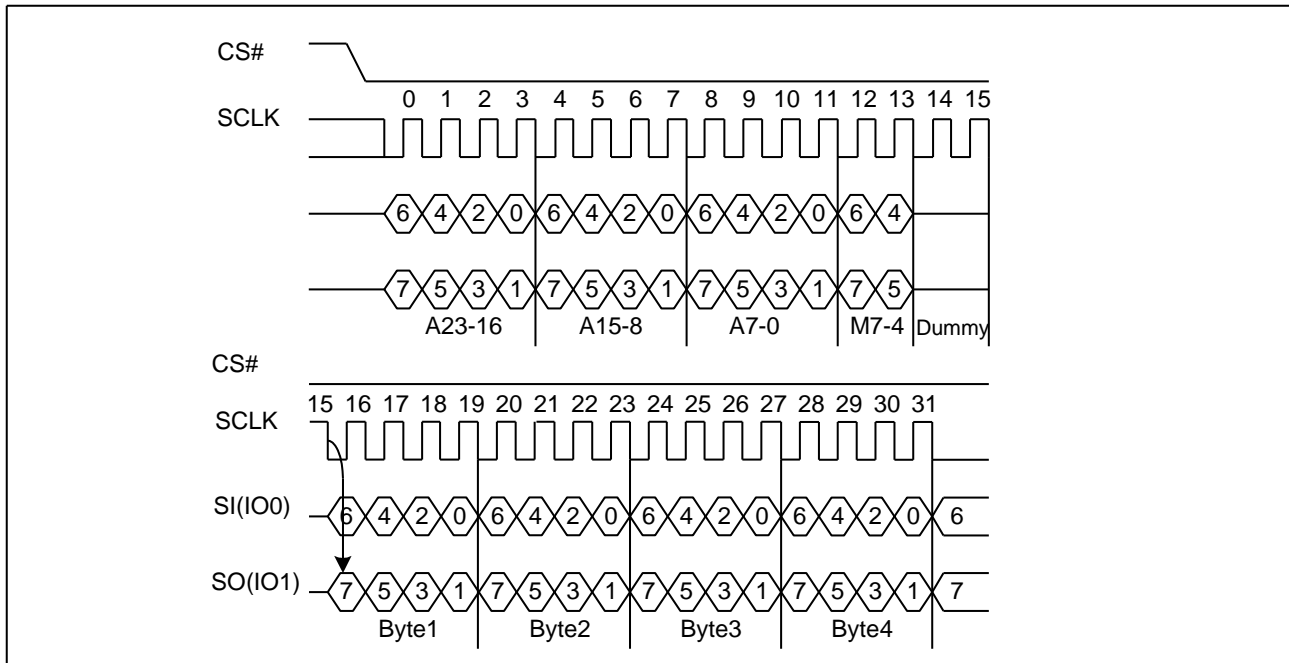


Figure12a. Dual I/O Fast Read Sequence Diagram (M5-4= (1, 0))



7.11. Quad I/O Fast Read (EBH)

The Quad I/O Fast Read command is similar to the Dual I/O Fast Read command but with the capability to input the 3-byte address (A23-0) and a “Continuous Read Mode” byte and 4-dummy clock4-bit per clock by IO0, IO1, IO2, IO3, each bit being latched in during the rising edge of SCLK, then the memory contents are shifted out 4-bit per clock cycle from IO0, IO1, IO2, IO3. The command sequence is shown in followed Figure13. The first byte addressed can be at any location. The address is automatically incremented to the next higher address after each byte of data is shifted out. The Quad Enable bit (QE) of Status Register (S9) must be set to enable for the Quad I/O Fast read command.

Quad I/O Fast Read with “Continuous Read Mode”

The Quad I/O Fast Read command can further reduce command overhead through setting the “Continuous Read Mode” bits (M7-0) after the input 3-byte address (A23-A0). If the “Continuous Read Mode” bits (M5-4) = (1, 0), then the next Quad I/O Fast Read command (after CS# is raised and then lowered) does not require the EBH command code. The command sequence is shown in followed Figure13a. If the “Continuous Read Mode” bits (M5-4) do not equal to (1, 0), the next command requires the first EBH command code, thus returning to normal operation. A “Continuous Read Mode” Reset command can be used to reset (M5-4) before issuing normal command.

Figure13. Quad I/O Fast Read Sequence Diagram (M5-4#(1, 0))

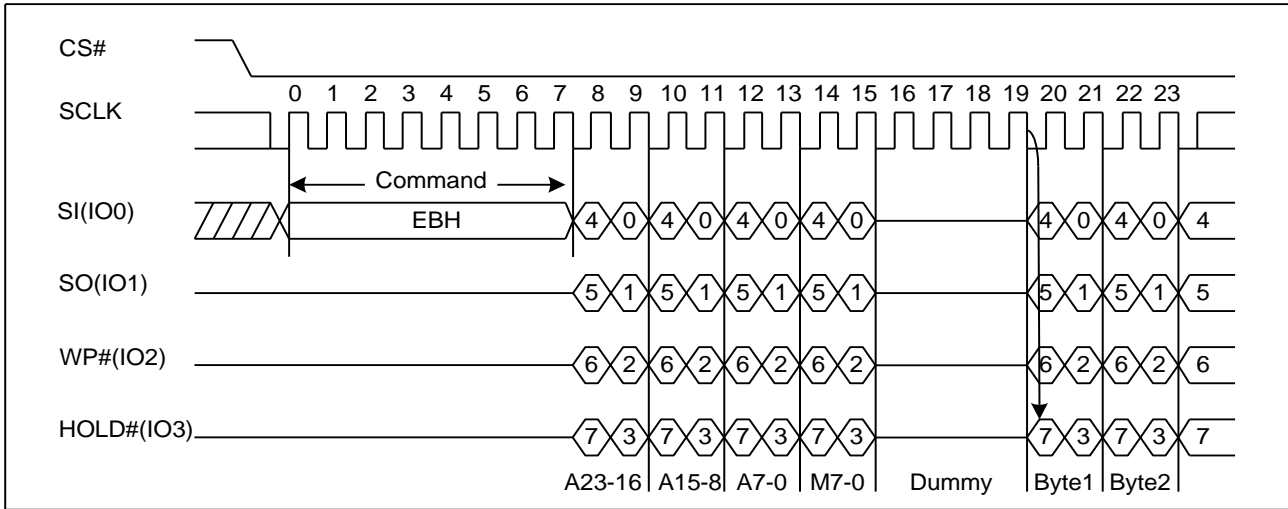
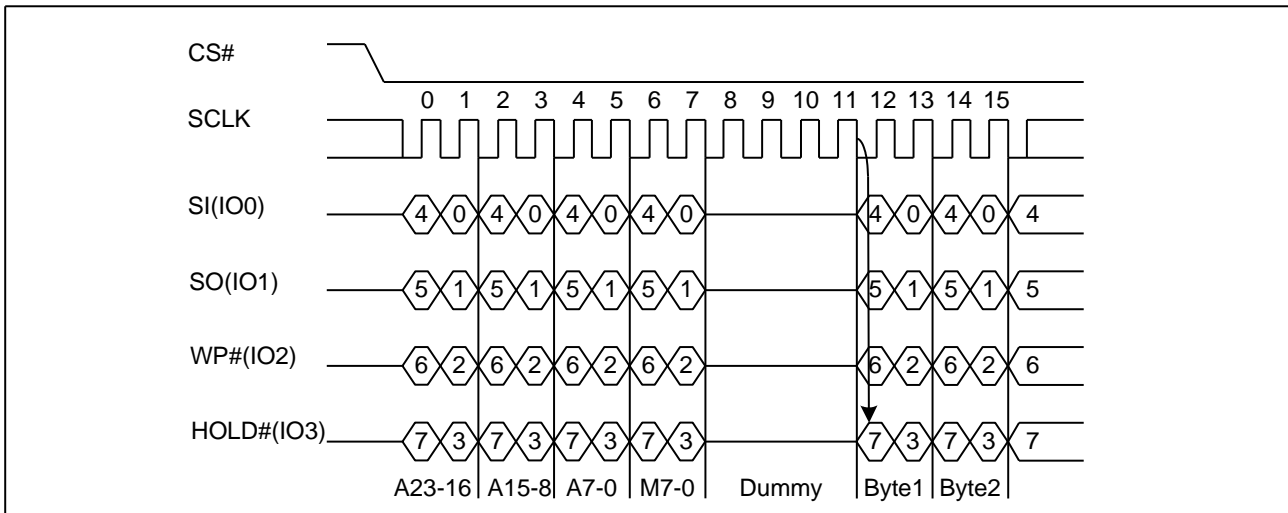


Figure13a. Quad I/O Fast Read Sequence Diagram (M5-4= (1, 0))



Quad I/O Fast Read with “8/16/32/64-Byte Wrap Around” in Standard SPI Mode

The Quad I/O Fast Read command can be used to access a specific portion within a page by issuing “Set Burst with Wrap” (77H) commands prior to EBH. The “Set Burst with Wrap” (77H) command can either enable or disable the “Wrap Around” feature for the following EBH commands. When “Wrap Around” is enabled, the data being accessed can be limited to either an 8/16/32/64-byte section of a 256-byte page. The output data starts at the initial address specified in the command, once it reaches the ending boundary of the 8/16/32/64-byte section, the output will wrap around the beginning boundary automatically until CS# is pulled high to terminate the command.

The Burst with Wrap feature allows applications that use cache to quickly fetch a critical address and then fill the cache afterwards within a fixed length (8/16/32/64-byte) of data without issuing multiple read commands. The “Set Burst with Wrap” command allows three “Wrap Bits” W6-W4 to be set. The W4 bit is used to enable or disable the “Wrap Around” operation while W6-W5 is used to specify the length of the wrap around section within a page.

7.12. Quad I/O Word Fast Read (E7H)

The Quad I/O Word Fast Read command is similar to the Quad I/O Fast Read command except that the lowest address bit (A0) must equal 0 and only 2-dummy clock. The command sequence is shown in followed Figure14. The first byte addressed can be at any location. The address is automatically incremented to the next higher address after each byte of data is shifted out. The Quad Enable bit (QE) of Status Register (S9) must be set to enable for the Quad I/O Word Fast read command.

Quad I/O Word Fast Read with “Continuous Read Mode”

The Quad I/O Word Fast Read command can further reduce command overhead through setting the “Continuous Read Mode” bits (M7-0) after the input 3-byte address (A23-A0). If the “Continuous Read Mode” bits (M5-4) =(1, 0), then the next Quad I/O Word Fast Read command (after CS# is raised and then lowered) does not require the E7H command code. The command sequence is shown in followed Figure14a. If the “Continuous Read Mode” bits (M5-4) do not equal to (1, 0), the next command requires the first E7H command code, thus returning to normal operation. A “Continuous Read Mode” Reset command can be used to reset (M5-4) before issuing normal command.

Figure14. Quad I/O Word Fast Read Sequence Diagram (M5-4≠ (1, 0))

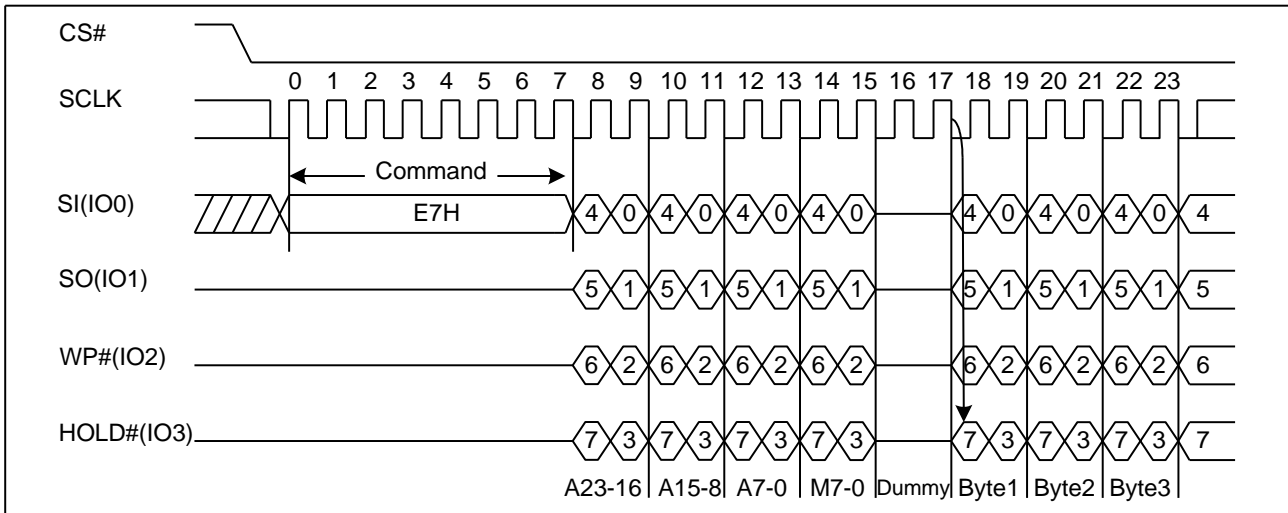
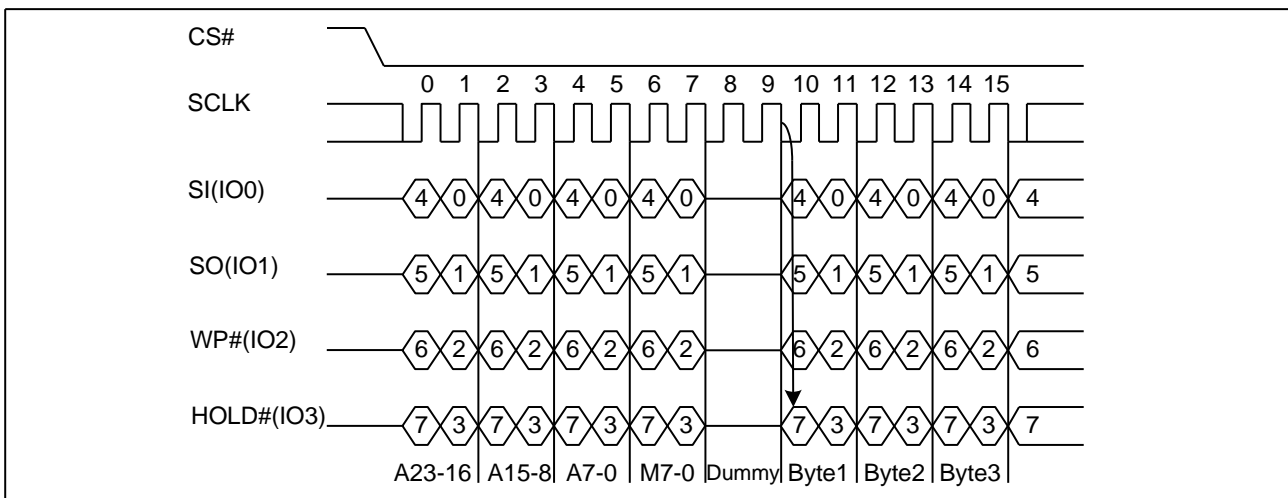


Figure14a. Quad I/O Word Fast Read Sequence Diagram (M5-4= (1, 0))



Quad I/O Word Fast Read with “8/16/32/64-Byte Wrap Around” in Standard SPI Mode

The Quad I/O Word Fast Read command can be used to access a specific portion within a page by issuing “Set Burst with Wrap” (77H) commands prior to E7H. The “Set Burst with Wrap” (77H) command can either enable or disable the “Wrap Around” feature for the following E7H commands. When “Wrap Around” is enabled, the data being accessed can be limited to either an 8/16/32/64-byte section of a 256-byte page. The output data starts at the initial address specified in the command, once it reaches the ending boundary of the 8/16/32/64-byte section, the output will wrap around the beginning boundary automatically until CS# is pulled high to terminate the command.

The Burst with Wrap feature allows applications that use cache to quickly fetch a critical address and then fill the cache afterwards within a fixed length (8/16/32/64-byte) of data without issuing multiple read commands. The “Set Burst with Wrap” command allows three “Wrap Bits” W6-W4 to be set. The W4 bit is used to enable or disable the “Wrap Around” operation while W6-W5 is used to specify the length of the wrap around section within a page.

7.13. Set Burst with Wrap (77H)

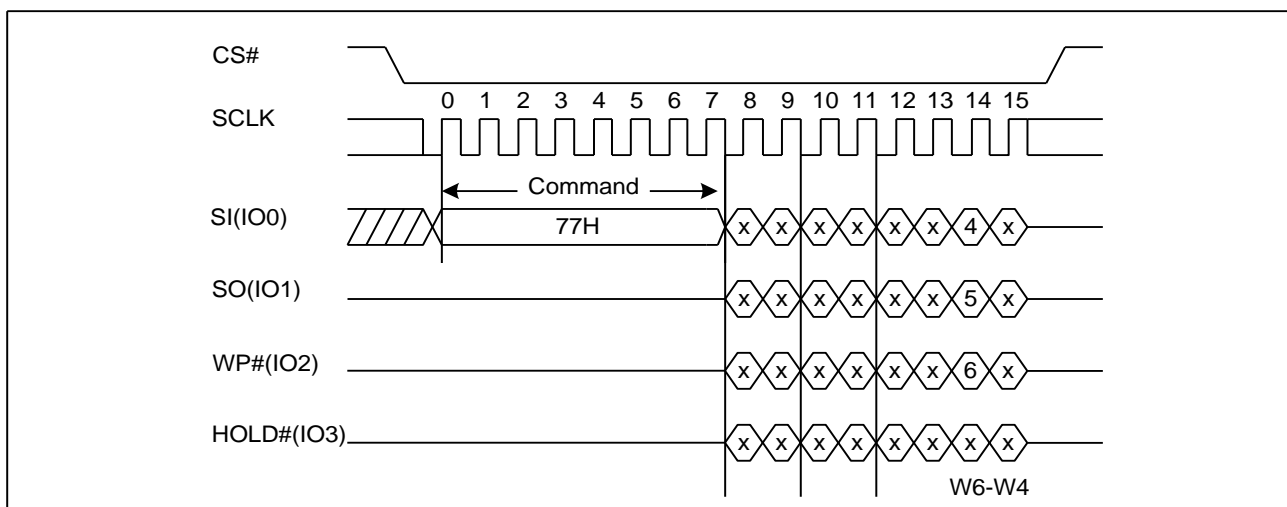
The Set Burst with Wrap command is used in conjunction with “Quad I/O Fast Read” and “Quad I/O Word Fast Read” command to access a fixed length of 8/16/32/64-byte section within a 256-byte page, in standard SPI mode.

The Set Burst with Wrap command sequence: CS# goes low → Send Set Burst with Wrap command → Send 24 dummy bits → Send 8 bits “Wrap bits” → CS# goes high.

| W6,W5 | W4=0 | | W4=1 (default) | |
|-------|-------------|-------------|----------------|-------------|
| | Wrap Around | Wrap Length | Wrap Around | Wrap Length |
| 0, 0 | Yes | 8-byte | No | N/A |
| 0, 1 | Yes | 16-byte | No | N/A |
| 1, 0 | Yes | 32-byte | No | N/A |
| 1, 1 | Yes | 64-byte | No | N/A |

If the W6-W4 bits are set by the Set Burst with Wrap command, all the following “Quad I/O Fast Read” and “Quad I/O Word Fast Read” command will use the W6-W4 setting to access the 8/16/32/64-byte section within any page. To exit the “Wrap Around” function and return to normal read operation, another Set Burst with Wrap command should be issued to set W4=1.

Figure15. Set Burst with Wrap Sequence Diagram



7.14. Page Program (PP) (02H)

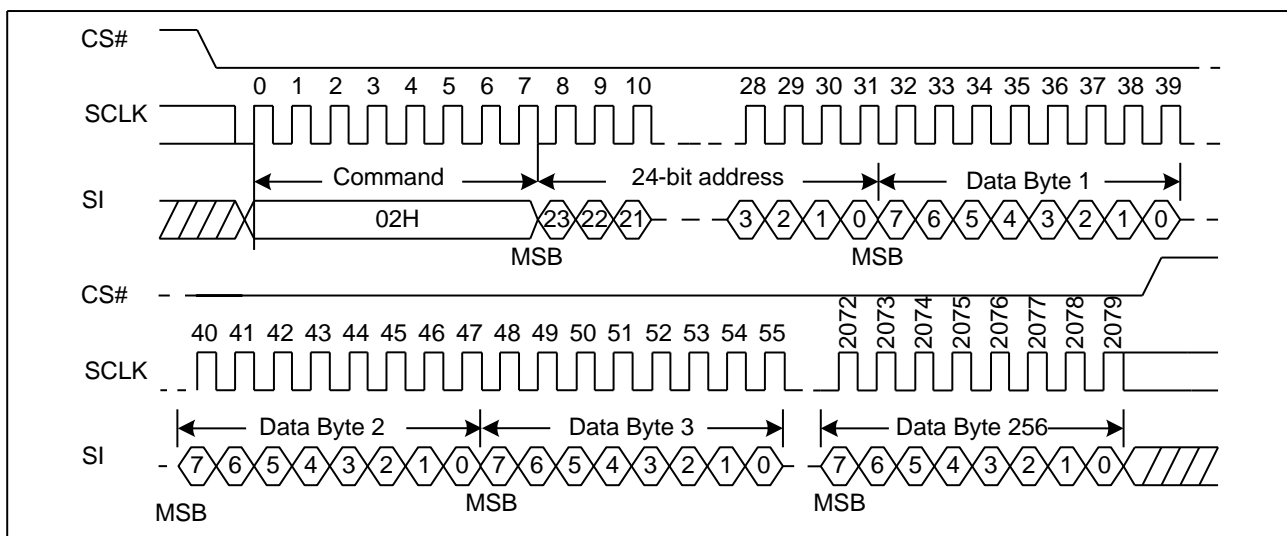
The Page Program (PP) command is for programming the memory. A Write Enable (WREN) command must previously have been executed to set the Write Enable Latch (WEL) bit before sending the Page Program command.

The Page Program (PP) command is entered by driving CS# Low, followed by the command code, three address bytes and at least one data byte on SI. If the 8 least significant address bits (A7-A0) are not all zero, all transmitted data that goes beyond the end of the current page are programmed from the start address of the same page (from the address whose 8 least significant bits (A7-A0) are all zero). CS# must be driven low for the entire duration of the sequence. The Page Program command sequence: CS# goes low → sending Page Program command → 3-byte address on SI → at least 1 byte data on SI → CS# goes high. The command sequence is shown in Figure16. If more than 256 bytes are sent to the device, previously latched data are discarded and the last 256 data bytes are guaranteed to be programmed correctly within the same page. If less than 256 data bytes are sent to device, they are correctly programmed at the requested addresses without having any effects on the other bytes of the same page. CS# must be driven high after the eighth bit of the last data byte has been latched in; otherwise the Page Program (PP) command is not executed.

As soon as CS# is driven high, the self-timed Page Program cycle (whose duration is t_{PP}) is initiated. While the Page Program cycle is in progress, the Status Register may be read to check the value of the Write in Progress (WIP) bit. The Write in Progress (WIP) bit is 1 during the self-timed Page Program cycle, and is 0 when it is completed. At some unspecified time before the cycle is completed, the Write Enable Latch (WEL) bit is reset.

A Page Program (PP) command applied to a page which is protected by the Block Protect (BP4, BP3, BP2, BP1, and BP0) is not executed.

Figure16. Page Program Sequence Diagram



7.15. Quad Page Program (32H)

The Quad Page Program command is for programming the memory using four pins: IO0, IO1, IO2, and IO3. To use Quad Page Program the Quad enable in status register Bit9 must be set (QE=1). A Write Enable (WREN) command must previously have been executed to set the Write Enable Latch (WEL) bit before sending the Page Program command. The quad Page Program command is entered by driving CS# Low, followed by the command code (32H), three address bytes and at least one data byte on IO pins.

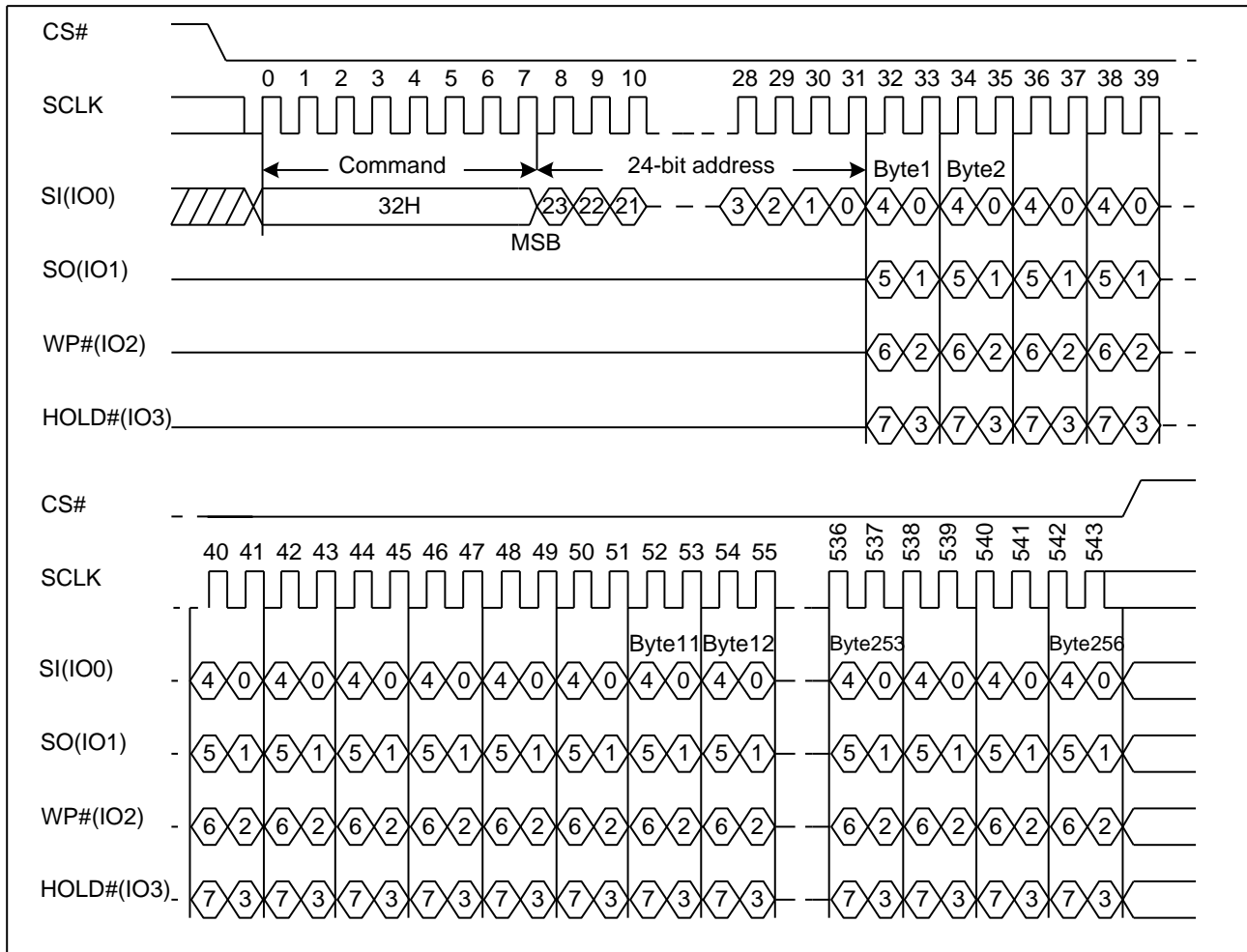
The command sequence is shown in Figure17. If more than 256 bytes are sent to the device, previously latched data are discarded and the last 256 data bytes are guaranteed to be programmed correctly within the same page. If less than 256 data bytes are sent to device, they are correctly programmed at the requested addresses without having any effects on

the other bytes of the same page. CS# must be driven high after the eighth bit of the last data byte has been latched in; otherwise the Quad Page Program (PP) command is not executed.

As soon as CS# is driven high, the self-timed Quad Page Program cycle (whose duration is t_{PP}) is initiated. While the Quad Page Program cycle is in progress, the Status Register may be read to check the value of the Write In Progress (WIP) bit. The Write in Progress (WIP) bit is 1 during the self-timed Quad Page Program cycle, and is 0 when it is completed. At some unspecified time before the cycle is completed, the Write Enable Latch (WEL) bit is reset.

A Quad Page Program command applied to a page which is protected by the Block Protect (BP4, BP3, BP2, BP1, and BP0) is not executed.

Figure17. Quad Page Program Sequence Diagram



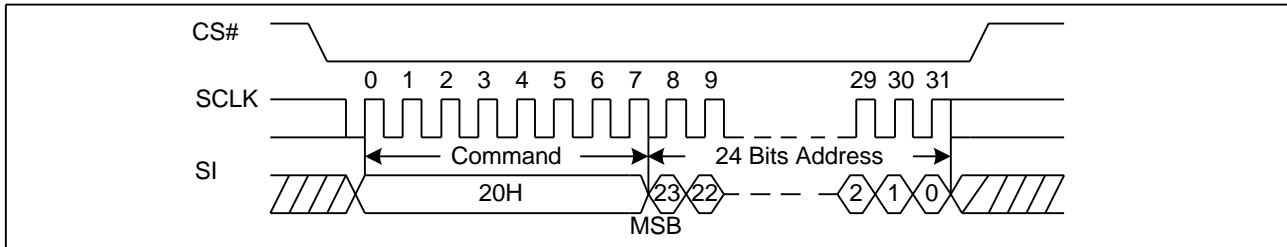
7.16. Sector Erase (SE) (20H)

The Sector Erase (SE) command is used to erase all data of the chosen sector. A Write Enable (WREN) command must previously have been executed to set the Write Enable Latch (WEL) bit. The Sector Erase (SE) command is entered by driving CS# low, followed by the command code, and 3-address bytes on SI. Any address inside the sector is a valid address for the Sector Erase (SE) command. CS# must be driven low for the entire duration of the sequence.

The Sector Erase command sequence: CS# goes low → sending Sector Erase command → 3-byte address on SI → CS# goes high. The command sequence is shown in Figure18. CS# must be driven high after the eighth bit of the last address byte has been latched in; otherwise the Sector Erase (SE) command is not executed. As soon as CS# is driven high, the self-timed Sector Erase cycle (whose duration is t_{SE}) is initiated. While the Sector Erase cycle is in progress, the

Status Register may be read to check the value of the Write in Progress (WIP) bit. The Write in Progress (WIP) bit is 1 during the self-timed Sector Erase cycle, and is 0 when it is completed. At some unspecified time before the cycle is completed, the Write Enable Latch (WEL) bit is reset. A Sector Erase (SE) command applied to a sector which is protected by the Block Protect (BP4, BP3, BP2, BP1, and BP0) bit is not executed.

Figure18. Sector Erase Sequence Diagram

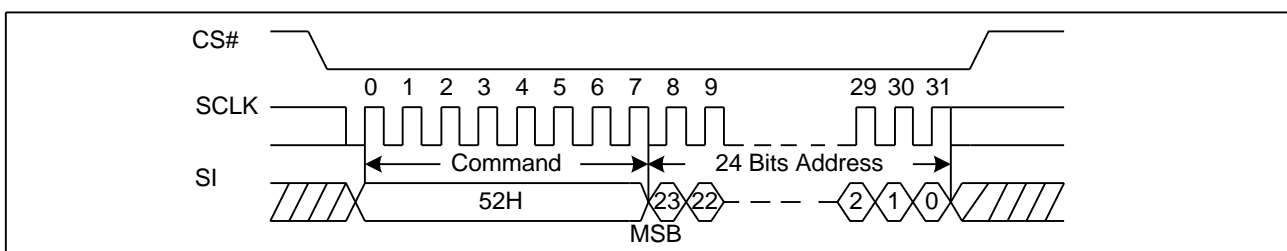


7.17. 32KB Block Erase (BE) (52H)

The 32KB Block Erase (BE) command is used to erase all data of the chosen block. A Write Enable (WREN) command must previously have been executed to set the Write Enable Latch (WEL) bit. The 32KB Block Erase (BE) command is entered by driving CS# low, followed by the command code, and three address bytes on SI. Any address inside the block is a valid address for the 32KB Block Erase (BE) command. CS# must be driven low for the entire duration of the sequence.

The 32KB Block Erase command sequence: CS# goes low → sending 32KB Block Erase command → 3-byte address on SI → CS# goes high. The command sequence is shown in Figure19. CS# must be driven high after the eighth bit of the last address byte has been latched in; otherwise the 32KB Block Erase (BE) command is not executed. As soon as CS# is driven high, the self-timed Block Erase cycle (whose duration is t_{BE}) is initiated. While the Block Erase cycle is in progress, the Status Register may be read to check the value of the Write in Progress (WIP) bit. The Write in Progress (WIP) bit is 1 during the self-timed Block Erase cycle, and is 0 when it is completed. At some unspecified time before the cycle is completed, the Write Enable Latch (WEL) bit is reset. A 32KB Block Erase (BE) command applied to a block which is protected by the Block Protect (BP4, BP3, BP2, BP1, and BP0) bits is not executed.

Figure19. 32KB Block Erase Sequence Diagram



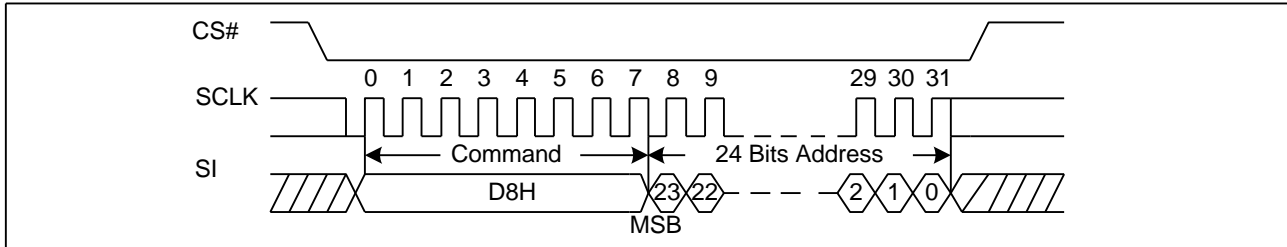
7.18. 64KB Block Erase (BE) (D8H)

The 64KB Block Erase (BE) command is used to erase all data of the chosen block. A Write Enable (WREN) command must previously have been executed to set the Write Enable Latch (WEL) bit. The 64KB Block Erase (BE) command is entered by driving CS# low, followed by the command code, and three address bytes on SI. Any address inside the block is a valid address for the 64KB Block Erase (BE) command. CS# must be driven low for the entire duration of the sequence.

The 64KB Block Erase command sequence: CS# goes low → sending 64KB Block Erase command → 3-byte address on SI → CS# goes high. The command sequence is shown in Figure20. CS# must be driven high after the eighth bit of the last address byte has been latched in; otherwise the 64KB Block Erase (BE) command is not executed. As soon as CS# is

driven high, the self-timed Block Erase cycle (whose duration is t_{BE}) is initiated. While the Block Erase cycle is in progress, the Status Register may be read to check the value of the Write in Progress (WIP) bit. The Write in Progress (WIP) bit is 1 during the self-timed Block Erase cycle, and is 0 when it is completed. At some unspecified time before the cycle is completed, the Write Enable Latch (WEL) bit is reset. A 64KB Block Erase (BE) command applied to a block which is protected by the Block Protect (BP4, BP3, BP2, BP1, and BP0) bits is not executed.

Figure20. 64KB Block Erase Sequence Diagram

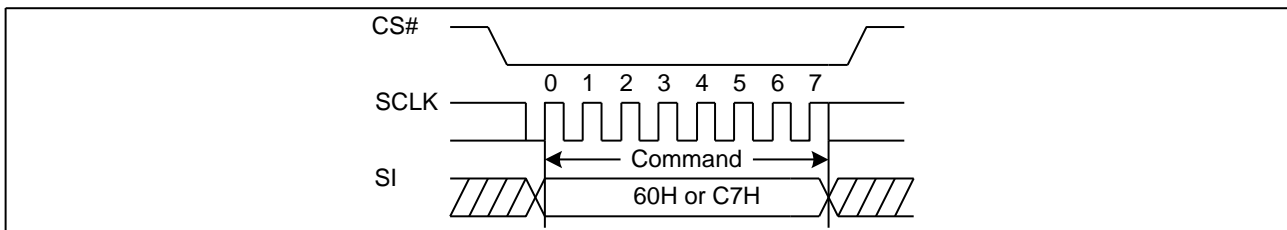


7.19. Chip Erase (CE) (60/C7H)

The Chip Erase (CE) command is used to erase all data of the chip. A Write Enable (WREN) command must previously have been executed to set the Write Enable Latch (WEL) bit. The Chip Erase (CE) command is entered by driving CS# Low, followed by the command code on Serial Data Input (SI). CS# must be driven Low for the entire duration of the sequence.

The Chip Erase command sequence: CS# goes low → sending Chip Erase command → CS# goes high. The command sequence is shown in Figure 21. CS# must be driven high after the eighth bit of the command code has been latched in; otherwise the Chip Erase command is not executed. As soon as CS# is driven high, the self-timed Chip Erase cycle (whose duration is t_{CE}) is initiated. While the Chip Erase cycle is in progress, the Status Register may be read to check the value of the Write in Progress (WIP) bit. The Write in Progress (WIP) bit is 1 during the self-timed Chip Erase cycle, and is 0 when it is completed. At some unspecified time before the cycle is completed, the Write Enable Latch (WEL) bit is reset. The Chip Erase (CE) command is executed only if all Block Protect (BP2, BP1, and BP0) bits are 0. The Chip Erase (CE) command is ignored if one or more sectors are protected.

Figure21. Chip Erase Sequence Diagram



7.20. Deep Power-Down (DP) (B9H)

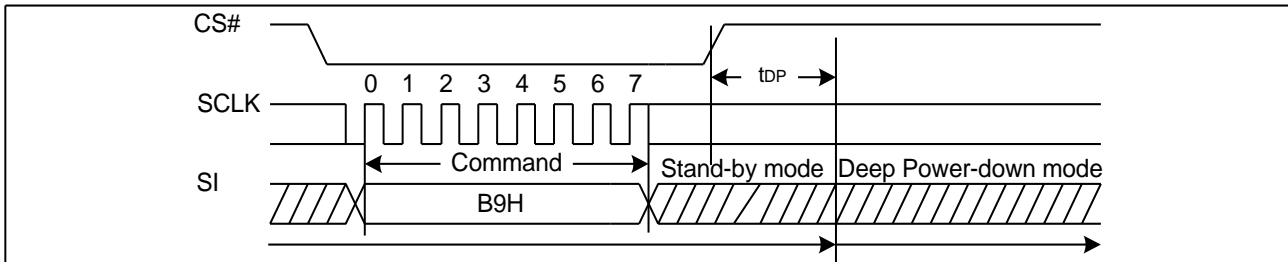
Executing the Deep Power-Down (DP) command is the only way to put the device in the lowest consumption mode (the Deep Power-Down Mode). It can also be used as an extra software protection mechanism, while the device is not in active use, since in this mode, the device ignores all Write, Program and Erase commands. Driving CS# high deselected the device, and puts the device in the Standby Mode (if there is no internal cycle currently in progress). But this mode is not the Deep Power-Down Mode. The Deep Power-Down Mode can only be entered by executing the Deep Power-Down (DP) command. Once the device has entered the Deep Power-Down Mode, all commands are ignored except the Release from Deep Power-Down and Read Device ID (RDI) command. This releases the device from this mode. The Release from Deep Power-Down and Read Device ID (RDI) command also allows the Device ID of the device to be output on SO.

The Deep Power-Down Mode automatically stops at Power-Down, and the device always Power-Up in the Standby

Mode. The Deep Power-Down (DP) command is entered by driving CS# low, followed by the command code on SI. CS# must be driven low for the entire duration of the sequence.

The Deep Power-Down command sequence: CS# goes low → sending Deep Power-Down command → CS# goes high. The command sequence is shown in Figure22. CS# must be driven high after the eighth bit of the command code has been latched in; otherwise the Deep Power-Down (DP) command is not executed. As soon as CS# is driven high, it requires a delay of t_{DP} before the supply current is reduced to I_{CC2} and the Deep Power-Down Mode is entered. Any Deep Power-Down (DP) command, while an Erase, Program or Write cycle is in progress, is rejected without having any effects on the cycle that is in progress.

Figure22. Deep Power-Down Sequence Diagram



7.21. Release from Deep Power-Down and Read Device ID (RDI) (ABH)

The Release from Power-Down and Read Device ID command is a multi-purpose command. It can be used to release the device from the Power-Down state or obtain the devices electronic identification (ID) number.

To release the device from the Power-Down state, the command is issued by driving the CS# pin low, shifting the instruction code “ABH” and driving CS# high as shown below. Release from Power-Down will take the time duration of t_{RES1} (See AC Characteristics) before the device will resume normal operation and other command are accepted. The CS# pin must remain high during the t_{RES1} time duration.

When used only to obtain the Device ID while not in the Power-Down state, the command is initiated by driving the CS# pin low and shifting the instruction code “ABH” followed by 3-dummy byte. The Device ID bits are then shifted out on the falling edge of SCLK with most significant bit (MSB) first as shown below. The Device ID value for the GD25Q256C is listed in Manufacturer and Device Identification table. The Device ID can be read continuously. The command is completed by driving CS# high.

When used to release the device from the Power-Down state and obtain the Device ID, the command is the same as previously described, except that after CS# is driven high it must remain high for a time duration of t_{RES2} (See AC Characteristics). After this time duration the device will resume normal operation and other command will be accepted. If the Release from Power-Down / Device ID command is issued while an Erase, Program or Write cycle is in process (when WIP equal 1) the command is ignored and will not have any effects on the current cycle.

Figure23. Release Power-Down Sequence Diagram

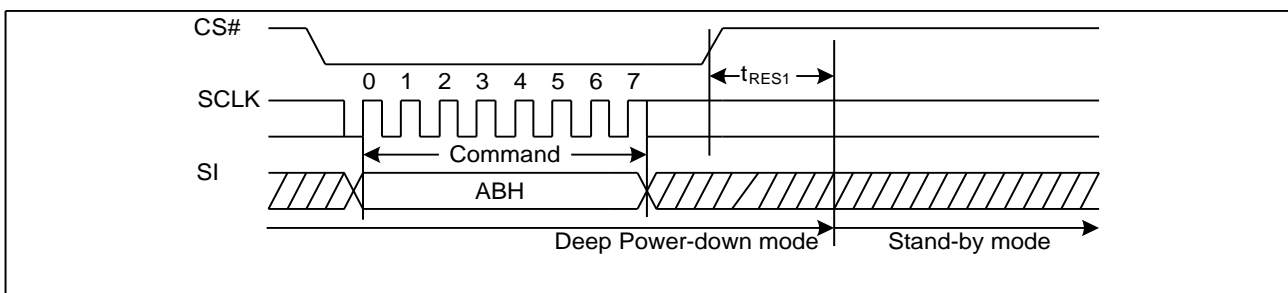
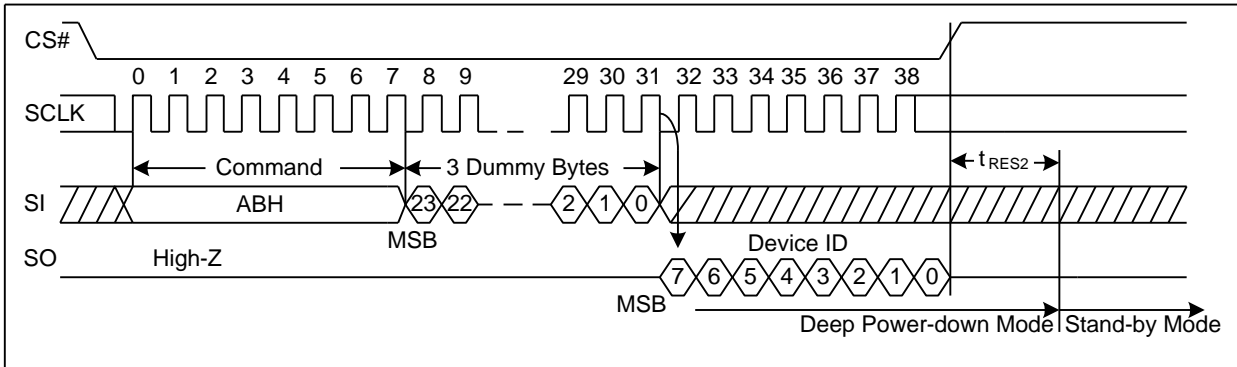


Figure24. Release Power-Down/Read Device ID Sequence Diagram

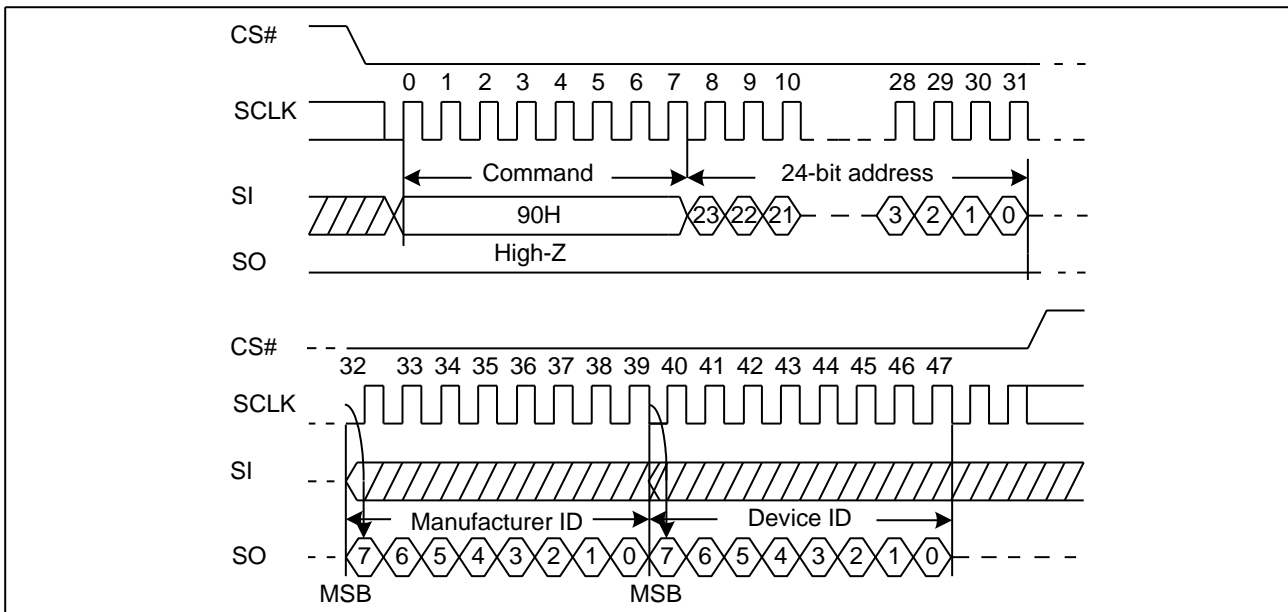


7.22. Read Manufacturer ID/ Device ID (REMS) (90H)

The Read Manufacturer/Device ID command is an alternative to the Release from Power-Down / Device ID command that provides both the JEDEC assigned Manufacturer ID and the specific Device ID.

The command is initiated by driving the CS# pin low and shifting the command code “90H” followed by a 24-bit address (A23-A0) of 000000H. After which, the Manufacturer ID and the Device ID are shifted out on the falling edge of SCLK with most significant bit (MSB) first as shown in Figure25. If the 24-bit address is initially set to 000001H, the Device ID will be read first.

Figure25. Read Manufacturer ID/ Device ID Sequence Diagram



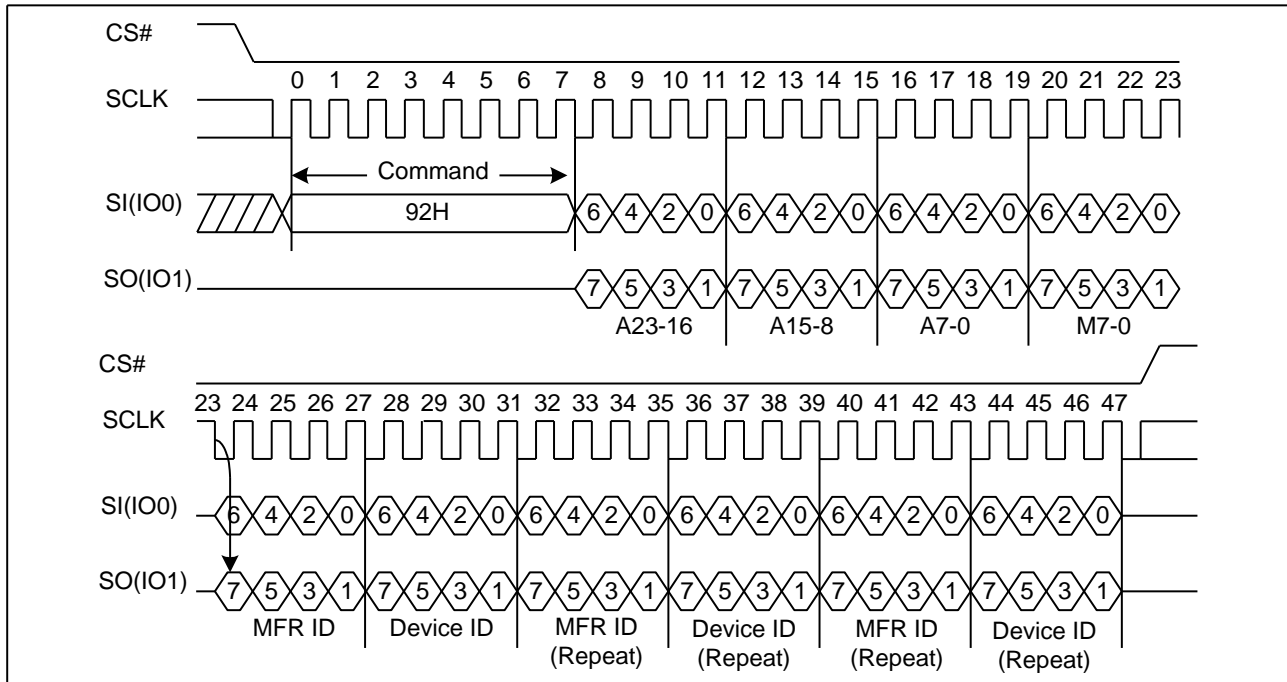
7.23. Read Manufacturer ID/ Device ID Dual I/O (92H)

The Read Manufacturer/Device ID Dual I/O command is an alternative to the Release from Power-Down / Device ID command that provides both the JEDEC assigned Manufacturer ID and the specific Device ID by dual I/O.

The command is initiated by driving the CS# pin low and shifting the command code “92H” followed by a 24-bit address (A23-A0) of 000000H. After which, the Manufacturer ID and the Device ID are shifted out on the falling edge of SCLK with most significant bit (MSB) first as shown in Figure26. If the 24-bit address is initially set to 000001H, the Device ID will be

read first.

Figure26. Read Manufacture ID/ Device ID Dual I/O Sequence Diagram

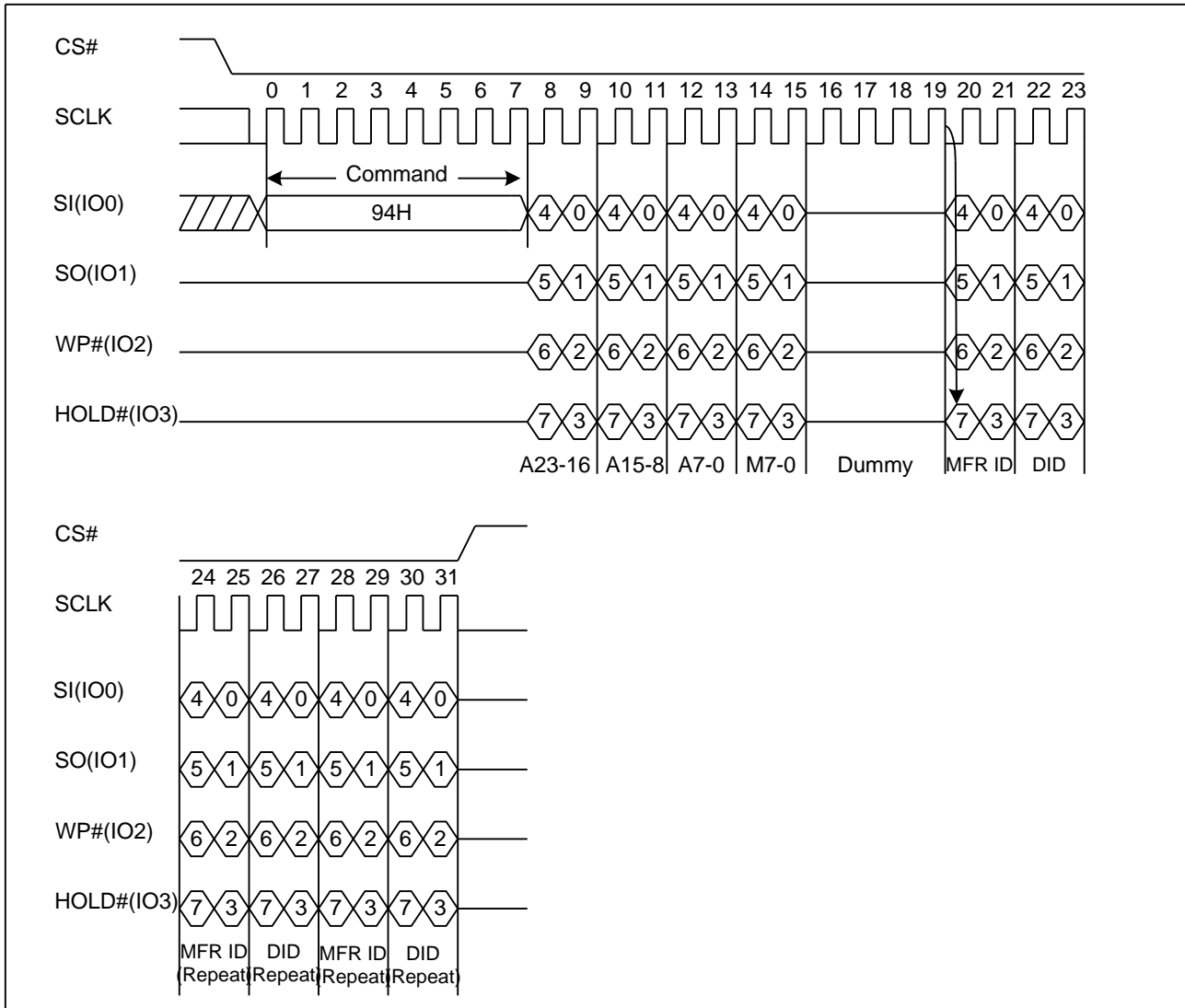


7.24. Read Manufacture ID/ Device ID Quad I/O (94H)

The Read Manufacturer/Device ID Quad I/O command is an alternative to the Release from Power-Down / Device ID command that provides both the JEDEC assigned Manufacturer ID and the specific Device ID by quad I/O.

The command is initiated by driving the CS# pin low and shifting the command code “94H” followed by a 24-bit address (A23-A0) of 000000H. After which, the Manufacturer ID and the Device ID are shifted out on the falling edge of SCLK with most significant bit (MSB) first as shown in Figure27. If the 24-bit address is initially set to 000001H, the Device ID will be read first.

Figure27. Read Manufacture ID/ Device ID Quad I/O Sequence Diagram

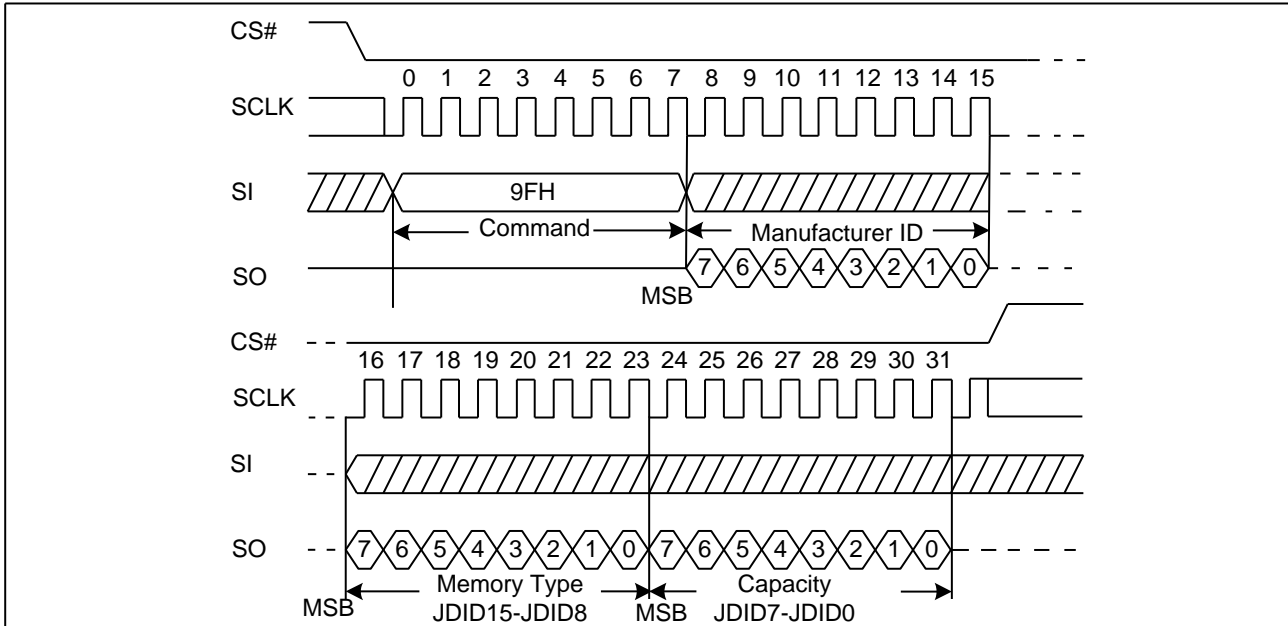


7.25. Read Identification (RDID) (9FH)

The Read Identification (RDID) command allows the 8-bit manufacturer identification to be read, followed by two bytes of device identification. The device identification indicates the memory type in the first byte, and the memory capacity of the device in the second byte. The Read Identification (RDID) command while an Erase or Program cycle is in progress is not decoded, and has no effect on the cycle that is in progress. The Read Identification (RDID) command should not be issued while the device is in Deep Power-Down Mode.

The device is first selected by driving CS# to low. Then, the 8-bit command code for the command is shifted in. This is followed by the 24-bit device identification, stored in the memory, being shifted out on Serial Data Output, each bit being shifted out during the falling edge of Serial Clock. The command sequence is shown in Figure28. The Read Identification (RDID) command is terminated by driving CS# to high at any time during data output. When CS# is driven high, the device is put in the Standby Mode. Once in the Standby Mode, the device waits to be selected, so that it can receive, decode and execute commands.

Figure28. Read Identification ID Sequence Diagram

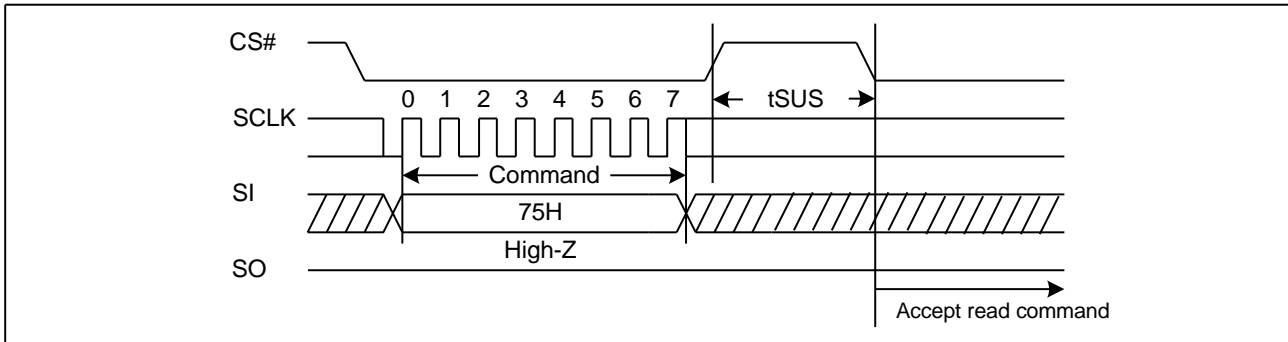


7.26. Program/Erase Suspend (PES) (75H)

The Program/Erase Suspend command “75H”, allows the system to interrupt a page program or sector/block erase operation and then read data from any other sector or block. The Write Status Register command (01H/31H/11H) and Erase/Program Security Registers command (44H, 42H) and Erase commands (20H, 52H, D8H, C7H, 60H) and Page Program command (02H / 32H) are not allowed during Program/Erase suspend. Program/Erase Suspend is valid only during the page program or sector/block erase operation. A maximum of time of “tsus” (See AC Characteristics) is required to suspend the program/erase operation.

The Program/Erase Suspend command will be accepted by the device only if the SUS2/SUS1 bit in the Status Register equal to 0 and WIP bit equal to 1 while a Page Program or a Sector or Block Erase operation is on-going. If the SUS2/SUS1 bit equal to 1 or WIP bit equal to 0, the Suspend command will be ignored by the device. The WIP bit will be cleared from 1 to 0 within “tsus” and the SUS2/SUS1 bit will be set from 0 to 1 immediately after Program/Erase Suspend. A power-off during the suspend period will reset the device and release the suspend state. The command sequence is show in Figure29.

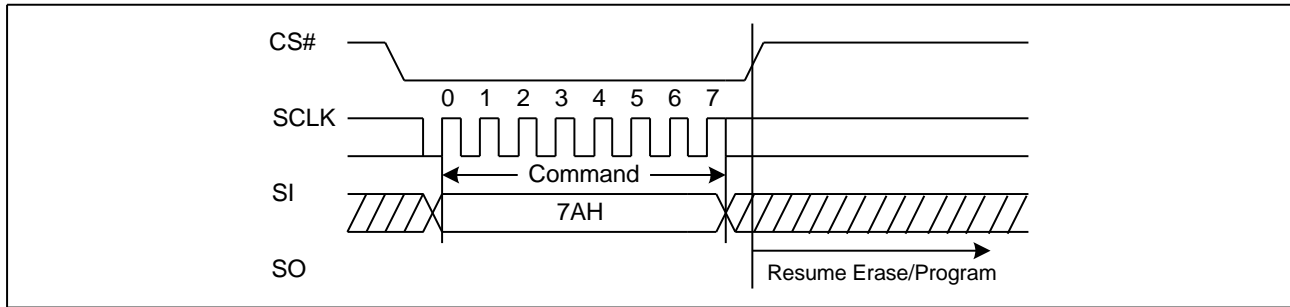
Figure29. Program/Erase Suspend Sequence Diagram



7.27. Program/Erase Resume (PER) (7AH)

The Program/Erase Resume command must be written to resume the program or sector/block erase operation after a Program/Erase Suspend command. The Program/Erase command will be accepted by the device only if the SUS2/SUS1 bit equal to 1 and the WIP bit equal to 0. After issued the SUS2/SUS1 bit in the status register will be cleared from 1 to 0 immediately, the WIP bit will be set from 0 to 1 within 200ns and the Sector or Block will complete the erase operation or the page will complete the program operation. The Program/Erase Resume command will be ignored unless a Program/Erase Suspend is active. The command sequence is show in Figure30.

Figure30. Program/Erase Resume Sequence Diagram



7.28. Erase Security Registers (44H)

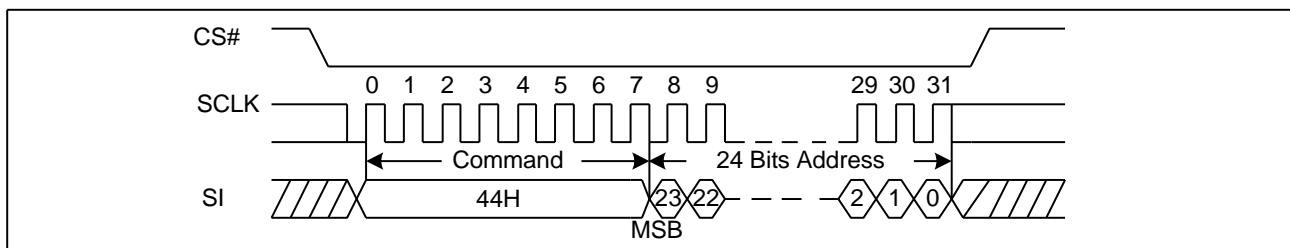
The GD25Q127C provides three 1024-byte Security Registers which can be erased and programmed individually. These registers may be used by the system manufacturers to store security and other important information separately from the main memory array.

The Erase Security Registers command is similar to Sector/Block Erase command. A Write Enable (WREN) command must previously have been executed to set the Write Enable Latch (WEL) bit.

The Erase Security Registers command sequence: CS# goes low → sending Erase Security Registers command → CS# goes high. The command sequence is shown in Figure31. CS# must be driven high after the eighth bit of the command code has been latched in; otherwise the Erase Security Registers command is not executed. As soon as CS# is driven high, the self-timed Erase Security Registers cycle (whose duration is t_{SE}) is initiated. While the Erase Security Registers cycle is in progress, the Status Register may be read to check the value of the Write in Progress (WIP) bit. The Write in Progress (WIP) bit is 1 during the self-timed Erase Security Registers cycle, and is 0 when it is completed. At some unspecified time before the cycle is completed, the Write Enable Latch (WEL) bit is reset. The Security Registers Lock Bit (LB3-1) in the Status Register can be used to OTP protect the security registers. Once the LB bit is set to 1, the Security Registers will be permanently locked; the Erase Security Registers command will be ignored.

| Address | A23-16 | A15-12 | A11-10 | A9-0 |
|----------------------|--------|---------|--------|-------------|
| Security Register #1 | 00H | 0 0 0 1 | 0 0 | Do not care |
| Security Register #2 | 00H | 0 0 1 0 | 0 0 | Do not care |
| Security Register #3 | 00H | 0 0 1 1 | 0 0 | Do not care |

Figure31. Erase Security Registers command Sequence Diagram



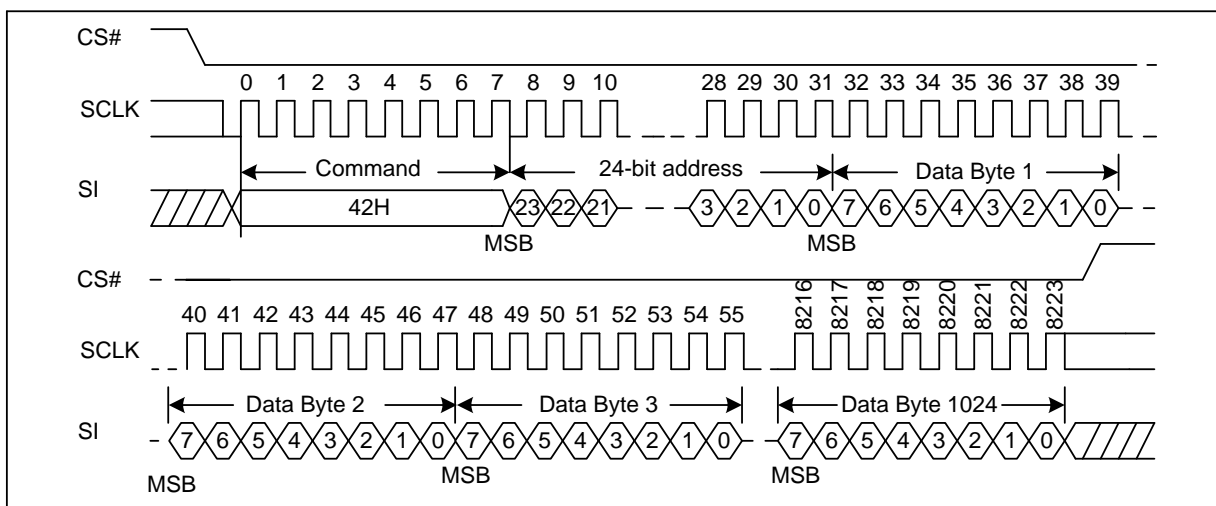
7.29. Program Security Registers (42H)

The Program Security Registers command is similar to the Page Program command. It allows from 1 to 1024 bytes Security Registers data to be programmed. A Write Enable (WREN) command must previously have been executed to set the Write Enable Latch (WEL) bit before sending the Program Security Registers command. The Program Security Registers command is entered by driving CS# Low, followed by the command code (42H), three address bytes and at least one data byte on SI. As soon as CS# is driven high, the self-timed Program Security Registers cycle (whose duration is t_{PP}) is initiated. While the Program Security Registers cycle is in progress, the Status Register may be read to check the value of the Write in Progress (WIP) bit. The Write in Progress (WIP) bit is 1 during the self-timed Program Security Registers cycle, and is 0 when it is completed. At some unspecified time before the cycle is completed, the Write Enable Latch (WEL) bit is reset.

If the Security Registers Lock Bit (LB3-1) is set to 1, the Security Registers will be permanently locked. Program Security Registers command will be ignored.

| Address | A23-16 | A15-12 | A11-10 | A9-0 |
|----------------------|--------|---------|--------|--------------|
| Security Register #1 | 00H | 0 0 0 1 | 0 0 | Byte Address |
| Security Register #2 | 00H | 0 0 1 0 | 0 0 | Byte Address |
| Security Register #3 | 00H | 0 0 1 1 | 0 0 | Byte Address |

Figure32. Program Security Registers command Sequence Diagram



7.30. Read Security Registers (48H)

The Read Security Registers command is similar to Fast Read command. The command is followed by a 3-byte address (A23-A0) and a dummy byte, each bit being latched-in during the rising edge of SCLK. Then the memory content, at that address, is shifted out on SO, each bit being shifted out, at a Max frequency f_C , during the falling edge of SCLK. The first byte addressed can be at any location. The address is automatically incremented to the next higher address after each byte of data is shifted out. Once the A9-A0 address reaches the last byte of the register (Byte 3FFH), it will reset to 000H, the command is completed by driving CS# high.

| Address | A23-16 | A15-12 | A11-10 | A9-0 |
|----------------------|--------|---------|--------|--------------|
| Security Register #1 | 00H | 0 0 0 1 | 0 0 | Byte Address |
| Security Register #2 | 00H | 0 0 1 0 | 0 0 | Byte Address |
| Security Register #3 | 00H | 0 0 1 1 | 0 0 | Byte Address |

Figure33. Read Security Registers command Sequence Diagram

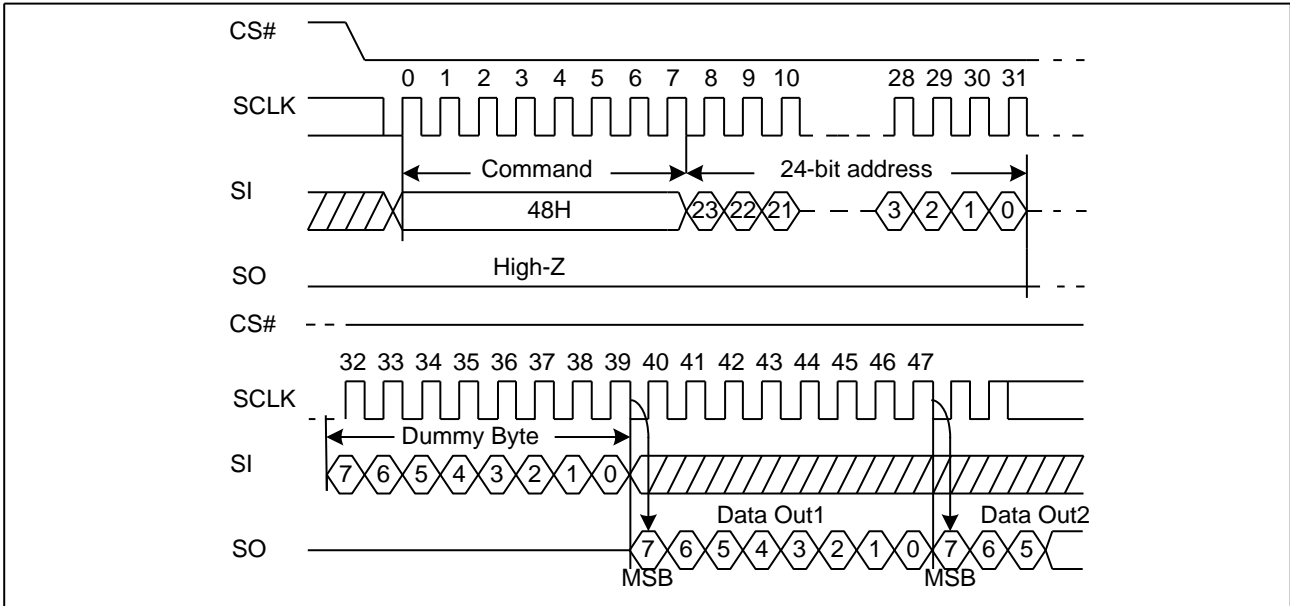
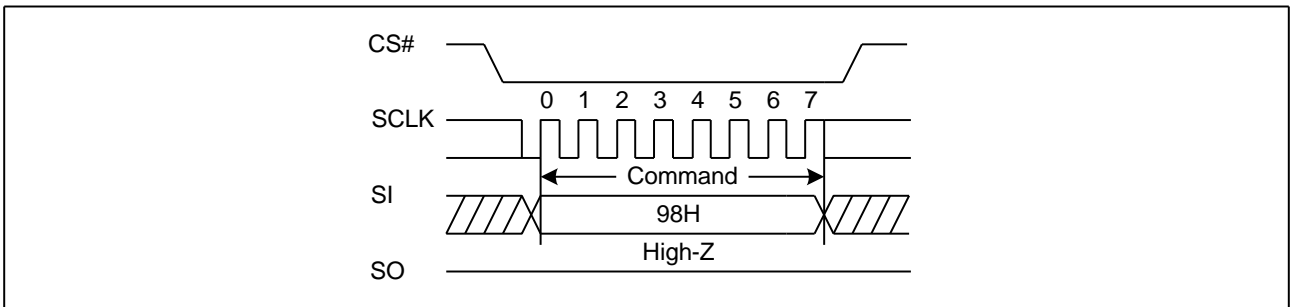


Figure38. The Global Block/Sector Unlock Sequence Diagram

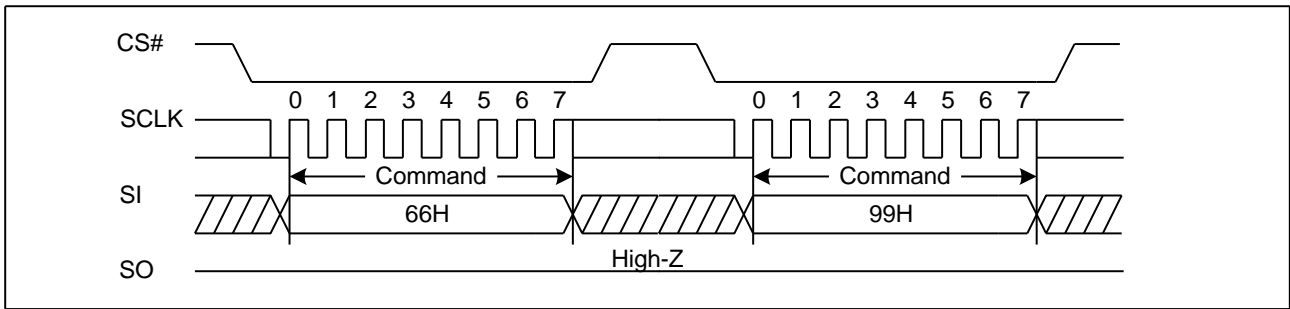


7.31. Enable Reset (66H) and Reset (99H)

If the Reset command is accepted, any on-going internal operation will be terminated and the device will return to its default power-on state and lose all the current volatile settings, such as Volatile Status Register bits, Write Enable Latch status (WEL), Program/Erase Suspend status, Read Parameter setting (P7-P0), Continuous Read Mode bit setting (M7-M0) and Wrap Bit Setting (W6-W4).

The “Enable Reset (66H)” and the “Reset (99H)” commands can be issued in either SPI mode. The “Reset (99H)” command sequence as follow: CS# goes low → Sending Enable Reset command → CS# goes high → CS# goes low → Sending Reset command → CS# goes high. Once the Reset command is accepted by the device, the device will take approximately $t_{RST} = 60\mu s$ to reset. During this period, no command will be accepted. Data corruption may happen if there is an on-going or suspended internal Erase or Program operation when Reset command sequence is accepted by the device. It is recommended to check the BUSY bit and the SUS bit in Status Register before issuing the Reset command sequence.

Figure39. Enable Reset and Reset command Sequence Diagram



7.32. Read Serial Flash Discoverable Parameter (5AH)

The Serial Flash Discoverable Parameter (SFDP) standard provides a consistent method of describing the functional and feature capabilities of serial flash devices in a standard set of internal parameter tables. These parameter tables can be interrogated by host system software to enable adjustments needed to accommodate divergent features from multiple vendors. The concept is similar to the one found in the Introduction of JEDEC Standard, JESD68 on CFI. SFDP is a standard of JEDEC Standard No.216.

Figure40. Read Serial Flash Discoverable Parameter command Sequence Diagram

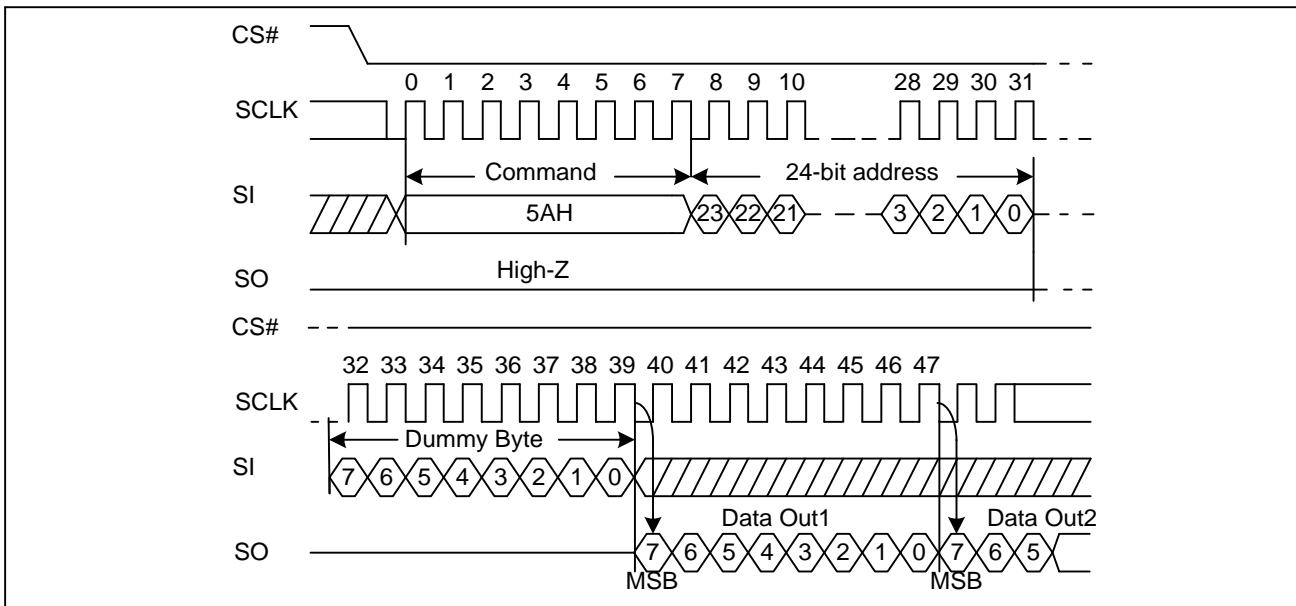


Table 7.3. Signature and Parameter Identification Data Values

| Description | Comment | Add(H) (Byte) | DW Add (Bit) | Data | Data |
|---|---|------------------|-----------------|------|------|
| SFDP Signature | Fixed:50444653H | 00H | 07:00 | 53H | 53H |
| | | 01H | 15:08 | 46H | 46H |
| | | 02H | 23:16 | 44H | 44H |
| | | 03H | 31:24 | 50H | 50H |
| SFDP Minor Revision Number | Start from 00H | 04H | 07:00 | 00H | 00H |
| SFDP Major Revision Number | Start from 01H | 05H | 15:08 | 01H | 01H |
| Number of Parameters Headers | Start from 00H | 06H | 23:16 | 01H | 01H |
| Unused | Contains 0xFFH and can never be changed | 07H | 31:24 | FFH | FFH |
| ID number (JEDEC) | 00H: It indicates a JEDEC specified header | 08H | 07:00 | 00H | 00H |
| Parameter Table Minor Revision Number | Start from 0x00H | 09H | 15:08 | 00H | 00H |
| Parameter Table Major Revision Number | Start from 0x01H | 0AH | 23:16 | 01H | 01H |
| Parameter Table Length (in double word) | How many DWORDs in the Parameter table | 0BH | 31:24 | 09H | 09H |
| Parameter Table Pointer (PTP) | First address of JEDEC Flash Parameter table | 0CH | 07:00 | 30H | 30H |
| | | 0DH | 15:08 | 00H | 00H |
| | | 0EH | 23:16 | 00H | 00H |
| Unused | Contains 0xFFH and can never be changed | 0FH | 31:24 | FFH | FFH |
| ID Number (GigaDevice Manufacturer ID) | It is indicates GigaDevice manufacturer ID | 10H | 07:00 | C8H | C8H |
| Parameter Table Minor Revision Number | Start from 0x00H | 11H | 15:08 | 00H | 00H |
| Parameter Table Major Revision Number | Start from 0x01H | 12H | 23:16 | 01H | 01H |
| Parameter Table Length (in double word) | How many DWORDs in the Parameter table | 13H | 31:24 | 03H | 03H |
| Parameter Table Pointer (PTP) | First address of GigaDevice Flash Parameter table | 14H | 07:00 | 60H | 60H |
| | | 15H | 15:08 | 00H | 00H |
| | | 16H | 23:16 | 00H | 00H |
| Unused | Contains 0xFFH and can never be changed | 17H | 31:24 | FFH | FFH |



3.3V Uniform Sector Dual and Quad Serial Flash

GD25Q127C

Table 7.4. Parameter Table (0): JEDEC Flash Parameter Tables

| Description | Comment | Add(H) (Byte) | DW Add (Bit) | Data | Data |
|---|---|------------------|-----------------|-----------|------|
| Block/Sector Erase Size | 00: Reserved; 01: 4KB erase; 10: Reserved; 11: not support 4KB erase | 30H | 01:00 | 01b | E5H |
| Write Granularity | 0: 1Byte, 1: 64Byte or larger | | 02 | 1b | |
| Write Enable Instruction Requested for Writing to Volatile Status Registers | 0: Nonvolatile status bit 1: Volatile status bit (BP status register bit) | | 03 | 0b | |
| Write Enable Opcode Select for Writing to Volatile Status Registers | 0: Use 50H Opcode, 1: Use 06H Opcode, Note: If target flash status register is Nonvolatile, then bits 3 and 4 must be set to 00b. | | 04 | 0b | |
| Unused | Contains 111b and can never be changed | | 07:05 | 111b | |
| 4KB Erase Opcode | | 31H | 15:08 | 20H | 20H |
| (1-1-2) Fast Read | 0=Not support, 1=Support | 32H | 16 | 1b | F1H |
| Address Bytes Number used in addressing flash array | 00: 3Byte only, 01: 3 or 4Byte, 10: 4Byte only, 11: Reserved | | 18:17 | 00b | |
| Double Transfer Rate (DTR) clocking | 0=Not support, 1=Support | | 19 | 0b | |
| (1-2-2) Fast Read | 0=Not support, 1=Support | | 20 | 1b | |
| (1-4-4) Fast Read | 0=Not support, 1=Support | | 21 | 1b | |
| (1-1-4) Fast Read | 0=Not support, 1=Support | | 22 | 1b | |
| Unused | | | 23 | 1b | |
| Unused | | 33H | 31:24 | FFH | FFH |
| Flash Memory Density | | 37H:34H | 31:00 | 07FFFFFFH | |
| (1-4-4) Fast Read Number of Wait states | 0 0000b: Wait states (Dummy Clocks) not support | 38H | 04:00 | 00100b | 44H |
| (1-4-4) Fast Read Number of Mode Bits | 000b:Mode Bits not support | | 07:05 | 010b | |
| (1-4-4) Fast Read Opcode | | 39H | 15:08 | EBH | EBH |
| (1-1-4) Fast Read Number of Wait states | 0 0000b: Wait states (Dummy Clocks) not support | 3AH | 20:16 | 01000b | 08H |
| (1-1-4) Fast Read Number of Mode Bits | 000b:Mode Bits not support | | 23:21 | 000b | |
| (1-1-4) Fast Read Opcode | | 3BH | 31:24 | 6BH | 6BH |



3.3V Uniform Sector Dual and Quad Serial Flash

GD25Q127C

| Description | Comment | Add(H) (Byte) | DW Add (Bit) | Data | Data |
|---|--|------------------|-----------------|--------|-------|
| (1-1-2) Fast Read Number of Wait states | 0 0000b: Wait states (Dummy Clocks) not support | 3CH | 04:00 | 01000b | 08H |
| (1-1-2) Fast Read Number of Mode Bits | 000b: Mode Bits not support | | 07:05 | 000b | |
| (1-1-2) Fast Read Opcode | | 3DH | 15:08 | 3BH | 3BH |
| (1-2-2) Fast Read Number of Wait states | 0 0000b: Wait states (Dummy Clocks) not support | 3EH | 20:16 | 00010b | 42H |
| (1-2-2) Fast Read Number of Mode Bits | 000b: Mode Bits not support | | 23:21 | 010b | |
| (1-2-2) Fast Read Opcode | | 3FH | 31:24 | BBH | BBH |
| (2-2-2) Fast Read | 0=not support 1=support | 40H | 00 | 0b | EEH |
| Unused | | | 03:01 | 111b | |
| (4-4-4) Fast Read | 0=not support 1=support | | 04 | 0b | |
| Unused | | | 07:05 | 111b | |
| Unused | | 43H:41H | 31:08 | 0xFFH | 0xFFH |
| Unused | | 45H:44H | 15:00 | 0xFFH | 0xFFH |
| (2-2-2) Fast Read Number of Wait states | 0 0000b: Wait states (Dummy Clocks) not support | 46H | 20:16 | 00000b | 00H |
| (2-2-2) Fast Read Number of Mode Bits | 000b: Mode Bits not support | | 23:21 | 000b | |
| (2-2-2) Fast Read Opcode | | 47H | 31:24 | FFH | FFH |
| Unused | | 49H:48H | 15:00 | 0xFFH | 0xFFH |
| (4-4-4) Fast Read Number of Wait states | 0 0000b: Wait states (Dummy Clocks) not support | 4AH | 20:16 | 00000b | 00H |
| (4-4-4) Fast Read Number of Mode Bits | 000b: Mode Bits not support | | 23:21 | 000b | |
| (4-4-4) Fast Read Opcode | | 4BH | 31:24 | EBH | EBH |
| Sector Type 1 Size | Sector/block size=2^N bytes 0x00b: this sector type don't exist | 4CH | 07:00 | 0CH | 0CH |
| Sector Type 1 erase Opcode | | 4DH | 15:08 | 20H | 20H |
| Sector Type 2 Size | Sector/block size=2^N bytes 0x00b: this sector type don't exist | 4EH | 23:16 | 0FH | 0FH |
| Sector Type 2 erase Opcode | | 4FH | 31:24 | 52H | 52H |
| Sector Type 3 Size | Sector/block size=2^N bytes 0x00b: this sector type don't exist | 50H | 07:00 | 10H | 10H |
| Sector Type 3 erase Opcode | | 51H | 15:08 | D8H | D8H |
| Sector Type 4 Size | Sector/block size=2^N bytes 0x00b: this sector type don't exist | 52H | 23:16 | 00H | 00H |
| Sector Type 4 erase Opcode | | 53H | 31:24 | FFH | FFH |

Table 7.5. Parameter Table (1): GigaDevice Flash Parameter Tables

| Description | Comment | Add(H) (Byte) | DW Add (Bit) | Data | Data |
|--|---|------------------|-----------------|---------------------|-----------------------|
| Vcc Supply Maximum Voltage | 2000H=2.000V 2700H=2.700V 3600H=3.600V | 61H:60H | 15:00 | 3600H | 3600H |
| Vcc Supply Minimum Voltage | 1650H=1.650V 2250H=2.250V 2350H=2.350V 2700H=2.700V | 63H:62H | 31:16 | 2700H | 2700H |
| HW Reset# pin | 0=not support 1=support | 65H:64H | 00 | 1b | F99FH |
| HW Hold# pin | 0=not support 1=support | | 01 | 1b | |
| Deep Power Down Mode | 0=not support 1=support | | 02 | 1b | |
| SW Reset | 0=not support 1=support | | 03 | 1b | |
| SW Reset Opcode | Should be issue Reset Enable(66H) before Reset cmd. | | 11:04 | 1001 1001b (99H) | |
| Program Suspend/Resume | 0=not support 1=support | | 12 | 1b | |
| Erase Suspend/Resume | 0=not support 1=support | | 13 | 1b | |
| Unused | | | 14 | 1b | |
| Wrap-Around Read mode | 0=not support 1=support | | 15 | 1b | |
| Wrap-Around Read mode Opcode | | 66H | 23:16 | 77H | 77H |
| Wrap-Around Read data length | 08H:support 8B wrap-around read 16H:8B&16B 32H:8B&16B&32B 64H:8B&16B&32B&64B | 67H | 31:24 | 64H | 64H |
| Individual block lock | 0=not support 1=support | 6BH:68H | 00 | 0b | CBFC/ EBFCH (1) |
| Individual block lock bit (Volatile/Nonvolatile) | 0=Volatile 1=Nonvolatile | | 01 | 0b | |
| Individual block lock Opcode | | | 09:02 | FFH | |
| Individual block lock Volatile protect bit default protect status | 0=protect 1=unprotect | | 10 | 0b | |
| Secured OTP | 0=not support 1=support | | 11 | 1b | |
| Read Lock | 0=not support 1=support | | 12 | 0b | |
| Permanent Lock | 0=not support 1=support | | 13 | 0b/1b(1) | |
| Unused | | | 15:14 | 11b | |
| Unused | | | 31:16 | FFFFH | |

NOTE:

(1) GD25Q127CxxSx support Permanent Lock. Please contact GigaDevice for details.

8. ELECTRICAL CHARACTERISTICS

8.1. POWER-ON TIMING

Figure 41. Power-on Timing Sequence Diagram

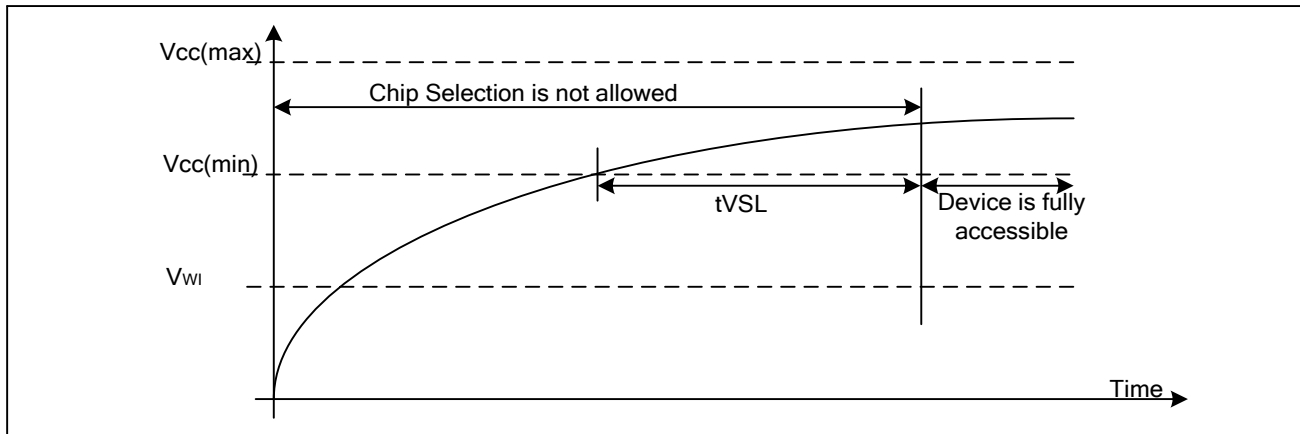


Table 8.1. Power-Up Timing and Write Inhibit Threshold

| Symbol | Parameter | Min | Max | Unit |
|--------|-----------------------|-----|-----|------|
| tVSL | VCC(min) To CS# Low | 5 | | ms |
| VWI | Write Inhibit Voltage | 1.5 | 2.5 | V |

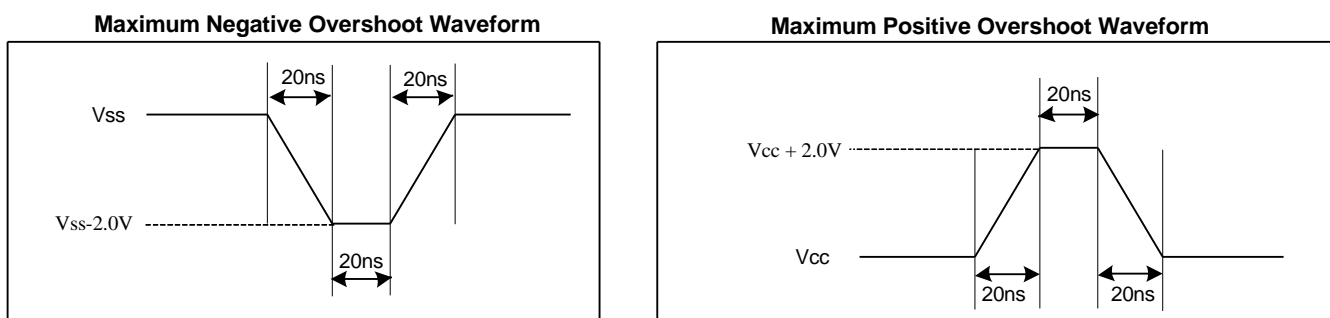
8.2. INITIAL DELIVERY STATE

The device is delivered with the memory array erased: all bits are set to 1 (each byte contains FFH). The Status Register bits are set to 0, except DRV1 bit (S22) is set to 1.

8.3. ABSOLUTE MAXIMUM RATINGS

| Parameter | Value | Unit |
|--|-----------------|------|
| Ambient Operating Temperature | -40 to 85 | °C |
| Storage Temperature | -65 to 150 | °C |
| Applied Input/Output Voltage | -0.6 to VCC+0.4 | V |
| Transient Input/Output Voltage(note : overshoot) | -2.0 to VCC+2.0 | V |
| VCC | -0.6 to 4.0 | V |

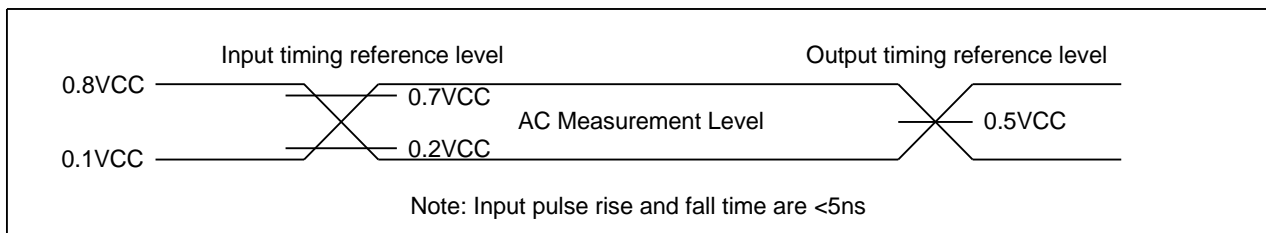
Figure 42. Maximum Negative/positive Overshoot Diagram



8.4. CAPACITANCE MEASUREMENT CONDITIONS

| Symbol | Parameter | Min | Typ | Max | Unit | Conditions |
|--------|---------------------------------|------------------|-----|-----|------|------------|
| CIN | Input Capacitance | | | 6 | pF | VIN=0V |
| COUT | Output Capacitance | | | 8 | pF | VOUT=0V |
| CL | Load Capacitance | 30 | | | pF | |
| | Input Rise And Fall time | | | 5 | ns | |
| | Input Pulse Voltage | 0.1VCC to 0.8VCC | | | V | |
| | Input Timing Reference Voltage | 0.2VCC to 0.7VCC | | | V | |
| | Output Timing Reference Voltage | 0.5VCC | | | V | |

Figure43. Input Test Waveform and Measurement Level





8.5. DC CHARACTERISTICS

(T= -40°C~85°C, VCC=2.7~3.6V, Normal Mode)

| Symbol | Parameter | Test Condition | Min. | Typ | Max. | Unit. |
|------------------|--------------------------|---|---------|-----|---------|-------|
| I _{LI} | Input Leakage Current | | | | ±2 | μA |
| I _{LO} | Output Leakage Current | | | | ±2 | μA |
| I _{CC1} | Standby Current | CS#=VCC, V _{IN} =VCC or VSS | | 20 | 50 | μA |
| I _{CC2} | Deep Power-Down Current | CS#=VCC, V _{IN} =VCC or VSS | | 1 | 5 | μA |
| I _{CC3} | Operating Current (Read) | CLK=0.1VCC / 0.9VCC at 104MHz, Q=Open(*1 I/O) | | 15 | 20 | mA |
| | | CLK=0.1VCC / 0.9VCC at 80MHz, Q=Open(*1, *2, *4 I/O) | | 13 | 18 | mA |
| I _{CC4} | Operating Current (PP) | CS#=VCC | | | 25 | mA |
| I _{CC5} | Operating Current(WRSR) | CS#=VCC | | | 25 | mA |
| I _{CC6} | Operating Current (SE) | CS#=VCC | | | 25 | mA |
| I _{CC7} | Operating Current (BE) | CS#=VCC | | | 25 | mA |
| V _{IL} | Input Low Voltage | | | | 0.2VCC | V |
| V _{IH} | Input High Voltage | | 0.7VCC | | VCC+0.4 | V |
| V _{OL} | Output Low Voltage | I _{OL} =100uA | | | 0.2 | V |
| V _{OH} | Output High Voltage | I _{OH} =-100μA | VCC-0.2 | | | V |

(T= -40°C~85°C, VCC=2.7~3.6V, Low Power Mode)

| Symbol | Parameter | Test Condition | Min. | Typ | Max. | Unit. |
|------------------|--------------------------|---|------|-----|------|-------|
| I _{LI} | Input Leakage Current | | | | ±2 | μA |
| I _{LO} | Output Leakage Current | | | | ±2 | μA |
| I _{CC1} | Standby Current | CS#=VCC, V _{IN} =VCC or VSS | | 20 | 50 | μA |
| I _{CC2} | Deep Power-Down Current | CS#=VCC, V _{IN} =VCC or VSS | | 0.1 | 1 | μA |
| I _{CC3} | Operating Current (Read) | CLK=0.1VCC / 0.9VCC at 104MHz, Q=Open(*1 I/O) | | 13 | 18 | mA |
| | | CLK=0.1VCC / 0.9VCC at 80MHz, Q=Open(*1, *2, *4 I/O) | | 10 | 15 | mA |



3.3V Uniform Sector Dual and Quad Serial Flash

GD25Q127C

| | | | | | | |
|------------------|-------------------------|-------------------------|---------|--|---------|----|
| I _{CC4} | Operating Current (PP) | CS#=VCC | | | 15 | mA |
| I _{CC5} | Operating Current(WRSR) | CS#=VCC | | | 15 | mA |
| I _{CC6} | Operating Current (SE) | CS#=VCC | | | 15 | mA |
| I _{CC7} | Operating Current (BE) | CS#=VCC | | | 15 | mA |
| V _{IL} | Input Low Voltage | | | | 0.2VCC | V |
| V _{IH} | Input High Voltage | | 0.7VCC | | VCC+0.4 | V |
| V _{OL} | Output Low Voltage | I _{OL} =100uA | | | 0.2 | V |
| V _{OH} | Output High Voltage | I _{OH} =-100μA | VCC-0.2 | | | V |



8.6. AC CHARACTERISTICS

(T= -40°C~85°C, VCC=2.7~3.6V, CL=30pf, Normal Mode)

| Symbol | Parameter | Min. | Typ. | Max. | Unit. |
|--------------------|---|------|------|------|-------|
| F _C | Serial Clock Frequency For: Fast Read(0BH), on 2.7V-3.6V power supply | DC. | | 104 | MHz |
| f _{C1} | Serial Clock Frequency For: Dual Output(3BH), Quad Output(6BH), Dual I/O(BBH), Quad I/O(EBH), Quad I/O Word Fast Read (E7h), on 2.7V-3.0V power supply | DC. | | 80 | MHz |
| f _{C2} | Serial Clock Frequency For: Dual Output (3BH), Quad Output(6BH), Dual I/O(BBH), Quad I/O(EBH), Quad I/O Word Fast Read (E7h), on 3.0V-3.6V power supply | DC. | | 104 | MHz |
| f _R | Serial Clock Frequency For: Read(03H), Read Manufacturer ID/device ID(90H), Read Identification(9FH) | DC. | | 80 | MHz |
| t _{CLH} | Serial Clock High Time | 4.5 | | | ns |
| t _{CLL} | Serial Clock Low Time | 4.5 | | | ns |
| t _{CLCH} | Serial Clock Rise Time (Slew Rate) | 0.1 | | | V/ns |
| t _{CHCL} | Serial Clock Fall Time (Slew Rate) | 0.1 | | | V/ns |
| t _{SLCH} | CS# Active Setup Time | 5 | | | ns |
| t _{CHSH} | CS# Active Hold Time | 5 | | | ns |
| t _{SHCH} | CS# Not Active Setup Time | 5 | | | ns |
| t _{CHSL} | CS# Not Active Hold Time | 5 | | | ns |
| t _{SHSL} | CS# High Time (read/write) | 20 | | | ns |
| t _{SHQZ} | Output Disable Time | | | 6 | ns |
| t _{CLQX} | Output Hold Time | 1.0 | | | ns |
| t _{DVCH} | Data In Setup Time | 2 | | | ns |
| t _{CHDX} | Data In Hold Time | 2 | | | ns |
| t _{HLCH} | HOLD# Low Setup Time (relative to Clock) | 5 | | | ns |
| t _{HHCH} | HOLD# High Setup Time (relative to Clock) | 5 | | | ns |
| t _{CHHL} | HOLD# High Hold Time (relative to Clock) | 5 | | | ns |
| t _{CHHH} | HOLD# Low Hold Time (relative to Clock) | 5 | | | ns |
| t _{HLQZ} | HOLD# Low To High-Z Output | | | 6 | ns |
| t _{HHQX} | HOLD# Low To Low-Z Output | | | 6 | ns |
| t _{CLQV} | Clock Low To Output Valid | | | 6.5 | ns |
| t _{WHSL} | Write Protect Setup Time Before CS# Low | 20 | | | ns |
| t _{SHWL} | Write Protect Hold Time After CS# High | 100 | | | ns |
| t _{DP} | CS# High To Deep Power-Down Mode | | | 20 | μs |
| t _{RES1} | CS# High To Standby Mode Without Electronic Signature Read | | | 30 | μs |
| t _{RES2} | CS# High To Standby Mode With Electronic Signature Read | | | 30 | μs |
| t _{SUS} | CS# High To Next Command After Suspend | | | 20 | us |
| t _{RST_R} | CS# High To Next Command After Reset (from read) | | | 20 | us |
| t _{RST_P} | CS# High To Next Command After Reset (from program) | | | 20 | us |



3.3V Uniform Sector Dual and Quad Serial Flash

GD25Q127C

| | | | | | |
|------------------|---|--|-----|-----|----|
| trst_E | CS# High To Next Command After Reset (from erase) | | | 12 | ms |
| t _w | Write Status Register Cycle Time | | 5 | 30 | ms |
| t _{BP1} | Byte Program Time(First Byte) | | 30 | 50 | us |
| t _{BP2} | Additional Byte Program Time (After First Byte) | | 2.5 | 12 | us |
| t _{PP} | Page Programming Time | | 0.6 | 2.4 | ms |
| t _{SE} | Sector Erase Time | | 50 | 400 | ms |
| t _{BE} | Block Erase Time(32K Bytes) | | 0.2 | 1.0 | s |
| t _{BE} | Block Erase Time(64K Bytes) | | 0.3 | 1.2 | s |
| t _{CE} | Chip Erase Time(GD25Q127C) | | 60 | 120 | s |

(T= -40°C~85°C, VCC=2.7~3.6V, C_L=30pf, Low Power Mode)

| Symbol | Parameter | Min. | Typ. | Max. | Unit. |
|-------------------|---|------|------|------|-------|
| F _C | Serial Clock Frequency For: Fast Read(0BH), on 2.7V-3.6V power supply | DC. | | 104 | MHz |
| f _{C1} | Serial Clock Frequency For: Dual Output(3BH), Quad Output(6BH), Dual I/O(BBH), Quad I/O(EBH), Quad I/O Word Fast Read (E7h), on 2.7V-3.0V power supply | DC. | | 80 | MHz |
| f _{C2} | Serial Clock Frequency For: Dual Output (3BH), Quad Output(6BH), Dual I/O(BBH), Quad I/O(EBH), Quad I/O Word Fast Read (E7h), on 3.0V-3.6V power supply | DC. | | 104 | MHz |
| f _R | Serial Clock Frequency For: Read(03H), Read Manufacturer ID/device ID(90H), Read Identification(9FH) | DC. | | 80 | MHz |
| t _{CLH} | Serial Clock High Time | 4.5 | | | ns |
| t _{CLL} | Serial Clock Low Time | 4.5 | | | ns |
| t _{CLCH} | Serial Clock Rise Time (Slew Rate) | 0.1 | | | V/ns |
| t _{CHCL} | Serial Clock Fall Time (Slew Rate) | 0.1 | | | V/ns |
| t _{SLCH} | CS# Active Setup Time | 5 | | | ns |
| t _{CHSH} | CS# Active Hold Time | 5 | | | ns |
| t _{SHCH} | CS# Not Active Setup Time | 5 | | | ns |
| t _{CHSL} | CS# Not Active Hold Time | 5 | | | ns |
| t _{SHSL} | CS# High Time (read/write) | 20 | | | ns |
| t _{SHQZ} | Output Disable Time | | | 6 | ns |
| t _{CLQX} | Output Hold Time | 1.0 | | | ns |
| t _{DVCH} | Data In Setup Time | 2 | | | ns |
| t _{CHDX} | Data In Hold Time | 2 | | | ns |
| t _{HLCH} | HOLD# Low Setup Time (relative to Clock) | 5 | | | ns |
| t _{HHCH} | HOLD# High Setup Time (relative to Clock) | 5 | | | ns |
| t _{CHHL} | HOLD# High Hold Time (relative to Clock) | 5 | | | ns |
| t _{CHHH} | HOLD# Low Hold Time (relative to Clock) | 5 | | | ns |
| t _{HLQZ} | HOLD# Low To High-Z Output | | | 6 | ns |
| t _{HHQX} | HOLD# Low To Low-Z Output | | | 6 | ns |
| t _{CLQV} | Clock Low To Output Valid | | | 6.5 | ns |

| | | | | | |
|--------------------|--|-----|-----|-----|----|
| t _{WHSL} | Write Protect Setup Time Before CS# Low | 20 | | | ns |
| t _{SHWL} | Write Protect Hold Time After CS# High | 100 | | | ns |
| t _{DP} | CS# High To Deep Power-Down Mode | | | 50 | μs |
| t _{RES1} | CS# High To Standby Mode Without Electronic Signature Read | | | 50 | μs |
| t _{RES2} | CS# High To Standby Mode With Electronic Signature Read | | | 50 | μs |
| t _{SUS} | CS# High To Next Command After Suspend | | | 50 | us |
| t _{RST_R} | CS# High To Next Command After Reset (from read) | | | 50 | us |
| t _{RST_P} | CS# High To Next Command After Reset (from program) | | | 50 | us |
| t _{RST_E} | CS# High To Next Command After Reset (from erase) | | | 30 | ms |
| t _W | Write Status Register Cycle Time | | 15 | 80 | ms |
| t _{BP1} | Byte Program Time(First Byte) | | 60 | 150 | us |
| t _{BP2} | Additional Byte Program Time (After First Byte) | | 8 | 40 | us |
| t _{PP} | Page Programming Time | | 1.6 | 5 | ms |
| t _{SE} | Sector Erase Time | | 100 | 600 | ms |
| t _{BE} | Block Erase Time(32K Bytes) | | 0.3 | 1.4 | s |
| t _{BE} | Block Erase Time(64K Bytes) | | 0.5 | 2.6 | s |
| t _{CE} | Chip Erase Time(GD25Q127C) | | 150 | 300 | s |

Figure44. Serial Input Timing

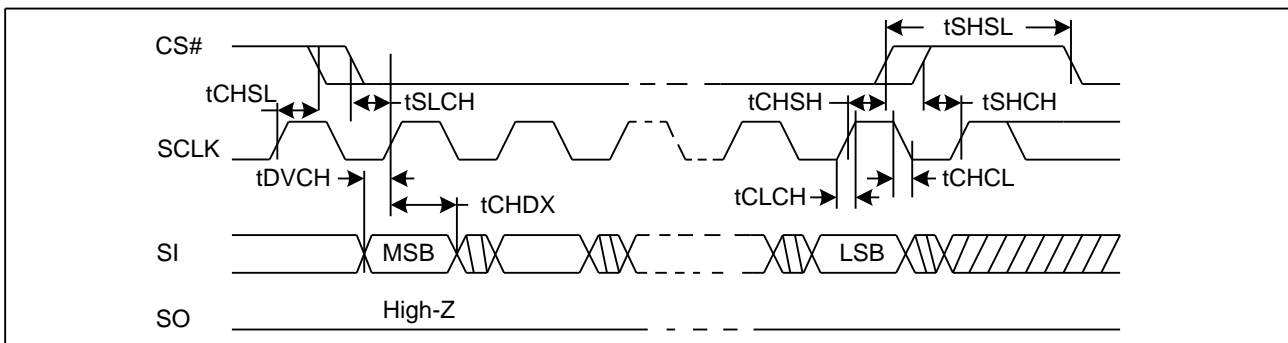


Figure45. Output Timing

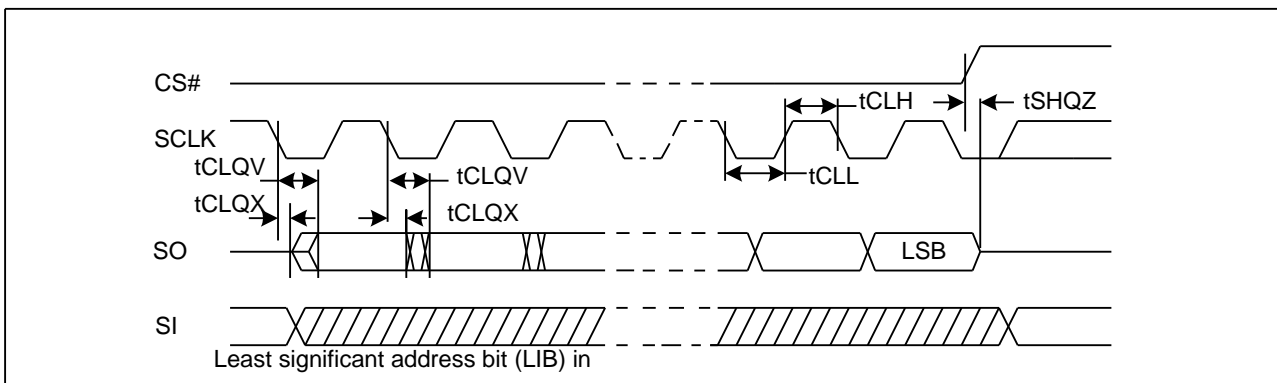


Figure46. Hold Timing

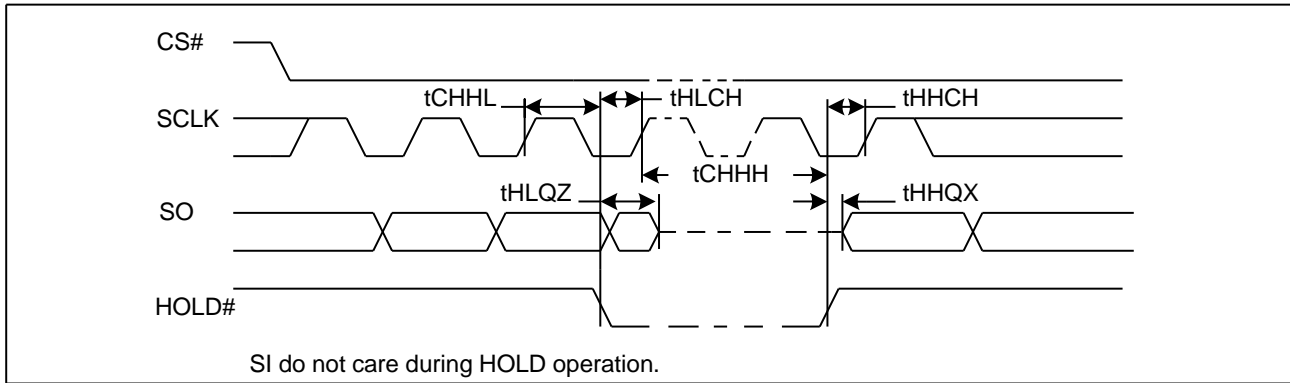
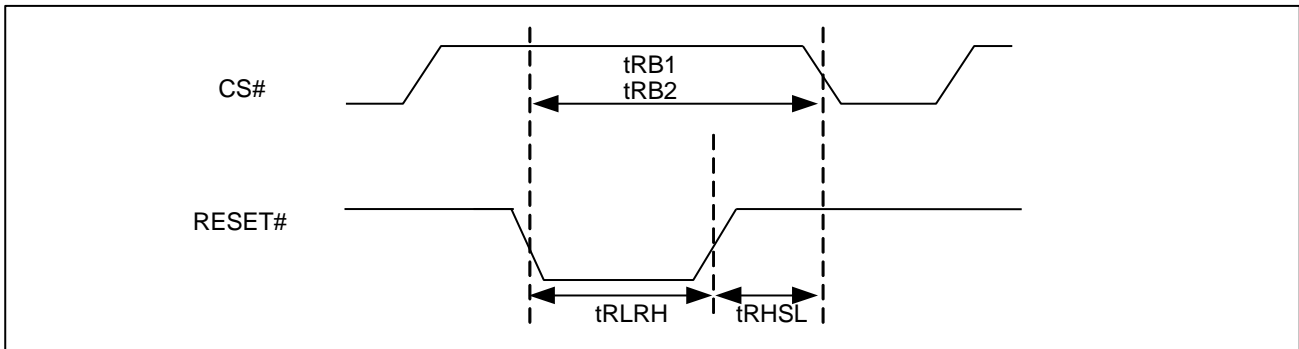


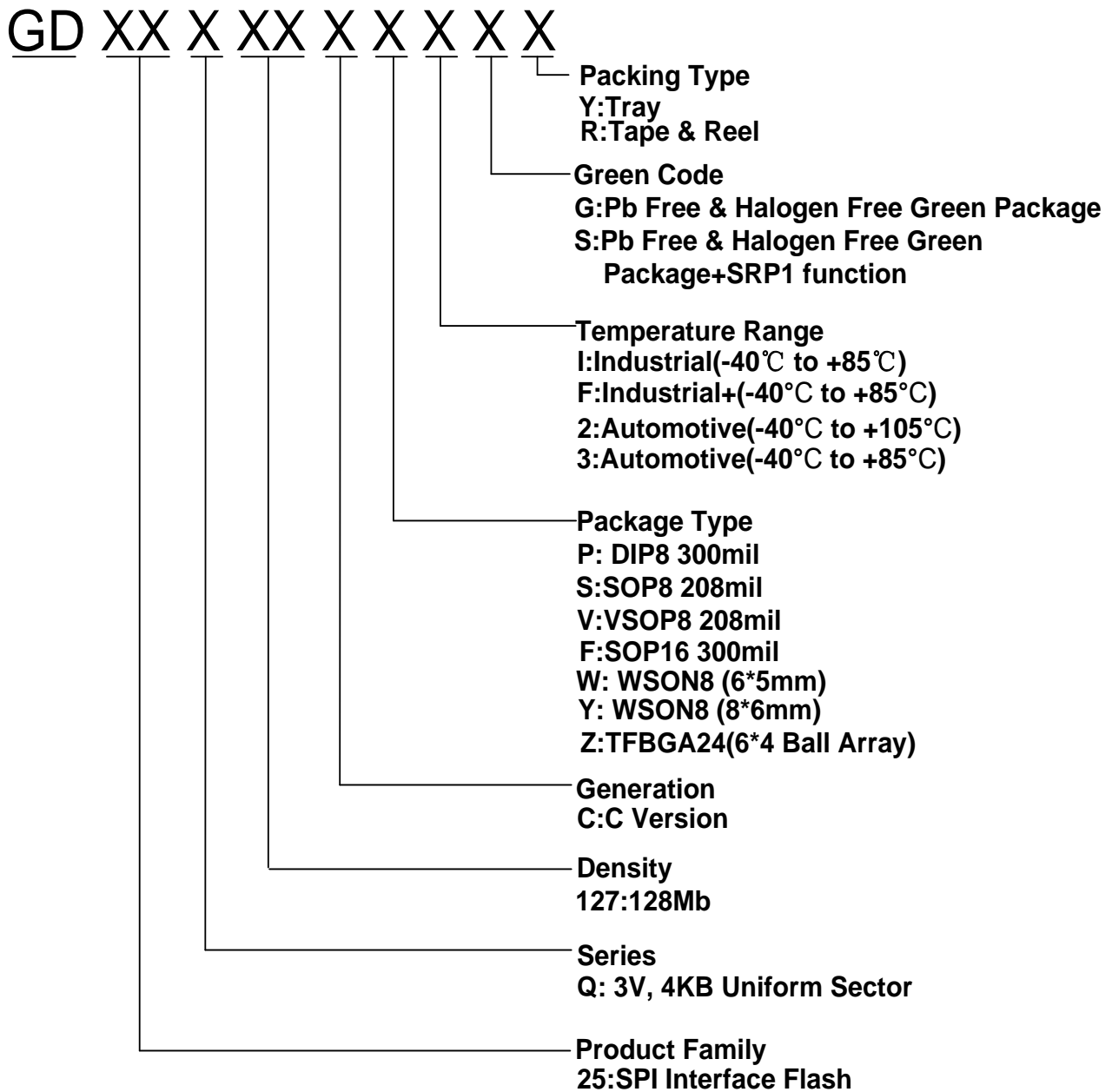
Figure47. RESET Timing



Reset Timing

| Symbol | Parameter | Setup | Speed | Unit. |
|--------|--|-------|-------|-------|
| tRLRH | Reset pulse width | MIN | 1 | us |
| tRHSL | Reset high time before read | MIN | 50 | ns |
| tRB1 | Reset recovery time(For NOT busy mode) | MAX | 5 | us |
| tRB2 | Reset recovery time(For busy mode) | MAX | 60 | us |

9. ORDERING INFORMATION





9.1. Valid Part Numbers

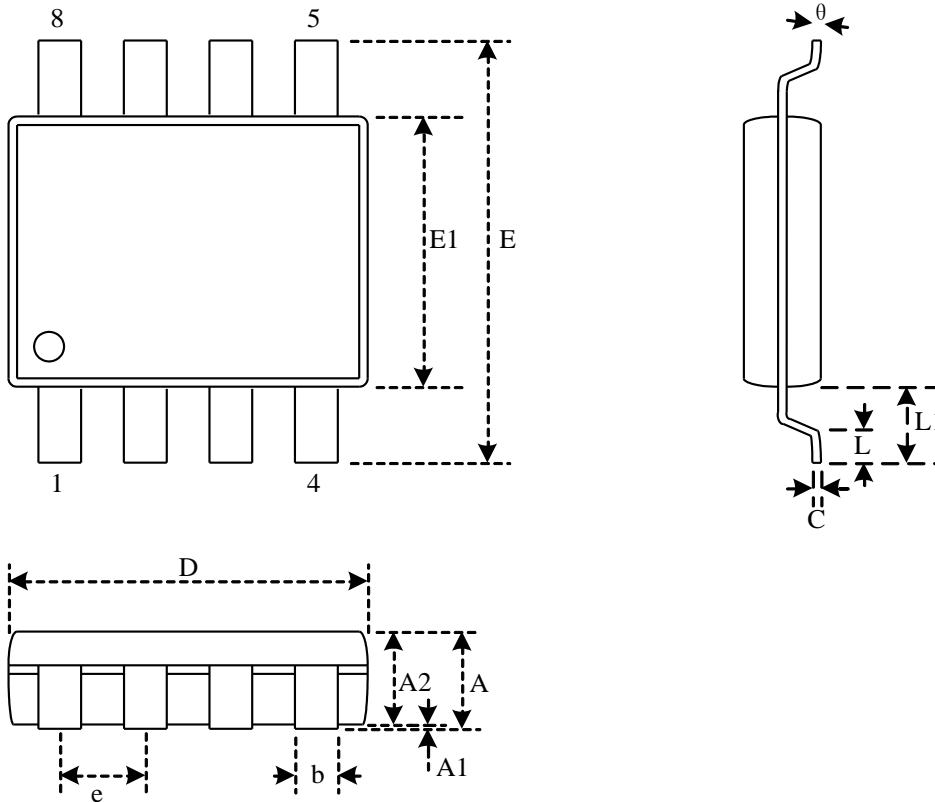
Please contact GigaDevice regional sales for the latest product selection and available from factors.

| Product Number | Density | Package Type | Temperature |
|-----------------------|----------------|--------------------------------|-----------------------|
| GD25Q127CPIG | 128Mbit | DIP 300mil | -40°C to +85°C |
| GD25Q127CSIG | 128Mbit | SOP8 208mil | -40°C to +85°C |
| GD25Q127CVIG | 128Mbit | VSOP8 208mil | -40°C to +85°C |
| GD25Q127CFIG | 128Mbit | SOP16 300mil | -40°C to +85°C |
| GD25Q127CWIG | 128Mbit | WSON8 6*5mm | -40°C to +85°C |
| GD25Q127CYIG | 128Mbit | WSON8 8*6mm | -40°C to +85°C |
| GD25Q127CZIG | 128Mbit | TFBGA24(6*4 ball array) | -40°C to +85°C |

Note: Please contact sales for automotive application.

10. PACKAGE INFORMATION

10.1. Package SOP8 208MIL

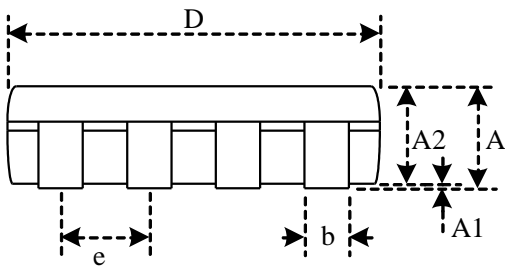
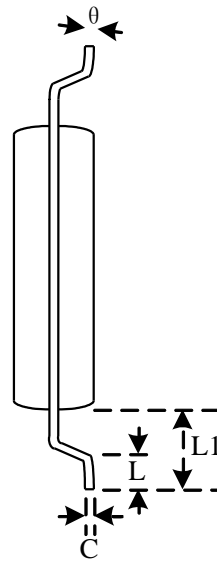
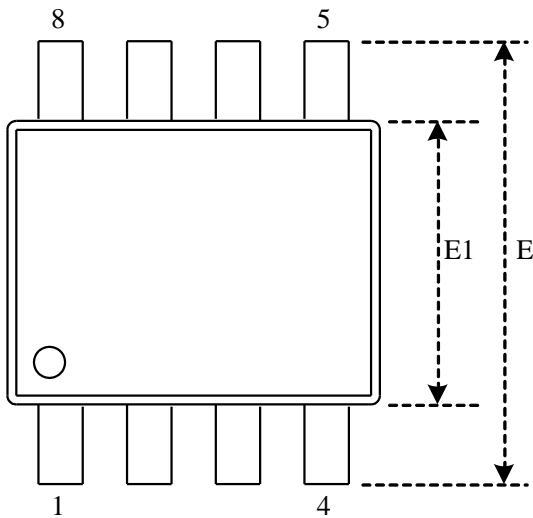


Dimensions

| Symbol | | A | A1 | A2 | b | C | D | E | E1 | e | L | L1 | θ |
|--------|-----|-------|-------|-------|-------|-------|-------|-------|-------|-------|-------|-------|----------|
| Unit | | | | | | | | | | | | | |
| mm | Min | | 0.05 | 1.70 | 0.31 | 0.18 | 5.13 | 7.70 | 5.18 | | 0.50 | 1.21 | 0 |
| | Nom | | 0.15 | 1.80 | 0.41 | 0.21 | 5.23 | 7.90 | 5.28 | 1.27 | 0.67 | 1.31 | 5 |
| | Max | 2.16 | 0.25 | 1.91 | 0.51 | 0.25 | 5.33 | 8.10 | 5.38 | | 0.85 | 1.41 | 8 |
| Inch | Min | | 0.002 | 0.067 | 0.012 | 0.007 | 0.202 | 0.303 | 0.204 | | 0.020 | 0.048 | 0 |
| | Nom | | 0.006 | 0.071 | 0.016 | 0.008 | 0.206 | 0.311 | 0.208 | 0.050 | 0.026 | 0.052 | 5 |
| | Max | 0.085 | 0.010 | 0.075 | 0.020 | 0.010 | 0.210 | 0.319 | 0.212 | | 0.033 | 0.056 | 8 |

Note: Both package length and width do not include mold flash.

10.2. Package VSOP8 208MIL

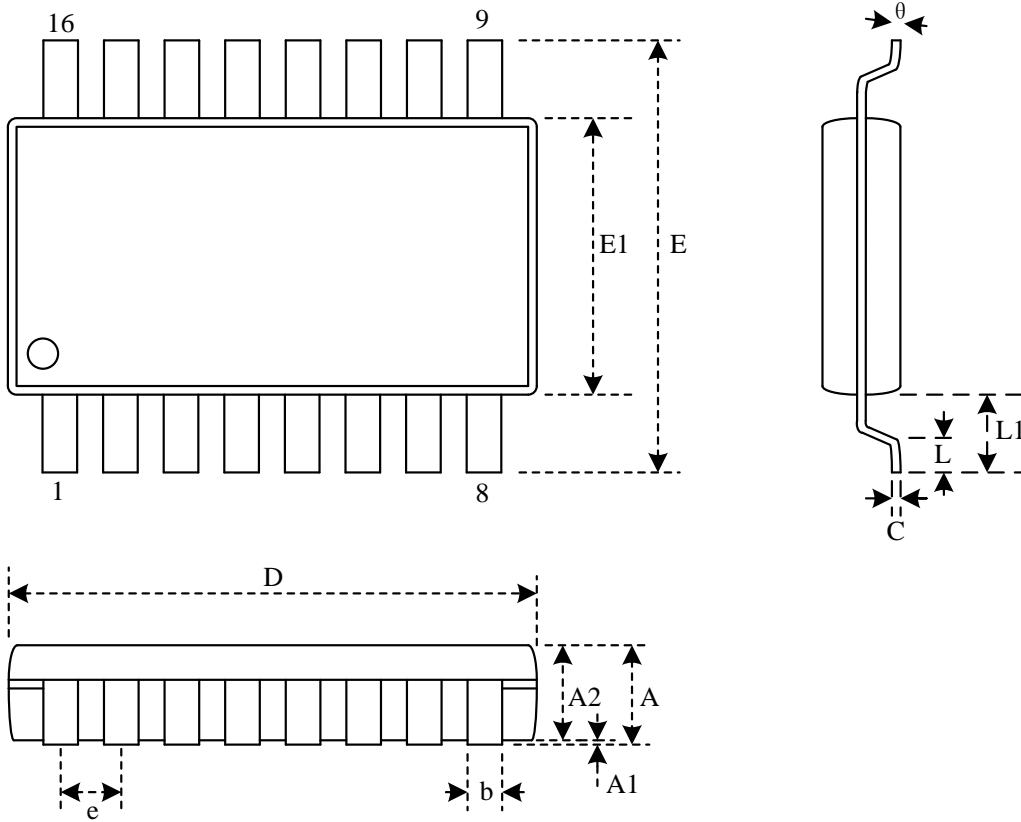


Dimensions

| Symbol | | A | A1 | A2 | b | D | E | E1 | e | L | L1 | C | θ |
|--------|-----|------|-------|-------|-------|-------|-------|-------|----------|-------|--------------|-------|-----|
| Unit | | | | | | | | | | | | | |
| mm | Min | - | 0.05 | 0.75 | 0.35 | 5.18 | 7.70 | 5.18 | - | 0.50 | 1.31REF | 0.09 | 0° |
| | Nom | - | 0.10 | 0.80 | 0.42 | 5.28 | 7.90 | 5.28 | 1.27BSC | 0.65 | | - | - |
| | Max | 1.00 | 0.15 | 0.85 | 0.48 | 5.38 | 8.10 | 5.38 | - | 0.80 | | 0.2 | 10° |
| Inch | Min | - | 0.002 | 0.030 | 0.014 | 0.204 | 0.303 | 0.204 | - | 0.020 | 0.052 REF | 0.004 | 0° |
| | Nom | - | 0.004 | 0.031 | 0.017 | 0.208 | 0.311 | 0.208 | 0.050BSC | 0.026 | | 0 | - |
| | Max | 0.04 | 0.006 | 0.033 | 0.019 | 0.212 | 0.319 | 0.212 | - | 0.031 | | 0.008 | 10° |

Note: Both package length and width do not include mold flash.

10.3. Package SOP16 300MIL

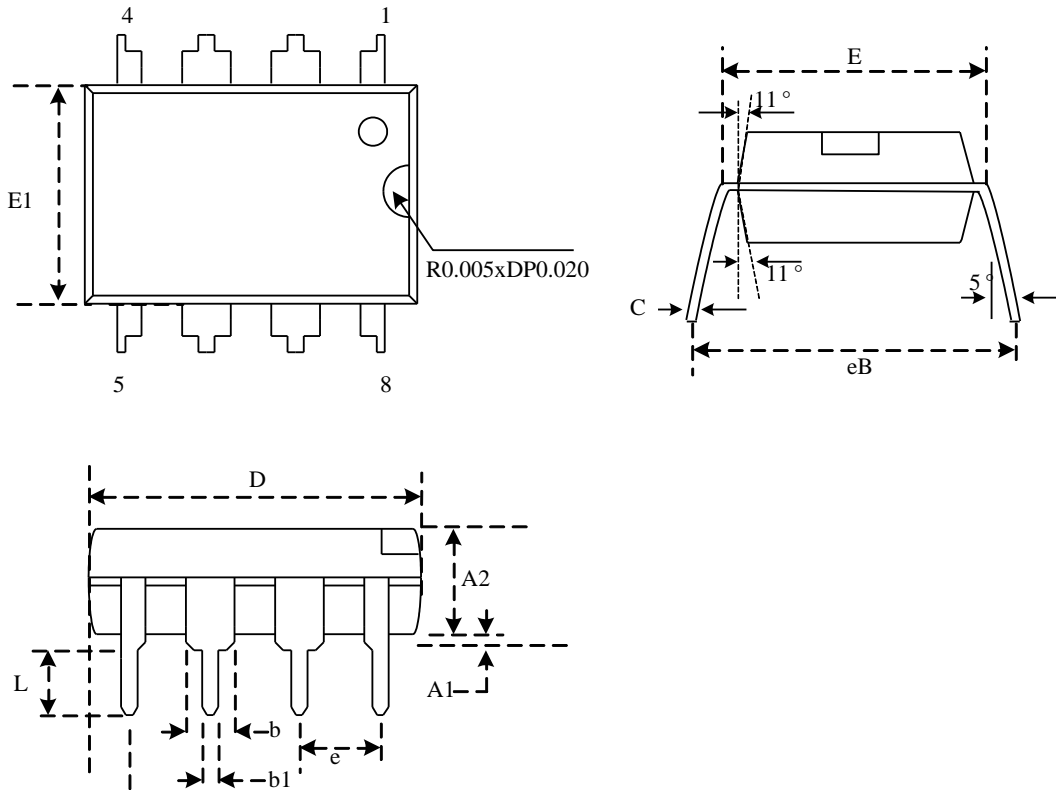


Dimensions

| Symbol | | A | A1 | A2 | b | C | D | E | E1 | e | L | L1 | θ |
|--------|-----|-------|-------|-------|-------|-------|-------|-------|-------|-------|-------|-------|----------|
| Unit | | | | | | | | | | | | | |
| mm | Min | 2.36 | 0.10 | 2.24 | 0.36 | 0.20 | 10.10 | 10.10 | 7.42 | | 0.40 | 1.31 | 0 |
| | Nom | 2.55 | 0.20 | 2.34 | 0.41 | 0.25 | 10.30 | 10.35 | 7.52 | 1.27 | 0.84 | 1.44 | 5 |
| | Max | 2.75 | 0.30 | 2.44 | 0.51 | 0.30 | 10.50 | 10.60 | 7.60 | | 1.27 | 1.57 | 8 |
| Inch | Min | 0.093 | 0.004 | 0.088 | 0.014 | 0.008 | 0.397 | 0.397 | 0.292 | | 0.016 | 0.052 | 0 |
| | Nom | 0.100 | 0.008 | 0.092 | 0.016 | 0.010 | 0.405 | 0.407 | 0.296 | 0.050 | 0.033 | 0.057 | 5 |
| | Max | 0.108 | 0.012 | 0.096 | 0.020 | 0.012 | 0.413 | 0.417 | 0.299 | | 0.050 | 0.062 | 8 |

Note: Both package length and width do not include mold flash.

10.4. Package DIP8 300MIL

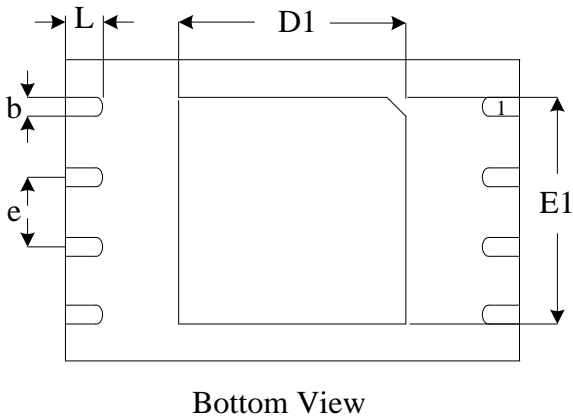
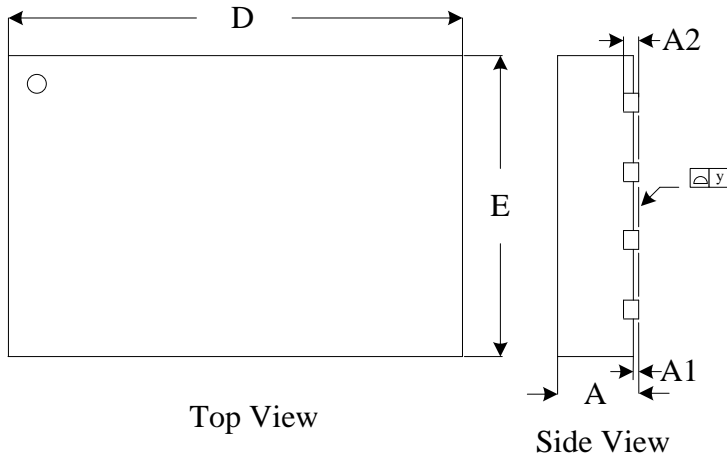


Dimensions

| Symbol | | A1 | A2 | b | b1 | C | D | E | E1 | e | eB | L |
|--------|-----|-------|-------|-------|-------|-------|-------|-------|-------|------|-------|------|
| Unit | | | | | | | | | | | | |
| mm | Min | 0.38 | 3.00 | 1.27 | 0.38 | 0.20 | 9.05 | 7.62 | 6.12 | | 7.62 | 3.04 |
| | Nom | 0.72 | 3.25 | 1.46 | 0.46 | 0.28 | 9.32 | 7.94 | 6.38 | 2.54 | 8.49 | 3.30 |
| | Max | 1.05 | 3.50 | 1.65 | 0.54 | 0.34 | 9.59 | 8.26 | 6.64 | | 9.35 | 3.56 |
| Inch | Min | 0.015 | 0.118 | 0.05 | 0.015 | 0.008 | 0.356 | 0.300 | 0.242 | | 0.333 | 0.12 |
| | Nom | 0.028 | 0.128 | 0.058 | 0.018 | 0.011 | 0.367 | 0.313 | 0.252 | 0.1 | 0.345 | 0.13 |
| | Max | 0.041 | 0.138 | 0.065 | 0.021 | 0.014 | 0.378 | 0.326 | 0.262 | | 0.357 | 0.14 |

Note: Both package length and width do not include mold flash.

10.5. Package WSON 8 (6*5mm)



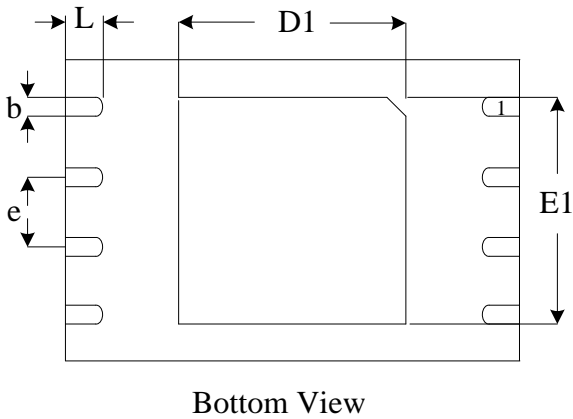
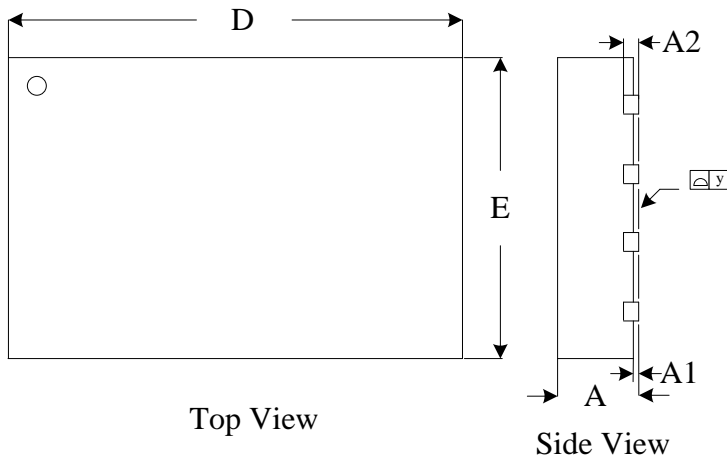
Dimensions

| Symbol | | A | A1 | A2 | b | D | D1 | E | E1 | e | y | L |
|--------|-----|-------|-------|-------|-------|-------|-------|-------|-------|---------|-------|-------|
| Unit | | | | | | | | | | | | |
| mm | Min | 0.70 | | 0.19 | 0.35 | 5.90 | 3.25 | 4.90 | 3.85 | | 0.00 | 0.50 |
| | Nom | 0.75 | | 0.22 | 0.42 | 6.00 | 3.37 | 5.00 | 3.97 | 1.27BSC | 0.04 | 0.60 |
| | Max | 0.80 | 0.05 | 0.25 | 0.48 | 6.10 | 3.50 | 5.10 | 4.10 | | 0.08 | 0.75 |
| Inch | Min | 0.028 | | 0.007 | 0.014 | 0.232 | 0.128 | 0.193 | 0.151 | | 0.000 | 0.020 |
| | Nom | 0.030 | | 0.009 | 0.016 | 0.236 | 0.133 | 0.197 | 0.156 | 0.05BSC | 0.001 | 0.024 |
| | Max | 0.032 | 0.002 | 0.010 | 0.019 | 0.240 | 0.138 | 0.201 | 0.161 | | 0.003 | 0.030 |

Note:

- Both package length and width do not include mold flash.
- The exposed metal pad area on the bottom of the package is connected to device ground (GND pin), so both Floating and connecting GND of exposed pad are also available.

10.6. Package WSON 8 (8*6mm)



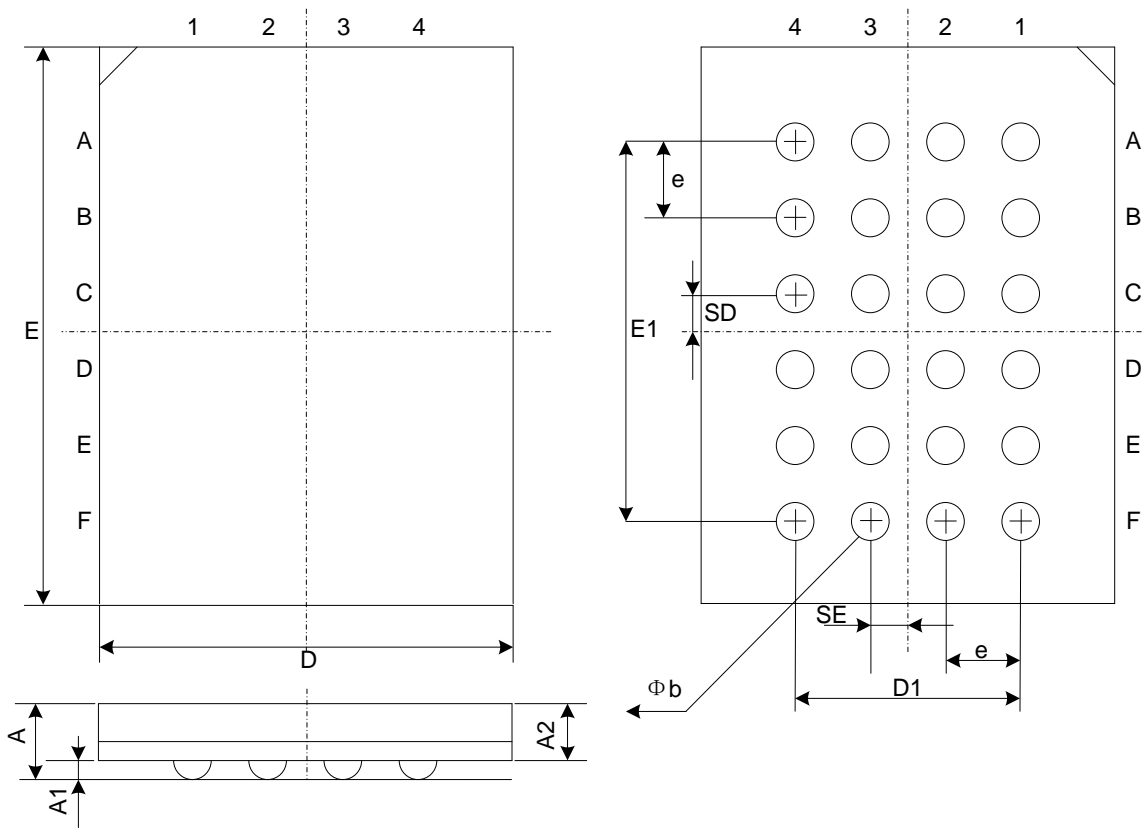
Dimensions

| Symbol | | A | A1 | A2 | b | D | D1 | E | E1 | e | y | L |
|--------|-----|-------|-------|----------|-------|-------|-------|-------|-------|----------|-------|-------|
| Unit | | | | | | | | | | | | |
| mm | Min | 0.70 | | | 0.35 | 7.90 | 3.25 | 5.90 | 4.15 | | | 0.55 |
| | Nom | 0.75 | | 0.20BSC | 0.40 | 8.00 | 3.42 | 6.00 | 4.30 | 1.27BSC | 1.80 | 0.60 |
| | Max | 0.80 | 0.05 | | 0.45 | 8.10 | 3.50 | 6.10 | 4.40 | | | 0.65 |
| Inch | Min | 0.028 | | | 0.014 | 0.311 | 0.128 | 0.232 | 0.163 | | | 0.022 |
| | Nom | 0.030 | | 0.008BSC | 0.016 | 0.315 | 0.135 | 0.236 | 0.169 | 0.050BSC | 0.071 | 0.024 |
| | Max | 0.031 | 0.002 | | 0.018 | 0.319 | 0.138 | 0.240 | 0.173 | | | 0.027 |

Note:

- Both package length and width do not include mold flash.
- The exposed metal pad area on the bottom of the package is connected to device ground (GND pin), so both Floating and connecting GND of exposed pad are also available

10.7. Package TFBGA-24BALL (6*4 ball array)



Dimensions

| Symbol | | A | A1 | A2 | b | D | D1 | E | E1 | e | SE | SD |
|--------|-----|-------|-------|-------|-------|-------|-------|-------|-------|-------|-------|-------|
| Unit | | | | | | | | | | | | |
| mm | Min | | 0.25 | | 0.35 | 5.95 | 3.00 | 7.95 | 5.00 | 1.00 | 0.50 | 0.50 |
| | Nom | | 0.30 | 0.85 | 0.40 | 6.00 | BSC | 8.00 | BSC | BSC | TYP | TYP |
| | Max | 1.20 | 0.35 | | 0.45 | 6.05 | | 8.05 | | | | |
| Inch | Min | | 0.010 | | 0.014 | 0.234 | 0.118 | 0.313 | 0.197 | 0.039 | 0.020 | 0.020 |
| | Nom | | 0.012 | 0.033 | 0.016 | 0.236 | BSC | 0.315 | BSC | BSC | TYP | TYP |
| | Max | 0.047 | 0.014 | | 0.018 | 0.238 | | 0.317 | | | | |

Note: Both package length and width do not include mold flash.



11. REVISION HISTORY

| Version No | Description | Date |
|------------|---|------------|
| 1.0 | Initial Release | 2016-03-17 |
| 1.1 | Modify SFDP table | 2016-05-31 |
| 1.2 | Modify TFBGA-24Ball (6*4 ball array) Delete Data Retention and endurance Modify POWER-ON TIMING: VWI Min 1V Change to 1.5V. Add Valid Part Numbers Modify Features: Add Allows XIP(execute in place)operation | 2016-07-20 |
| 1.3 | Update Table7.5. Parameter Table (1): GigaDevice Flash Parameter Tables | 2016-08-26 |
| 1.4 | Modify Package WSON8 8x6mm | 2016-12-15 |
| 1.5 | Update WSON8(6*5mm) Update WOSN8(8*6mm) Modify ORDERING INFORMATION Modify SRP1, SRP0 bits Notes | 2017-02-23 |