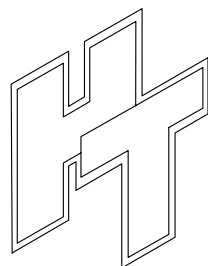
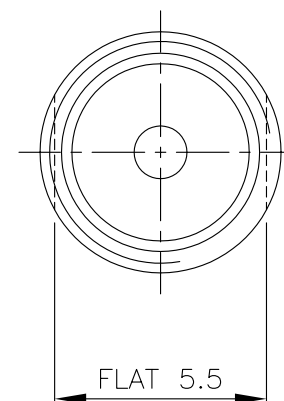
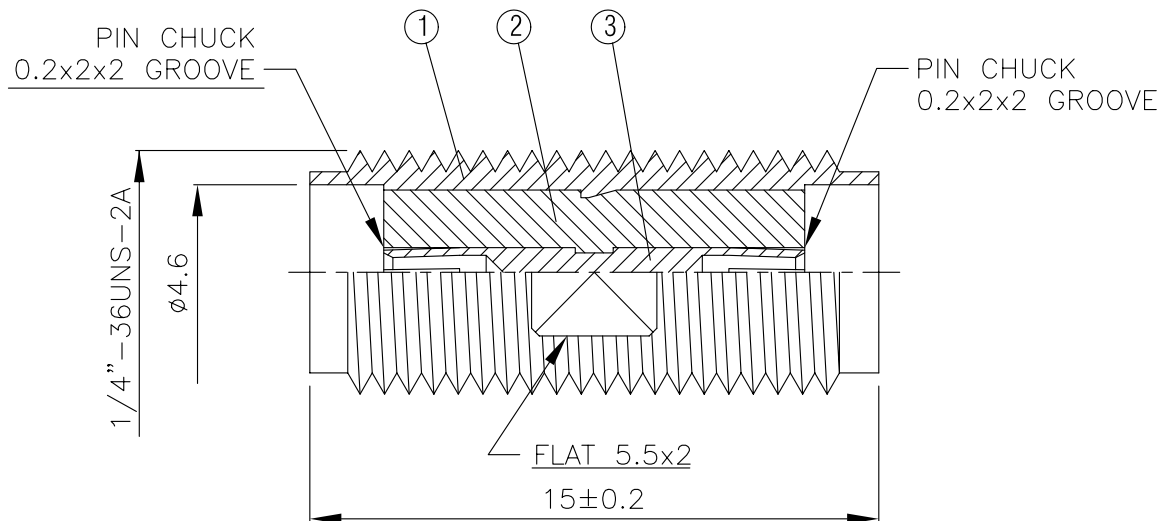
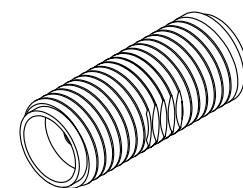


NO	DESCRIPTION	MATERIAL	Q'TY	FINISH	REMARK
1	BODY	BRASS	1	NICKEL	B-SMA0427-N
2	INSULATION	TEFLON	1	TEFLON	I-0202T
3	PIN	BE CU	1	GOLD	P-SMA0280-G



HUS-TSAN GROUP CO., LTD.

P.O. BOX 40-76. TAINAN. TAIWAN, R.O.C.

TITLE SMA FEMALE-FEMALE ADAPTOR

PART NO. SMA-15-TGN

DRAWING NO. SMA 15 TGN

DRAWN MARY

CHECKED 蘇姿潔

Q.A. 馮健華

APPROVAL 徐燦霖

REVISION

DATE 96.03.21

DATE

DATE

DATE

DATE

DIMENSIONS ARE IN MILLIMETERS

UNLESS OTHERWISE SPECIFIED TOLERANCE

0.5-5=±0.2 120-315=±1

5-30=±0.4 315-1000=±1.6

30-120±0.6 1000-2000=±2.4

SCALE 4:1 SIZE A

REVISION

DESCRIPTION

ENGINEER