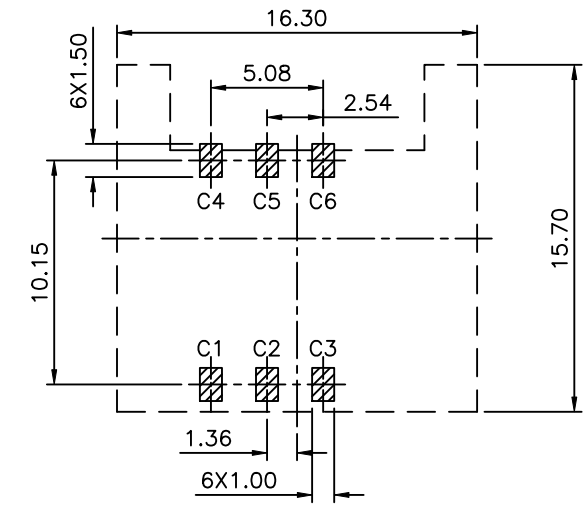
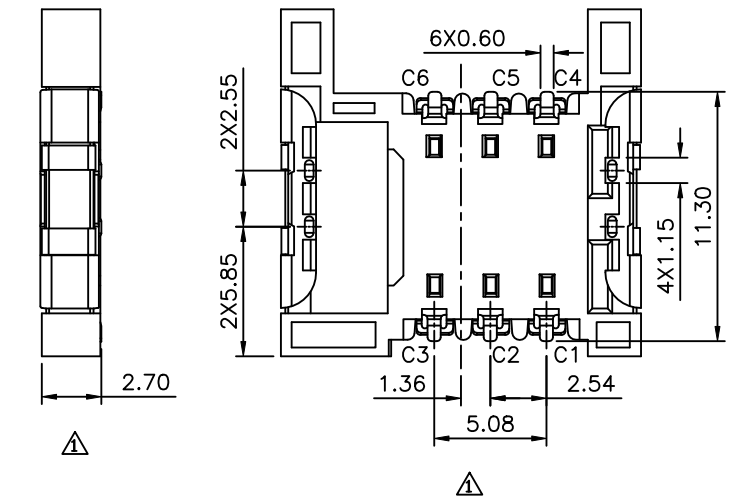
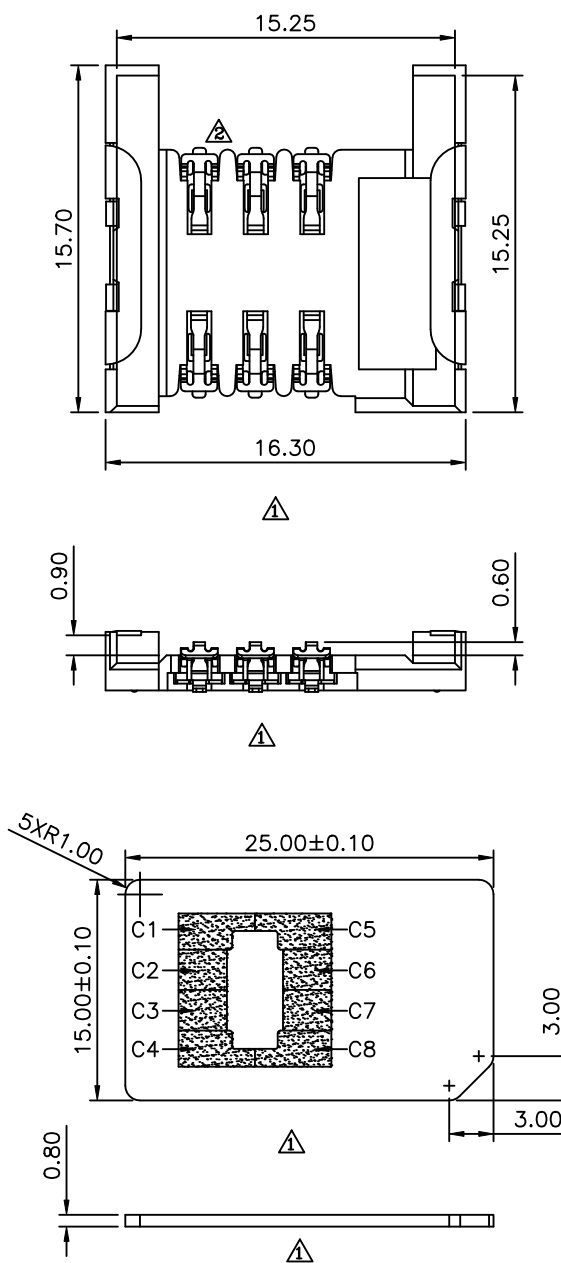


△△ SPECIFICATION
△△△ 1.General Characteristics
 Smart/SIM Card Slide In Type 06P SMT 90°
 Without Locating Peg Without Switch Row
 Pitch=X Type H=2.7mm Gold Flash Tape & Reel 1000 PCS/Reel
2.Material&Finish
 Housing:LCP(UL94V-0),Black
 Contact:C5191,Gold Flash Over All, Over Nickel
△ Shell:SUS304,No Plated
3.Electrical Characteristics
 Current Rating:0.50mA
 Voltage Rating:30V AC
 Contact Resistance:30 Milliohms Max.
 Insulation Resistance:1000 Megaohms Min.
 Dielectric Voltage:500V AC/Minute
4.Environmental Characteristics
 Operating Temperature: -20°C~+85°C
5.RoHS Compliant

△△△ SC U - W 06 X 27 - G020 C - R1K - H
 (1) (2) (3) (4) (5) (6) (7) (8) (9) (10)
 (1) SC:Smart Card/SIM Card
 (2) U:Slide In Type
 (3) W:SMT Right Angle
 (4) 06:No. Of Position
 (5) X:Row Pitch=X Type
 (6) 27:Base Height 2.7mm
 (7) G020:Gold Flash Over All,Over Nickel
 (8) C:Without Post & Switch
 (9) R1K:Tape & Reel 1000 PCS/Reel
 (10) H:RoHS Compliant



△△ Recommended P.C.B. Layout
 General Tolerance:±0.05

CATEGORY	APPROVED BY	UNLESS OTHERWISE SPECIFIED TOLERANCES ARE △	△ B4	Modify P/N:SCU-W06X27-G020C-R9H-H --> SCU-W06X27-G020C-R1K-H	HZF	05/05/2017
PART No. △△△△ SCU-W06X27-G020C-R1K-H	MEI	X. ±0.25 X.* ±3.0° .X ±0.20 .X* ±2.5° .XX ±0.15 .XX* ±2.0° .XXX ±0.10 .XXX* ±1.5°	△ B3	Modify P/N:SCU-W06X27-G020C-H --> SCU-W06X27-G020C-R9H-H	HZF	09/09/2014
DRAWING No. SCU-W06X27-G020C-R1K-H	CHECKED BY HZF		△ B2	Modify Data	HZF	11/14/2013
SCALE NONE	DRAWING BY CYP		△ B1	Modify P/N:SCU-W06X27-020C-H --> SCU-W06X27-G020C-H	HZF	06/21/2012
REV.	B4	UNIT mm	△ B0	NEW RELEASE	INGRID	02/20/2008
			NO.REV.	REVISIONS	CHK	DATE