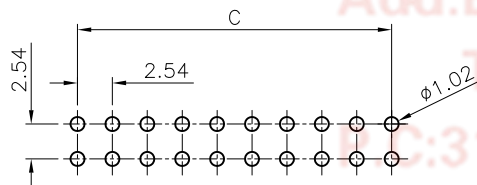
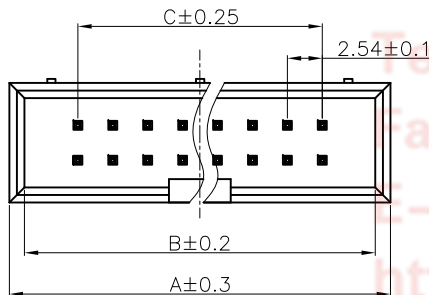
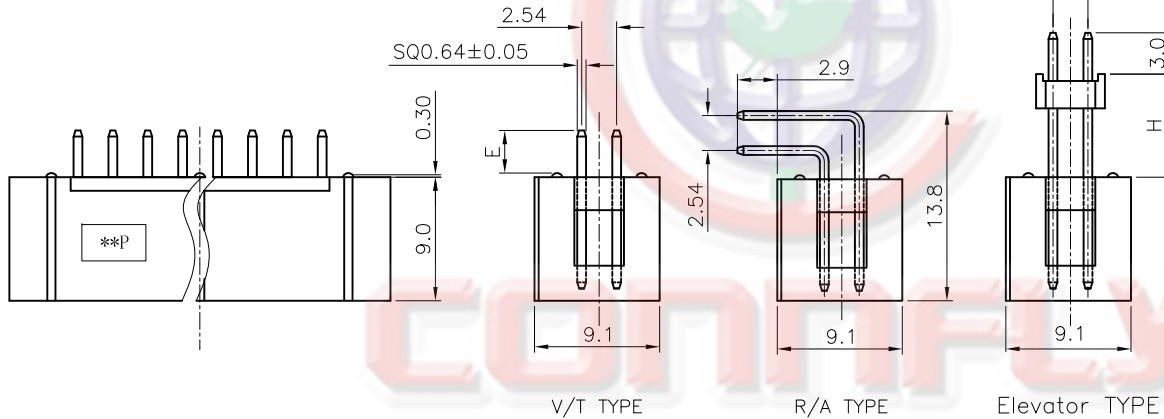
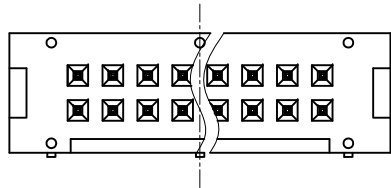


Dept
Qty
DC 1
ED 1
IE 1
ISO 1
PD 1
R&D 1
SD 1
QA 1
QC 1
QE 1

The information provided herein is from CONNELY Electronic Co., Ltd. and is confidential. Any disclosure to a party other than the recipient is prohibited. The intellectual properties and its rights contained herein, including but not limited to, trademarks, patents, copyrights, trade secrets, and technical know-how, are owned exclusively by CONNELY or its affiliates. Unauthorized use or reproduction of this information in any format or manner, CONNELY may enforce its intellectual property rights at its own discretion; failures or delays to exercise such rights does not constitute a waiver of such rights.

REV.	DESCRIPTION	DRAWN	CHECKED	APPROVED
A	NEW RELEASE	LJH 09/20/05'		LJC 09/20/05'
B	ADD P/N CODE	YCH 12/02/13'		LJC 12/02/13'
C	DRAWING UPDATE	JLZ 11/09/17'	HZW 11/09/17'	LJC 11/09/17'
G	DRAWING UPDATE	JLZ 08/24/18'		



RECOMMEND PCB LAYOUT(TOLERANCE=±0.05)

Dimension

Position	A	B	C				
06	15.22	13.02	5.08				
08	17.76	15.56	7.62				
10	20.30	18.10	10.16				
12	22.84	20.64	12.70	30	45.70	43.50	35.56
14	25.38	23.18	15.24	34	50.78	48.58	40.64
16	27.92	25.72	17.78	40	58.40	56.20	48.26
20	33.00	30.80	22.86	50	71.10	68.90	60.96
24	38.08	35.88	27.94	60	83.80	81.60	73.66
26	40.62	38.42	30.48	64	88.88	86.68	78.74

NOTES:

1. ELECTRICAL CHARACTERISTICS:

- 1.1 CONTACT RESISTANCE: 20mΩ Max. INITIAL.
- 1.2 DIELECTRIC WITHSTANDING VOLTAGE: 500V AC(rms) FOR 1 MINUTE.
- 1.3 INSULATION RESISTANCE: 1000MΩ Min.
- 1.4 CURRENT RATING:3A.

2. ENVIRONMENT CHARACTERISTICS:

TEMPERATURE RANGE: -40°C~+105°C.

3. PRODUCT NUMBER CODE:

DS1013- X X X X X X - X

HOUSING MATERIAL

- 0: PBT UL94 V-0
- 2: PBT UL94 HB
- 4: PA-46
- 9: PA-9T

PLATING LEVEL

- 3A: LEVEL B: LEVEL B
- N: LEVEL N

DIM. H TYPE (FOR ELEVATOR ONLY)

- 1: 7.50
- 2: 9.50

DIM. E TYPE (FOR V/T ONLY)

- 1: 3.10
- 2: 8.00

HOUSING COLOR

- B: BLACK U: BLUE
- W: WHITE A: GRAY

CONTACT PLATING

Si: FULL GOLD FLASH

MOUNTING TYPE

- S: V/T TYPE
- R: R/A TYPE
- E: Elevator TYPE

No.OF CONTACTS

- 06 08 10 14 16 20 24
- 26 30 34 40 50 60 64

GENERAL TOLERANCE		ANGLE TOLERANCE	
X.	±0.60	X.	±5°
.X	±0.38	.X	±3°
.XX	±0.25	.XX	±2°

PROJECTION	TITLE
	2.54mm BOX HEADER
UNITS	R/A, V/T & ELEVATOR TYPE
SHEET SIZE	A4
SERIES	DS1013 SERIES

DRAWING TYPE	CUSTOMER
SCALE	1:1 SHEET 1 OF 1
DRAWING NO.	C-DS1013-XXXX-X-X-G

晨翔电子有限公司
CONNFLY CONNELY ELECTRONIC CO. LTD

Dept
Qty
DC 1
ED 1
IE 1
ISO 1
PD 1
R&D 1
SD 1
QA 1
QC 1
QE 1

The information provided herein is from CONNELY Electronic Co., Ltd. and is confidential. Any disclosure to a party other than the recipient is prohibited. The intellectual properties and its rights contained herein, including but not limited to, trademarks, patents, copyrights, trade secrets, and technical know-how, are owned exclusively by CONNELY or its affiliates. Unauthorized use of the information herein, in any form or manner, CONNELY may enforce its intellectual property rights at its own discretion; failures or delays to exercise such rights does not constitute a waiver of such rights.

1 2 3 4 5 6 7 8

REV.	DESCRIPTION	DRAWN	CHECKED	APPROVED
A	NEW RELEASE	LJH 09/20/05'		LJC 09/20/05'
B	ADD P/N CODE	YCH 12/02/13'		LJC 12/02/13'
C	DRAWING UPDATE	JLZ 11/09/17'	HZW 11/09/17'	LJC 11/09/17'
D	DRAWING UPDATE	JLZ 08/24/18'		

NOTES:

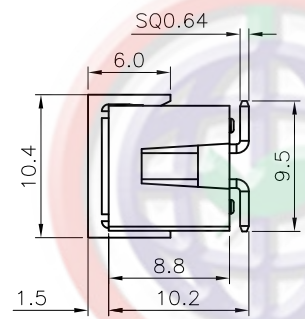
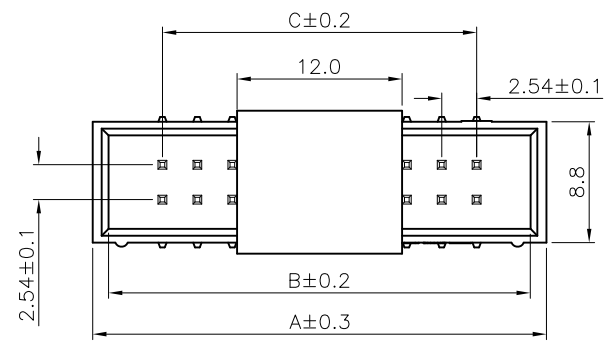
- ELECTRICAL CHARACTERISTICS:
 - CONTACT RESISTANCE: 20mΩ Max. INITIAL.
 - DIELECTRIC WITHSTANDING VOLTAGE: 500V AC(rms) FOR 1 MINUTE.
 - INSULATION RESISTANCE: 1000MΩ Min.
 - CURRENT RATING:3A.
- ENVIRONMENT CHARACTERISTICS:

TEMPERATURE RANGE: -40°C~+105°C.
- PRODUCT NUMBER CODE:

DS1013- X X X X X - X

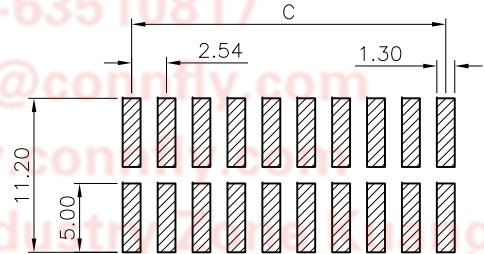
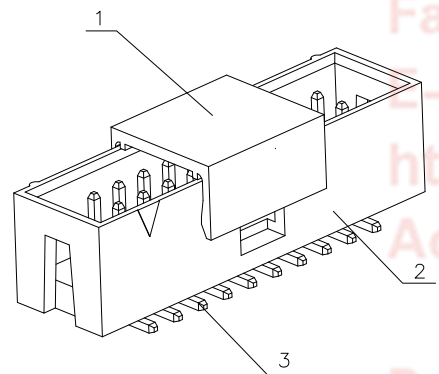
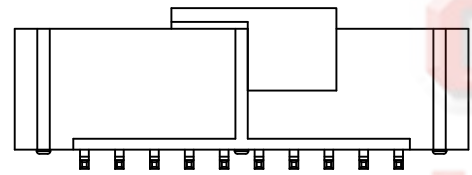
 - PLATING LEVEL
3A: LEVEL 3A
B: LEVEL B
 - PACKING TYPE
A: TUBE
R: TAPE ON REEL
T: TRAY
 - PICK UP SUPPORT
S: W/ PICK UP
X: W/O PICK UP
 - CONTACT PLATING
Si: FULL GOLD FLASH
 - MOUNTING TYPE
M: SMT TYPE

No.OF CONTACTS
06 08 10 14 16
20 24 26 30 34
40 50 60 64



Dimension

Position	A	B	C
06	15.22	13.02	5.08
08	17.76	15.56	7.62
10	20.30	18.10	10.16
12	22.84	20.64	12.70
14	25.38	23.18	15.24
16	27.92	25.72	17.78
20	33.00	30.80	22.86
24	38.08	35.88	27.94
26	40.62	38.42	30.48
30	45.70	43.50	35.56
34	50.78	48.58	40.64
40	58.40	56.20	48.26
50	71.10	68.90	60.96
60	83.80	81.60	73.66
64	88.88	86.68	78.74



RECOMMEND PCB LAYOUT
TOLERANCE=±0.05

ITEM	PART NAME	MATERILAS	FINISHED	DRAWING NO.	C-DS1013-XXMXXX-X-D
3	CONTACT	COPPER ALLOY	GOLD FLASH	GENERAL TOLERANCE	ANGLE TOLERANCE
2	HOUSING	PA-9T	RoHS II ,UL94 V-0	X. ±0.60	X. ±5°
1	PICK UP	PA-9T	RoHS II ,UL94 V-0	.X ±0.38	.X ±3°
				.XX ±0.25	.XX ±2°
				DRAWING TYPE	CUSTOMER
				SCALE	1:1 SHEET 1 OF 1
				DRAWING NO.	C-DS1013-XXMXXX-X-D
				PROJECTION	
				UNITS	mm
				SHEET SIZE	A4
				TITLE	2.54mm BOX HEADER SMT TYPE
				SERIES	DS1013 SERIES
晨翔电子有限公司 CONNFLY CONNELY ELECTRONIC CO. LTD					

1 2 3 4 5 6 7 8