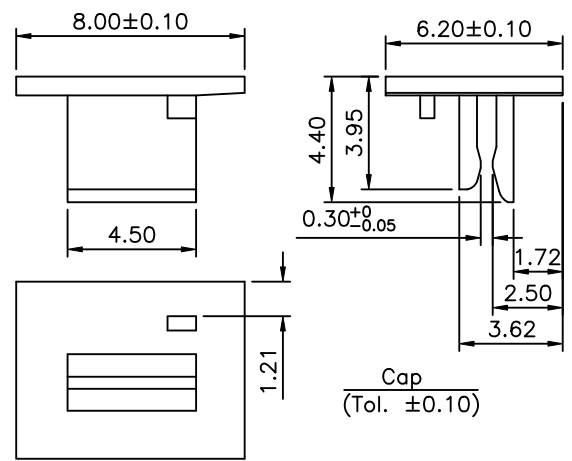
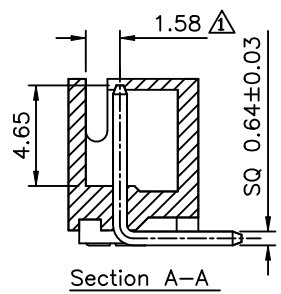
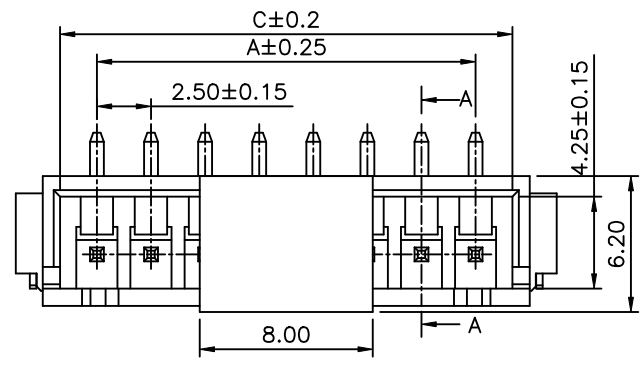


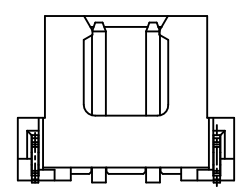
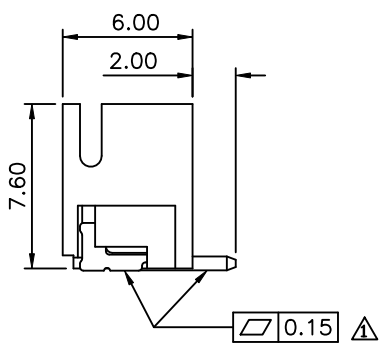
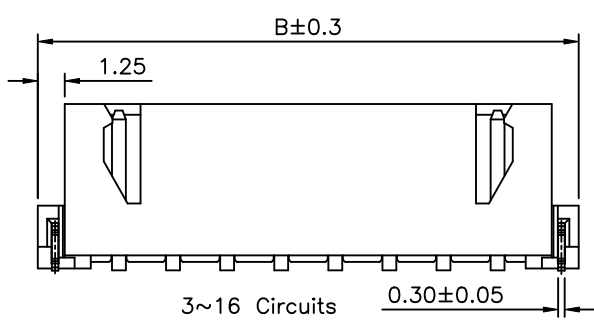
Recommended P.C.B. Layout



Cap
(Tol. ±0.10)



Section A-A



2 Circuits

SPECIFICATION
 Current Rating:3A AC/DC
 Voltage Rating:250V AC/DC
 Withstand Voltage:1000V AC/Minute
 Contact Resistance:20 Milliohms Max.
 Insulation Resistance:1000 Megaohms Min.
 Operation Temperature:-25°C~+85°C
 Housing:PA9T(UL94V-0)
 Cap:PA9T(UL94V-0)
 Contact:Brass,Tin Plated Over Nickel
 Solder Nail:Brass,Tin Plated Over Nickel
 RoHS Compliant

XH XX V C - RXXX- H
 (1) (2) (3) (4) (5) (6)

- (1) XH:2.5mm XH Series
- (2) XX:No. Of Position
- (3) V:SMT Straight
- (4) C:With Cap
- (5) RXXX:Tape&Reel
- (6) H:RoHS Compliant

Pin	A	B	C
02	2.50	10.00	5.90
03	5.00	12.50	8.40
04	7.50	15.00	10.90
05	10.00	17.50	13.40
06	12.50	20.00	15.90
07	15.00	22.50	18.40
08	17.50	25.00	20.90
09	20.00	27.50	23.40
10	22.50	30.00	25.90
11	25.00	32.50	28.40
12	27.50	35.00	30.90
13	30.00	37.50	33.40
14	32.50	40.00	35.90
15	35.00	42.50	38.40
16	37.50	45.00	40.90

AUK A MEMBER OF AUK GROUP
太聯事業股份有限公司
AUK CONTRACTORS CO., LTD.

CATEGORY		APPROVED BY		UNLESS OTHERWISE SPECIFIED TOLERANCES ARE .X ±0.30 .XX ±0.20 .XXX ±0.10 ANG. ±1°				
PART No. XHXXVC-RXXX-H		MEI						
DRAWING No. XHXXVC-RXXX-H		HZF						
SCALE NONE		CYP						
REV.	A1	UNIT mm						
NO.	REV.	REVISIONS						
		CHK	DATE					