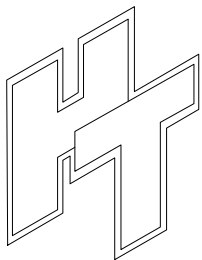
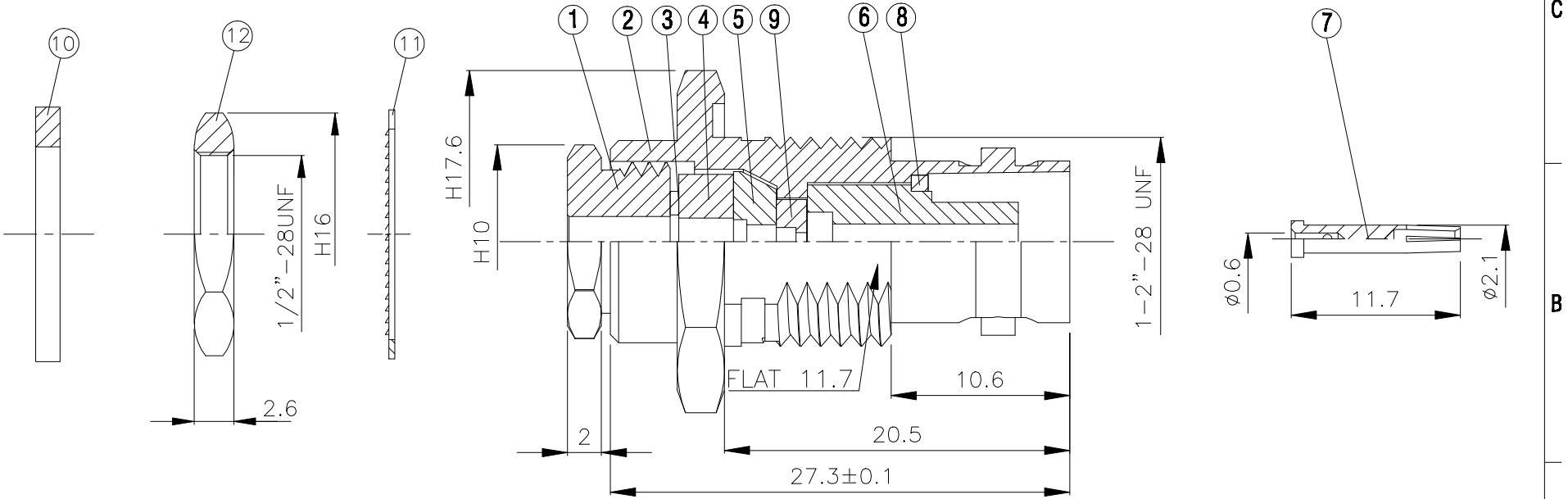
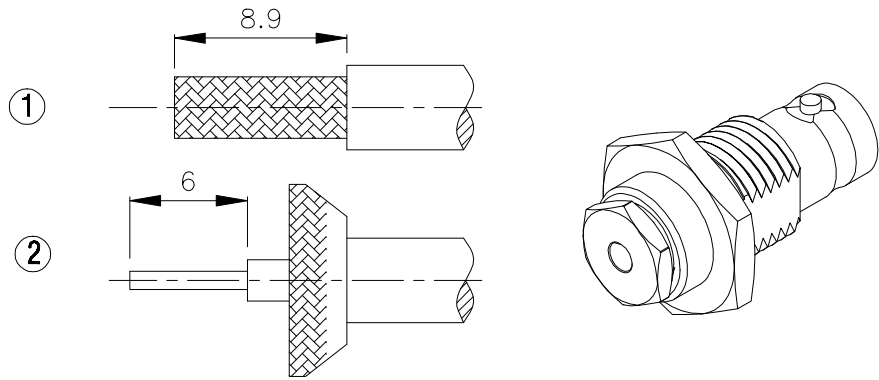


NO	DESCRIPTION	MATERIAL	Q'TY	FINISH	REMARK
1	NUT	BRASS	1	NICKEL	N-0067-N
2	BODY 1	BRASS	1	NICKEL	B-N1492-N
3	WASHER 1	BRASS	1	NICKEL	W-0083-N
4	RUBBER	SI RUBBER	1	RUBBER	RU-0052
5	WASHER 2	BRASS	1	NICKEL	W-0085-N
6	INSULATION	TEFLON	1	TEFLON	I-0361T
7	PIN	BRASS	1	GOLD	P-BNC0521-G
8	WASHER 3	BRASS	1	NICKEL	W-0014-N
9	INSULATION	TEFLON	1	TEFLON	I-0088T
10	GASKET	RUBBER	1	RUBBER	RU-0006
11	WASHER	BRASS	1	NICKEL	W-0001-N
12	NUT	BRASS	1	NICKEL	N-0003-N



HUS-TSAN GROUP CO., LTD.

P.O. BOX 40-76. TAINAN. TAIWAN, R.O.C.

TITLE: BNC FEMALE 4 HOLES
CLAMP FOR RG-174/U, 316/U

PART NO. **BNC-06LV1-TGN-2**

DRAWING NO. **BNC 06LV1 TGN-2**

DRAWN

蘇姿潔

DATE **98.10.13**

CHECKED

蘇志欣

DATE

Q.A.

林妙樺

DATE

APPROVAL

徐燦霖

DATE

REVISION

DATE

DIMENSIONS ARE IN MILLIMETERS

UNLESS OTHERWISE SPECIFIED
TOLERANCE

0.5-5 = ±0.2 120-315 = ±1

5-30 = ±0.4 315-1000 = ±1.6

30-120 ±0.6 1000-2000 = ±2.4

SCALE

4:1

SIZE

A

(Recommended Stripping Dimension)

REVISION

DESCRIPTION

ENGINEER

A