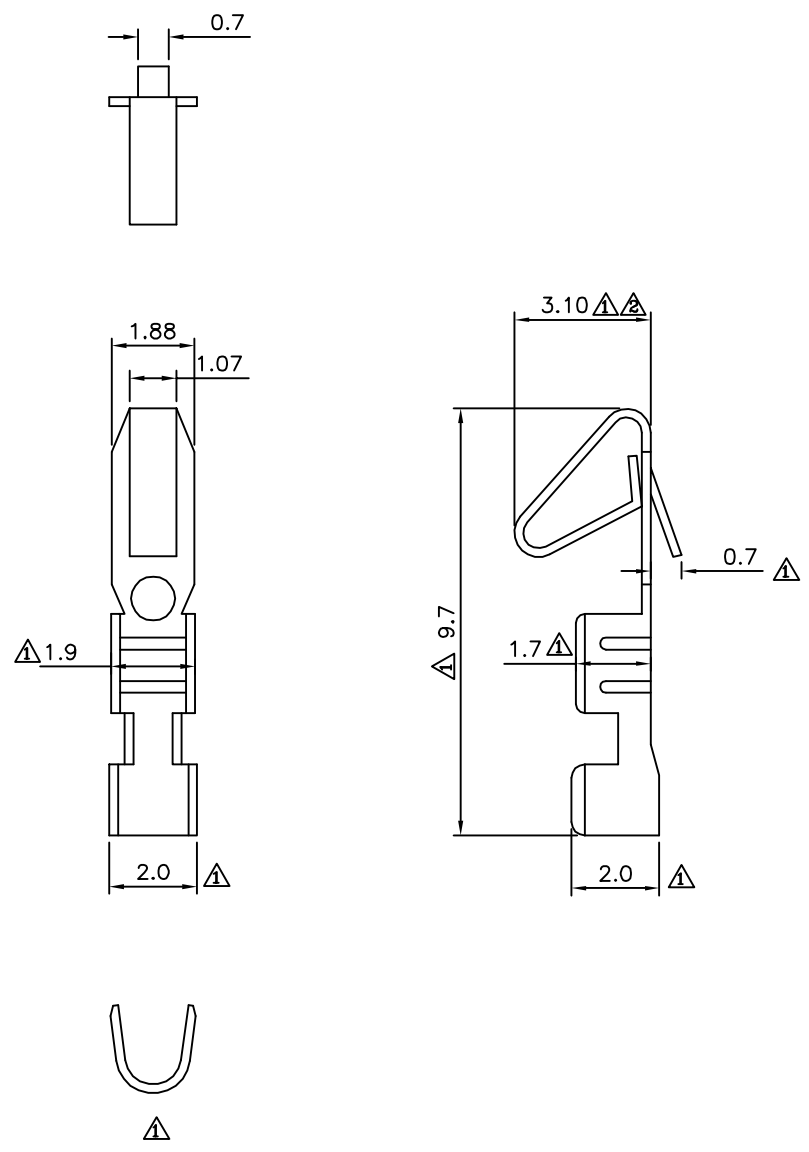


△ SPECIFICATION  
 Applicable Wire:AWG #22~30  
 Material:Brass,Tin Plated  
 Thickness:0.2mm  
 Hardness:SH  
 Q'ty:10,000 PCS/Reel  
 RoHS Compliant



**AUK** A MEMBER OF AUK GROUP  
**太聯事業股份有限公司**  
**AUK CONTRACTORS CO., LTD.**

CATEGORY		APPROVED BY EMILY	
PART No. MKT-R10K-H		CHECKED BY HZF	
DRAWING No. MKT-R10K-H		DRAWING BY HAO	
SCALE	NONE	REV.	A2

UNLESS OTHERWISE SPECIFIED TOLERANCES ARE  
 .X ±0.38  
 .XX ±0.25  
 UNIT mm

NO.	REV.	REVISIONS	CHK	DATE
△ A2		Modify P/N:MKT-H --> MKT-R10K-H	HZF	02/03/2015
△ A1		Modify Data	HZF	03/05/2010
△ A0		NEW RELEASE	BECKY	02/14/2006