

REV.	DESCRIPTION	DRAWN	CHECKED	APPROVED
A	NEW RELEASE	YCH 11/05/08	~	LJC 11/05/08
B	ADD PACKING TYPE	YCH 11/18/13'	~	LJC 11/18/13'
C	DRAWING UPDATE	JLZ 01/18/18'	~	

NOTES:

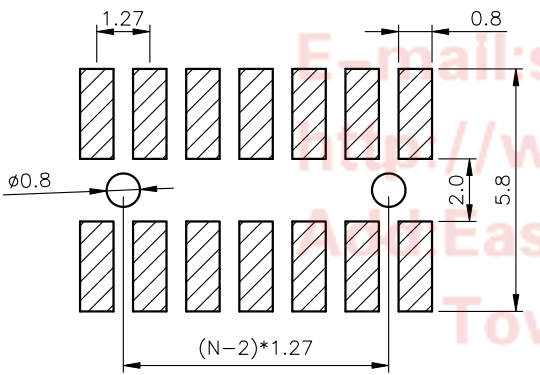
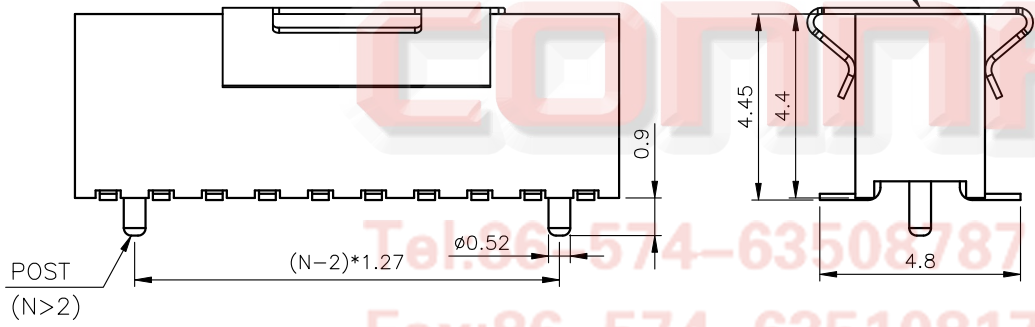
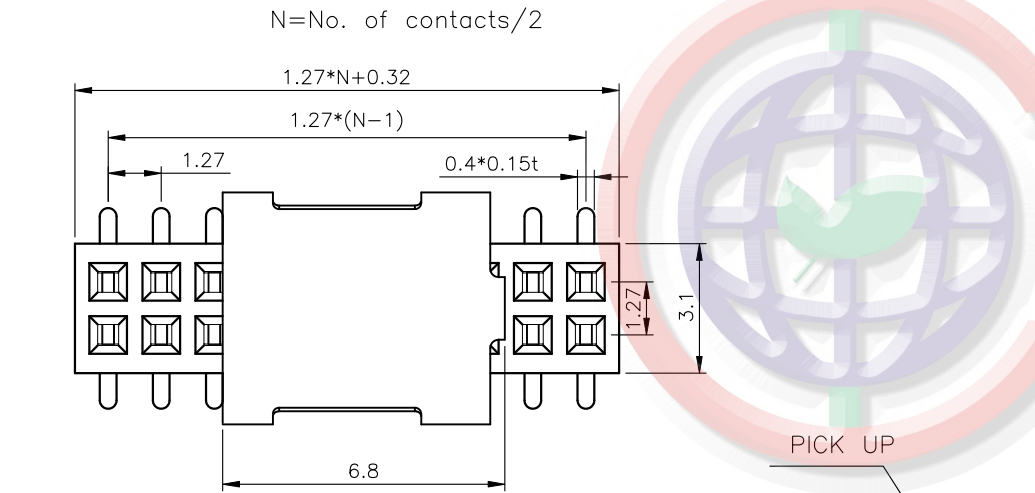
- SPECIFICATIONS
 - Current Rating: 0.5A
 - Insulation Resistance: 500MΩ Min
 - Dielectric Withstanding: 300V AC
 - Contact Resistance: 30mΩ Max
 - Operating Temperature: -40°C to +105°C

2.PART NUMBER: DS1065-05

3.PRODUCT NUMBER CODE:

DS1065-05 - X X X X X X X X

- POST SUPPORT
S:W/ POST
N/A CODE:W/O POST
- PACKING TYPE
R:TAPE ON REEL
B:TUBE
- PICK UP SUPPORT
S:W/ PICK UP
X:W/O PICK UP
- MOUNTING TYPE
S:SMT TYPE
- HOUSING COLOR
B:BLACK
- CONTACT PLATING
8: FULL GOLD FLASH
- CONNECTOR TYPE
S:SOCKET
- No.OF CONTACTS
2*2-2*40



GENERAL TOLERANCE		ANGLE TOLERANCE	
X.	±0.60	X.	±5°
.X	±0.38	.X	±3°
.XX	±0.25	.XX	±2°

PROJECTION	TITLE	FEMALE HEADER PITCH 1.27mm S.M.T TYPE	
UNITS	mm	SHEET SIZE	A4
SHEET SIZE	A4	SERIES	DS1065-05

DRAWING TYPE	CUSTOMER		
SCALE	1:1	SHEET	1 OF 1
DRAWING NO.	C-DS1065-05-XXXXXXX-C		

晨翔电子有限公司
CONNFLY CONNFLY ELECTRONIC CO. LTD

Tel:86-574-63508787
 Fax:86-574-63510817
 Email:sale@connfly.com
 Http://www.connfly.com
 East Industry Zone KuangYan
 Town Cixilingo Shaoxing
 P.C:315333