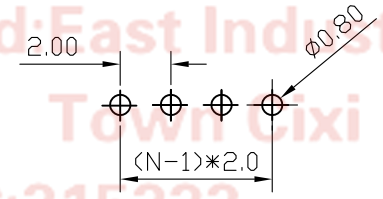
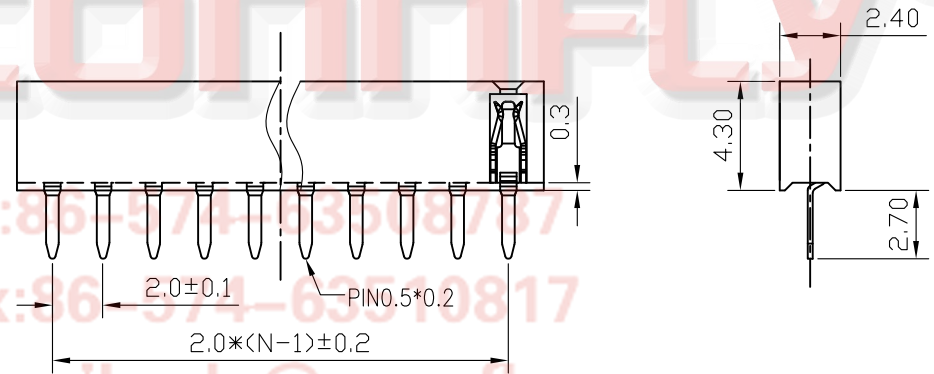
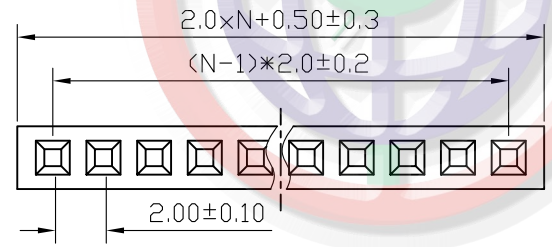


REV.	DESCRIPTION	DRAWN	CHECKED	APPROVED
A	NEW RELEASE	LJH 09/22/05'		LJC 09/22/05'
B	MOLD CHANGE	JLZ 07/25/14'		LJC 07/25/14'
C	MOLD CHANGE	JLZ 08/04/14'		

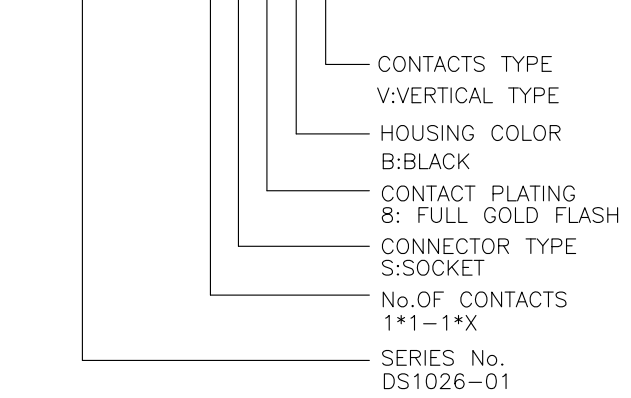
N:NUMBER OF CONTACTS



RECOMMEND PCB LAYOUT  
(TOLERANCE=±0.05)

NOTES:

- ELECTRICAL CHARACTERISTICS:
  - CONTACT RESISTANCE: 20mΩ Max. INITIAL.
  - DIELECTRIC WITHSTANDING VOLTAGE: 500V AC(rms) FOR 1 MINUTE.
  - INSULATION RESISTANCE: 1000MΩ Min.
- ENVIRONMENT CHARACTERISTICS:
  - TEMPERATURE: -40°C~+105°C.
- PART NUMBER: DS1026-01
- PRODUCT NUMBER CODE: DS1026-01 - X X X X X



Tel:86-574-63508767  
 Fax:86-574-63510817  
 E-mail:sale@connfly.com  
 http://www.connfly.com  
 Add:East Industry Zone KuangYan  
 Town Cixi Ningbo China  
 P.C:315333

GENERAL TOLERANCE		ANGLE TOLERANCE	
X.	±0.60	X.	±5'
.X	±0.38	.X	±3'
.XX	±0.25	.XX	±2'
DRAWING TYPE		CUSTOMER	
SCALE		1:1	SHEET 1 OF 1
DRAWING NO.		C-DS1026-01-XXXXX-C	

PROJECTION		TITLE	FEMALE HEADER PITCH 2.0mm TYPE
UNITS	mm	SERIES	DS1026-01 SERIES
SHEET SIZE	A4		

晨翔电子有限公司  
**CONNFLY CONNFLY ELECTRONIC CO. LTD**