

小型功率继电器
Miniature Power Relay
SRD**特点 Features**

- 低线圈功耗。
Low coil power consumption.
- 超小型, 标准印刷板引出脚。
Micro-miniature relay, standard PCB terminals.
- 可提供满足 IEC60335-1 的产品。
IEC60335-1 compliant product is available.
- 可提供满足 IEC60079-15 的产品。
IEC60079-15 compliant product is available.

安规认证 Safety certificate

UL、c-UL 认证号(File No.): E190598
 TUV 认证号(File No.): R50142424
 CQC 认证号(File No.): CQC02001002126、CQC10002050459、
 CQC21002306489
 VDE 认证号(File No.): 40034479

触点参数 Contact Data

型号 Type	SRD
额定负载 (阻性负载) Rated load (Resistive load)	10A 250VAC
最大切换电流 Max. switching current	10A
最大切换电压 Max. switching voltage	250VAC
最大切换功率 Max. switching power	2,500VA
最小切换负载 Min. switching load	6V 1A

性能参数 Characteristics

触点材料 Contact material	银合金 Silver alloy
接触电阻 Contact resistance	100mΩ Max. (at 1A 6VDC)
吸合时间 (额定电压) Operate time (at rated coil voltage)	8ms Max. (不加二极管 No diode)
释放时间 Release time	5ms Max. (不加二极管 No diode)
绝缘电阻 Insulation resistance	Min. 1,000MΩ (at 500VDC)
介质耐压	触点与触点间 Between open contacts: 750VAC, 50/60Hz for 1min.

Dielectric strength	触点与线圈间 Between coil and contact: 1,500VAC, 50/60Hz for 1min.	
抗振动 Vibration resistance	耐久 Destructive	10 ~ 55Hz, 双振幅 1.5 mm 10 ~ 55Hz, at double amplitude of 1.5mm
	误动作 Functional	10 ~ 55Hz, 双振幅 1.5 mm 10 ~ 55Hz, at double amplitude of 1.5mm
抗冲击 Shock resistance	耐久 Destructive	100G Min.
	误动作 Functional	10G Min.
寿命 Endurance	机械寿命(每小时 10,800 次, 室温) Mechanical endurance (10,800ops./h)	10,000,000 次 10,000,000(at room temperature)
	电气寿命(每小时 360 次, 室温) Electrical endurance (360ops./h)	100,000 次 100,000(at room temperature)
环境温度 Ambient temperature	-40°C ~ +85°C (不冷凝 No condensation) 若需要 105°C 产品, 请联系三友 For ambient temperature is 105°C, please contact Sanyou	
重量 Weight	约 8.5g Approx. 8.5g	

线圈参数 Coil Data (at 20°C)

额定电压 (VDC) Nominal voltage (VDC)	额定电流 ±10%(mA) Nominal operating current ± 10%(mA)	线圈电阻 ±10% (Ω) Coil resistance ±10%(Ω)	最大连续外加电压 Max. allowable voltage	吸合电压 (Max.) Operate voltage (Max.)	释放电压 (Min.) Release voltage (Min.)	额定功率 Nominal operating power
3	120.00	25	额定电压的 130% 130% of nominal voltage	额定电压的 75% 75% of nominal voltage	额定电压的 10% 10% of nominal voltage	0.36W
5	71.42	70				
6	60.00	100				
9	40.00	225				
12	30.00	400				
15	24.00	625				
18	20.00	900				
24	15.00	1,600				
48	7.50	6,400				
60	6.00	10,000				

上述值为初始值, 请勿在产品上连续施加最大电压 > 10min, 以免线圈过度发热。

The data shown above are initial values. Do not apply maximum allowable voltage on coil for more than 10 minutes to avoid overheating of the coil.

安规认证负载 (注: 更多详细的认证负载, 参考安规证书)

Safety Certificate Ratings (Note: More details of approved ratings, please refer to the safety certificates)

认证类型 Certificates	CQC	TUV	VDE	UL/CUL
认证号码 File No.	CQC02001002126 CQC10002050459 CQC21002306489	R50142424	40034479	E190598
认证负载 Approved Ratings	10A 250VAC 7A 250VAC 5A 240VAC	10A 250VAC 7A 250VAC 7A 28VDC	10A 250 VAC 7A 250 VAC	15A 125VAC, Resistive 10A 250VAC, Resistive 7A 250VAC, General use 1/3 HP 250VAC, FLA 5A, LRA 10A, 120/240VAC TV-5, 120VAC.

- 上述未注明温度的负载，均指环境温度为室温。
All values unspecified are at room temperature.
- 以上仅列出了该产品认证的部分负载，每个负载的详细测试条件不同，因此电寿命次数不一样。如需了解详细情况，请联系三友。
Only typical ratings are listed above and the endurance differ in each load. Other specific load information are available upon request.
- 对于塑封式、防水式产品试验时，应打开外壳的透气孔。
For sealed type testing, please open the ventilation hole in the case before test.

订货标记 Ordering Information

型号命名规则 Nomenclature

SRD -S -1 12 D M 6 -F -XX

特殊参数 Special Parameter:

无-标准型, 字母或数字-特殊要求

Nil-Standard type Letter or number-Special requirement

绝缘等级 Insulation System:

无-普通型 Ni-Standard, B - Class B, F - Class F

触点材质 Contact Material:

Nil & 2-AgSnO₂

4 - 三复合 (3 Compounds) AgSnO₂ (Form C)

5 - 铜镀镧 Cu plated with La

6 - AgNi

7 - AgNi & AgSnO₂

8- 三复合 (3 Compounds) AgNi (Form C)

触点形式 Contact Arrangement: Nil-Form C, B-Form B, M-Form A

线圈功耗 Coil Power: D-0.36W

线圈电压 Rated Coil Voltage(VDC):

03, 05, 06, 09, 12, 15, 18, 24, 48, 60

触点组数 Number of Poles: 1-1Pole

封装形式 Protective Construction

S-塑封式 Flux-proof

SH-防水式 Sealed type washable

基本型号 Type: SRD

- 塑封式不能在污染环境 (含有 H₂S、SO₂、NO₂、粉尘等污染物) 中使用。
Flux-proof relays can not be used in the environment with pollutants like H₂S, SO₂, NO₂, dust, etc.
- 塑封式装入 PCB 焊接后, 不能进行整体清洗或表面处理。
Water cleaning or surface process is not suggested after the flux-proof relays are assembled on PCB.

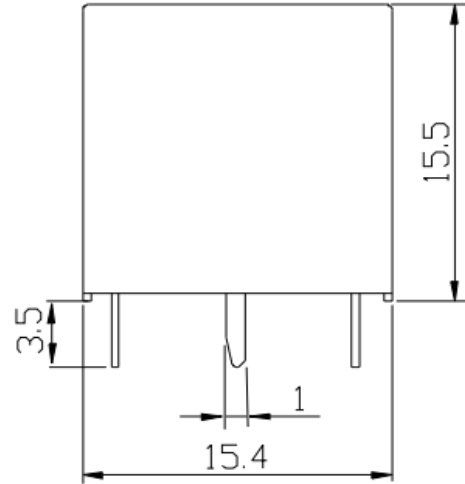
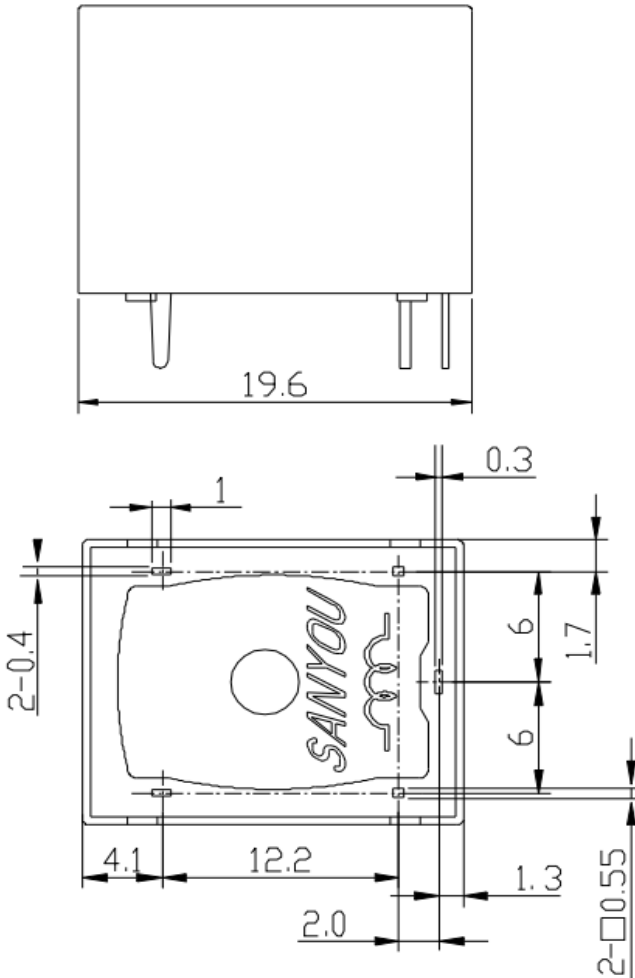
(3) 客户特殊要求 (XX) , 由我司评估后, 按特性符号标识。

Customized special suffix is available after being evaluated by Sanyou.

(4) 外壳印字需要印 VDE 安规的, 只有 "D" "D2" "D3" "D6" "DM" "DM6" 这六种规格产品。

The "VDE" printing on the cover are only available for products with the suffixes of "D" "D2" "D3" "D6" "DM" "DM6" .

外形尺寸图、接线图、安装孔位图 (单位: mm)
Outline dimension, wiring diagram, PCB layout (Unit: mm)



未标注尺寸公差

In case of no tolerance shown on outline dimension

If dimension < 1 mm, tolerance: $\pm 0.2\text{mm}$

If dimension 1~5mm, tolerance: $\pm 0.3\text{mm}$

If dimension > 5mm, tolerance: $\pm 0.4\text{mm}$

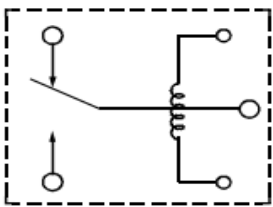
注 Note:

1.引出脚尺寸为预焊前尺寸

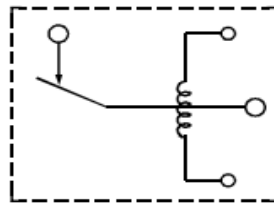
The dimension of pin is the size before tinning

2.安装孔尺寸公差: $\pm 0.1\text{mm}$

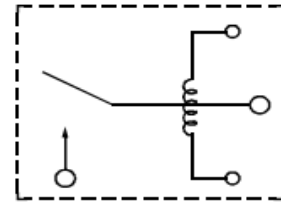
Tolerance of PCB layout: $\pm 0.1\text{ mm}$.



1c



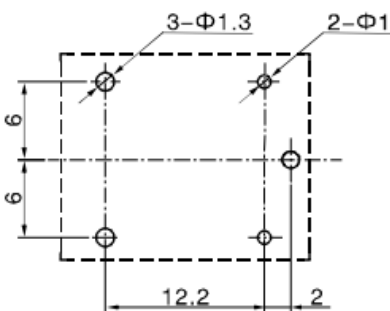
1b



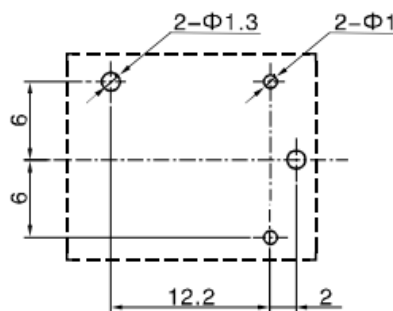
1a

接线图 (底视图)

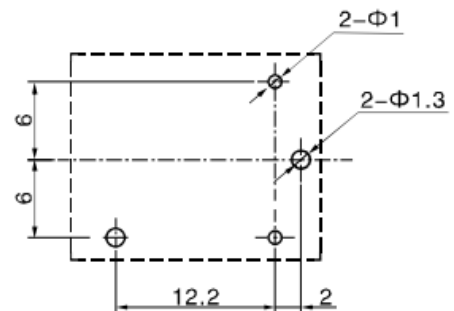
Wiring Diagram (bottom view)



1c



1b



1a

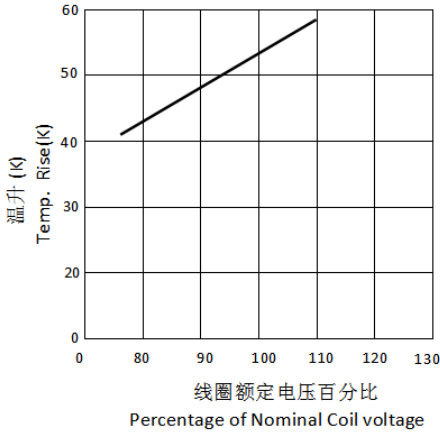
安装孔位图 (底视图)
PCB Layout (bottom view)

典型用途 Typical Applications

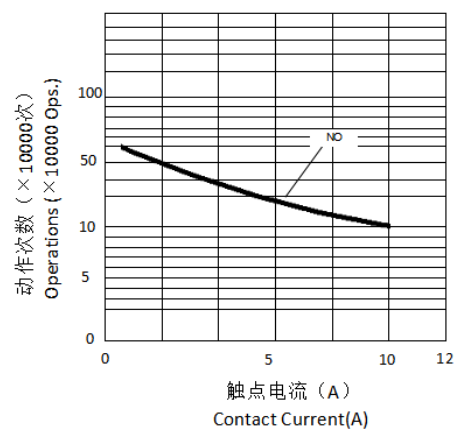
- 家用电器：空调、电热器等 Home appliances: air conditioner, heater, etc.
- 自动售货机 Vending machine.
- 办公室设备：电脑、传真机等 Office equipment: computer, fax machine, etc.
- 自动电控窗、汽车天线、门锁等 Electric controlled window, car antenna, door lock, etc.

性能曲线图 Characteristic Curves

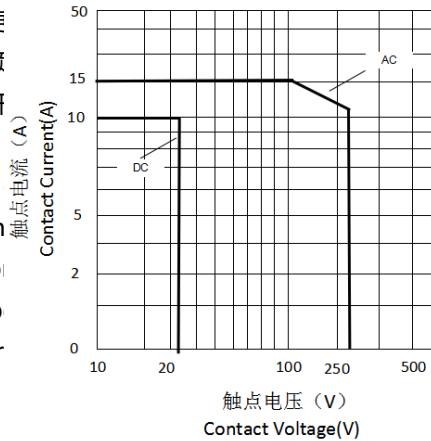
线圈温升
Coil Temp. Rise



寿命曲线
Endurance Curve



最大切换功率 (W)
Max. Switching Power(W)



声明：本产品规格书仅供客户使用时参考，若有更对三友而言，不可能评定继电器在每个具体应用领域。对于密封继电器在安装清洗后，使用前请打开仅由客户负责。

Disclaimer: The specification is for reference We could not evaluate all the performance an a right position to choose suitable product fo please open the ventilation hole in the case b However it is the user's responsibility to deter

具体的使用条件选择与之相匹配的产 系获取更多的技术支持。但产品选型责任 ge without prior notice. applications. Thus the users should in s, after installation and cleaning, oncontact Sanyou for technical services.