

Customer Information Sheet

DRAWING No.: M50-360XX42R

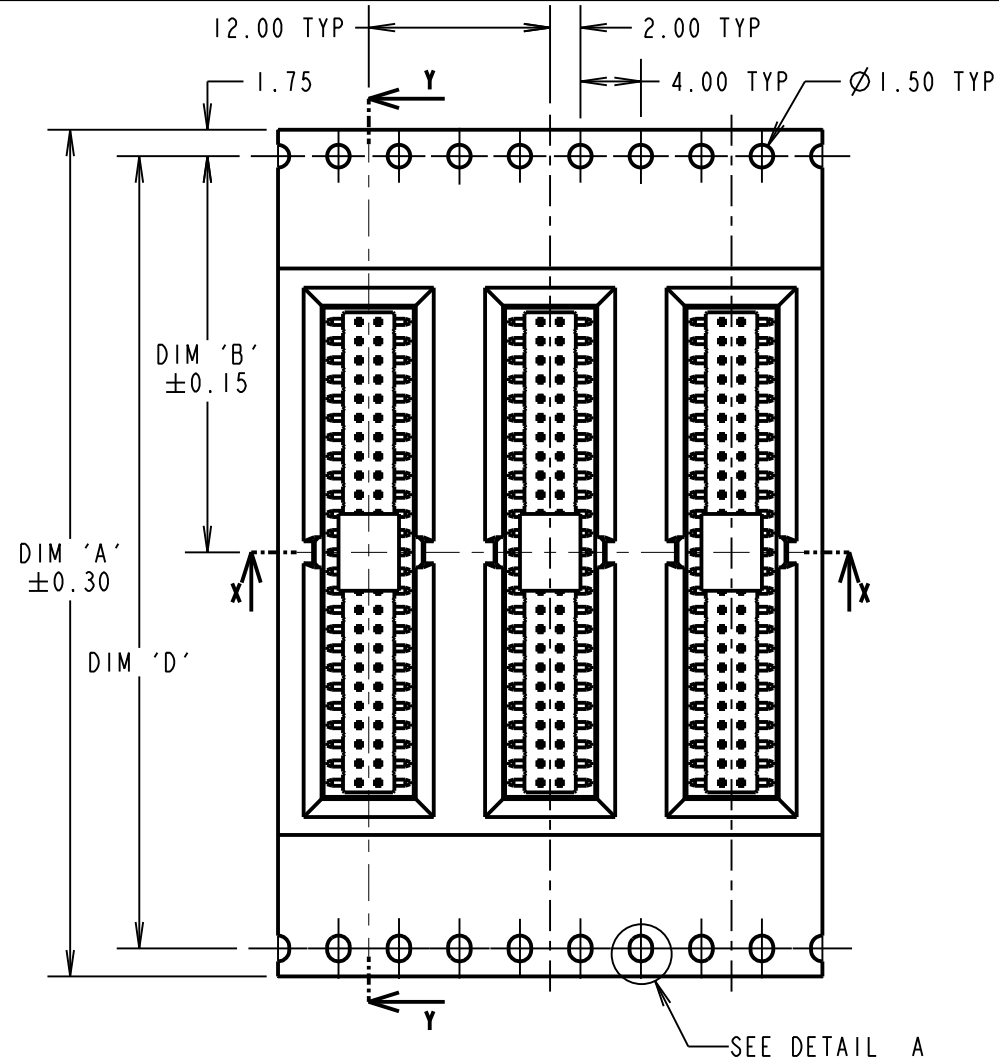
IF IN DOUBT - ASK

©

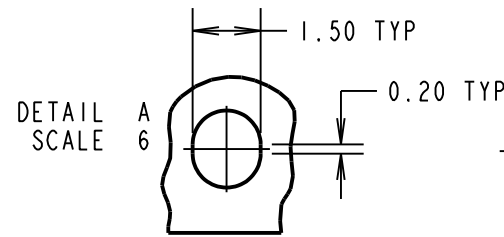
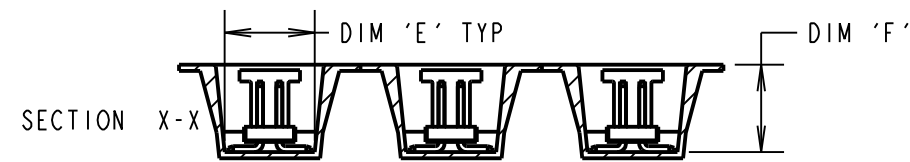
NOT TO SCALE

THIRD ANGLE PROJECTION

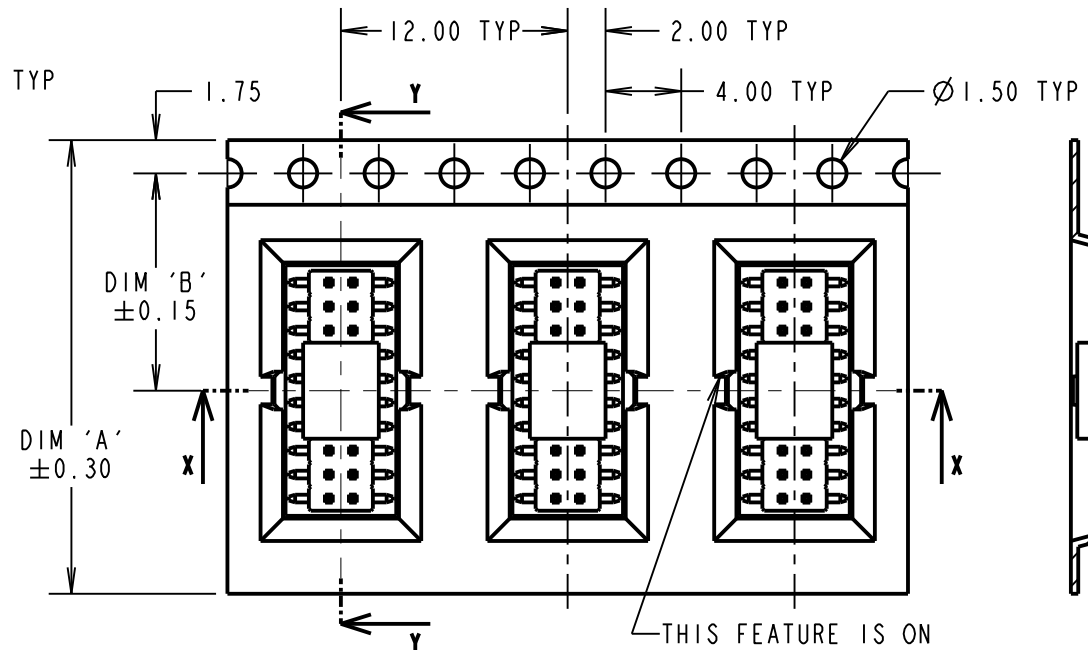
ALL DIMENSIONS IN mm



TAPE DETAILS FOR 20 & 25 WAYS



DETAIL SCALE A 6



TAPE DETAILS FOR 02, 03, 04, 05, 06, 08 & 10 WAYS

THIS FEATURE IS ON 02 & 10 WAYS ONLY

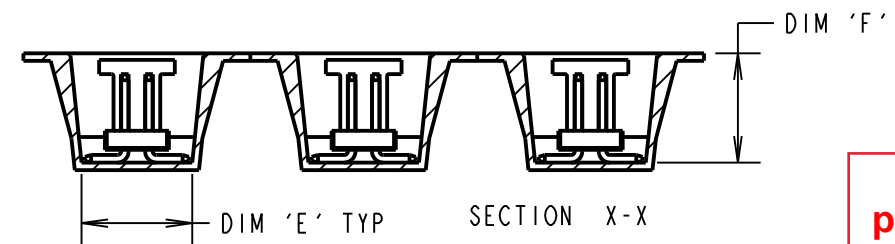
OBSOLETE
All other size/finish combinations not listed below

ORDER CODE:

M50-360XX42R

No. OF CONTACTS PER ROW:
02, 03, 04, 05, 06, 08, 10, 20, 25

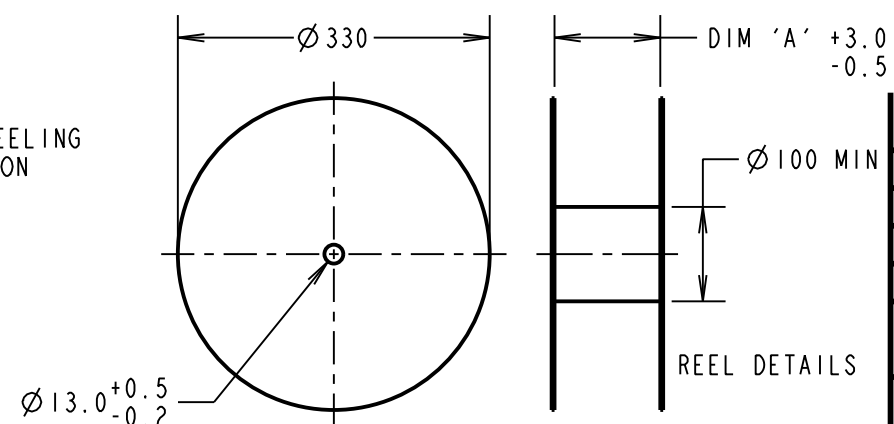
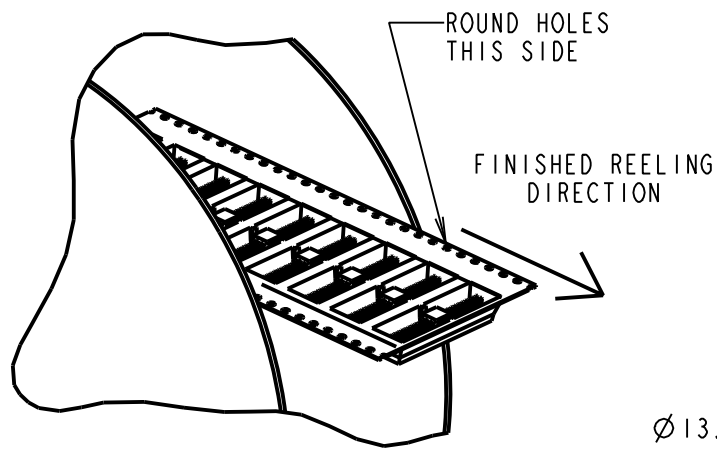
FINISH:
42 = SELECTIVE GOLD & 100% TIN OVER NICKEL



Active products:

- M50-3600242R
- M50-3600342R
- M50-3600542R
- M50-3600642R
- M50-3600842R
- M50-3601042R
- M50-3602542R

REELED PART No.	DIM 'A'	DIM 'B'	DIM 'C'	DIM 'D'	DIM 'E'	DIM 'F'	REEL QTY
M50-3600242R	16.00	7.50	3.60	N/A	5.85	5.78	750
M50-3600342R			4.00		5.78		
M50-3600442R			5.40		5.78		
M50-3600542R	24.00	11.50	6.65	N/A	5.90	6.15	800
M50-3600642R			7.90		5.85		
M50-3600842R			10.79		6.00		
M50-3601042R			13.00		5.85		
M50-3602042R			20.20		5.95		
M50-3602542R	56.00	26.20	32.10	52.40	5.95	5.78	750



MGP	14	12.05.20	22347
NAME	ISS.	DATE	C/NOTE
APPROVED: MGP			
CHECKED: RA			
DRAWN: R.ADDE			
CUSTOMER REF.:			
ASSEMBLY DRG:			

- NOTES:
- CUMULATIVE TOLERANCES OVER 10 PITCHES = ±0.20mm
 - TAPE & REELING TO BE IN ACCORDANCE WITH EIA-481 (ELECTRONIC INDUSTRIES ASSOCIATION).
 - FOR CONNECTOR DETAILS SEE SHEET 4.

HARWIN
www.harwin.com
technical@harwin.com

THIS DRAWING AND ANY INFORMATION OR DESCRIPTIVE MATTER SET OUT HEREON ARE CONFIDENTIAL AND COPYRIGHT PROPERTY OF THE HARWIN GROUP AND MUST NOT BE DISCLOSED, LOANED, COPIED OR USED FOR MANUFACTURING, TENDERING OR FOR ANY OTHER PURPOSE WITHOUT THEIR WRITTEN PERMISSION.

TOLERANCES
X. = ±1mm
X.X = ±0.50mm
X.XX = ±0.20mm
X.XXX = ±0.01mm
ANGLES = ±5°
UNLESS STATED

MATERIAL:
SEE ABOVE
FINISH: SEE ABOVE
S/AREA: mm²

TITLE: 1.27mm PITCH DIL SMT VERT
LOW PROFILE SOCKET ASSY
(TAPE & REEL)

DRAWING NUMBER:
M50-360XX42R

SHT
3
OF
4

Customer Information Sheet

DRAWING No.: M50-360XX42R

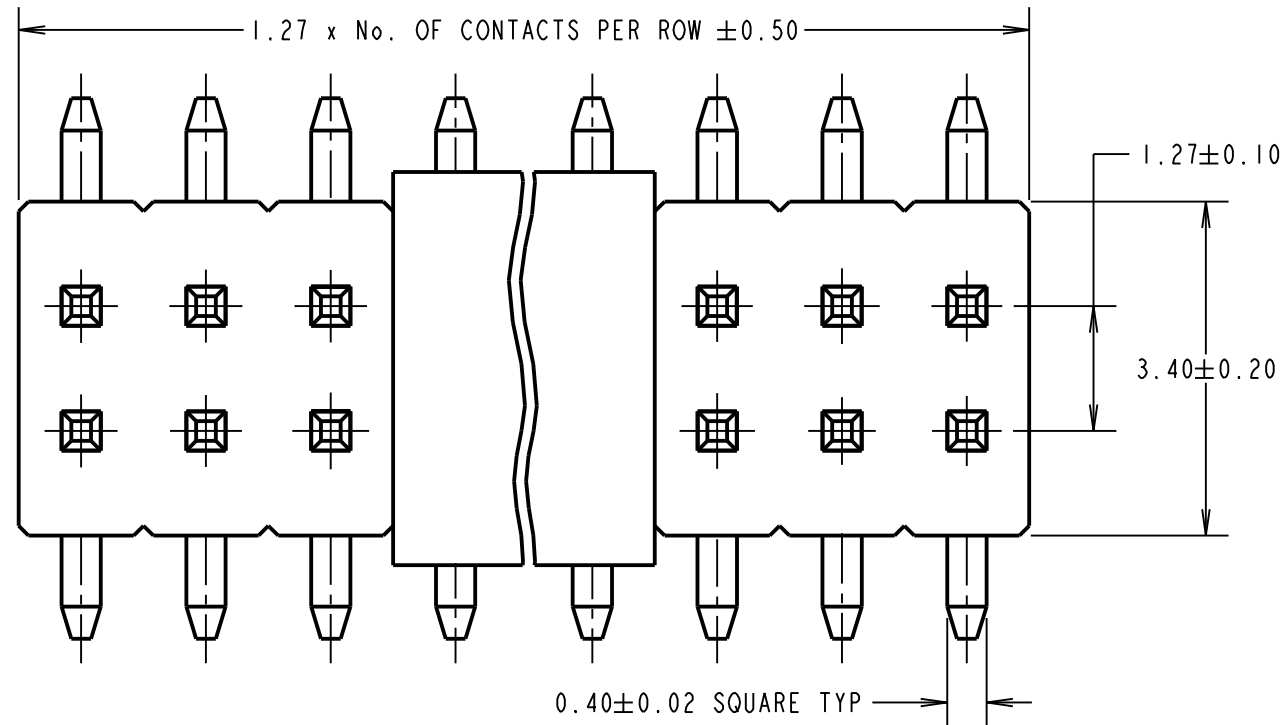
IF IN DOUBT - ASK

©

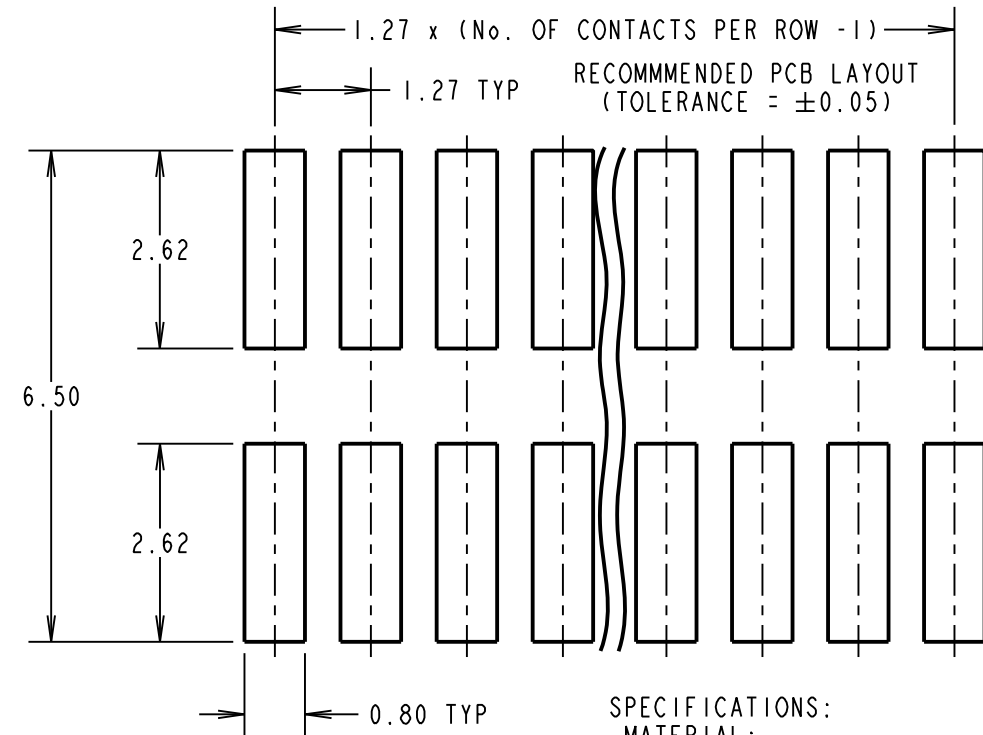
NOT TO SCALE

THIRD ANGLE PROJECTION

ALL DIMENSIONS IN mm



Active products:
 M50-3600242R
 M50-3600342R
 M50-3600542R
 M50-3600642R
 M50-3600842R
 M50-3601042R
 M50-3602542R



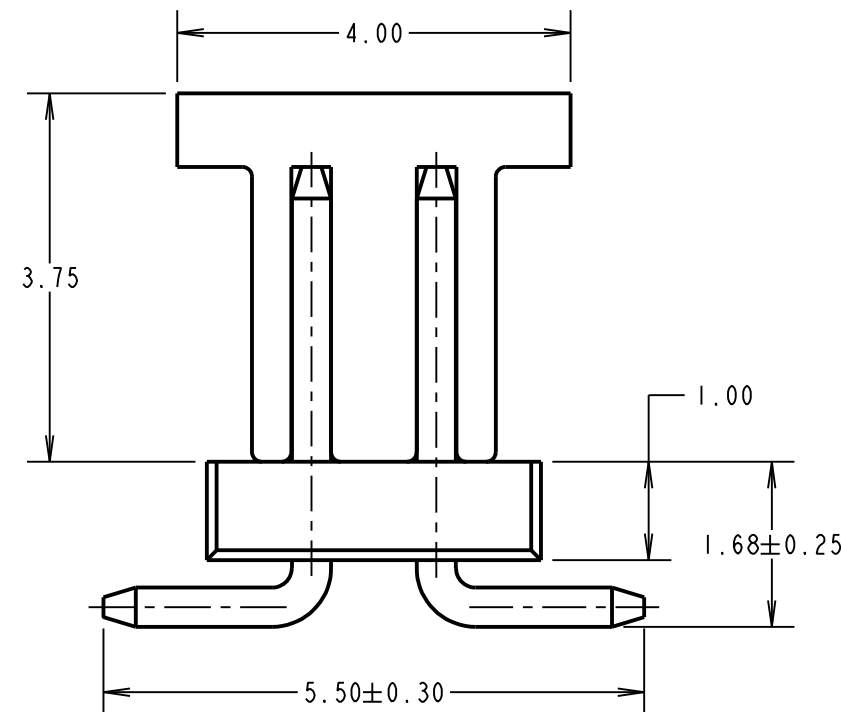
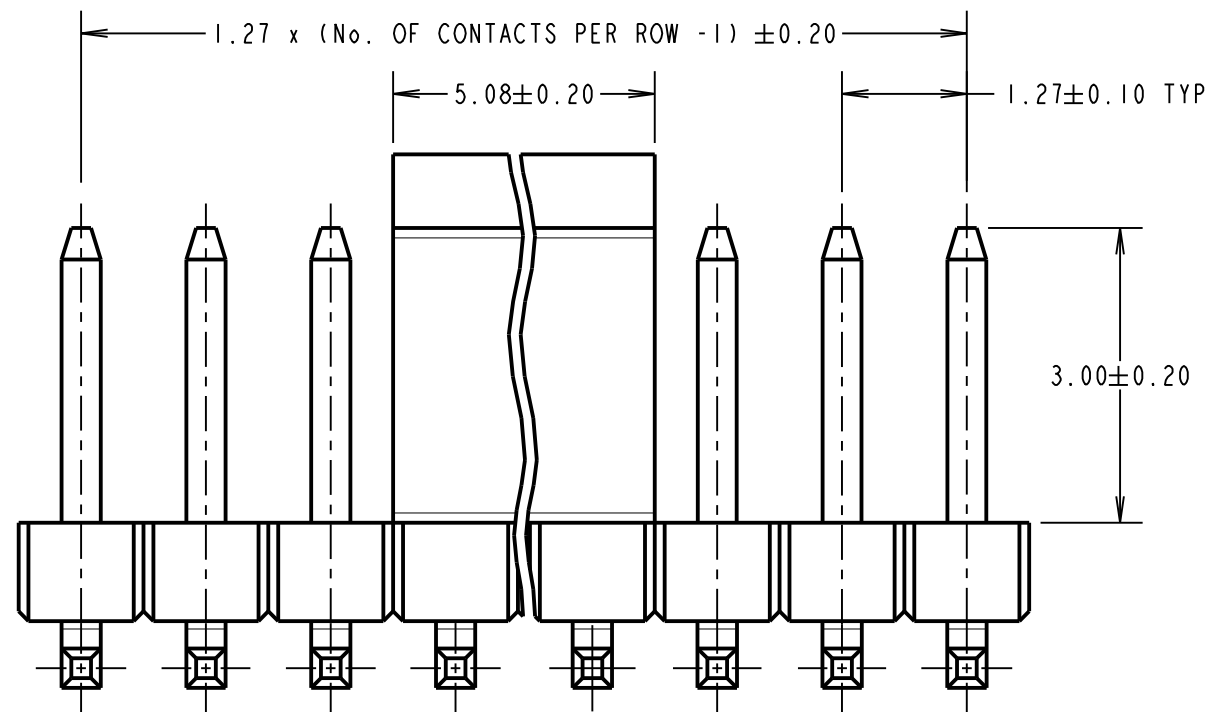
SPECIFICATIONS:

MATERIAL:
 MOULDING = HIGH TEMP THERMOPLASTIC, UL94V-0, BLACK
 CONTACTS = COPPER ALLOY
FINISH:
 CONTACTS = 0.70 TO 1.30 μ NICKEL ALL OVER, 0.08 TO 0.15 μ GOLD ON CONTACT AREA, 2.50 TO 3.00 μ 100% TIN ON TAILS

ELECTRICAL:
 CURRENT RATING = 1A
 CONTACT RESISTANCE = 20m Ω MAX
 INSULATION RESISTANCE = 1000M Ω MIN
 DIELECTRIC WITHSTANDING = 500V AC FOR ONE MINUTE

MECHANICAL:
 DURABILITY = 300 CYCLES MIN
ENVIRONMENTAL:
 TEMPERATURE RANGE = -40 $^{\circ}$ C TO +105 $^{\circ}$ C

PACKING:
 BOX
 FOR COMPLETE SPECIFICATION, SEE COMPONENT SPECIFICATION C029XX (LATEST ISSUE)



OBSOLETE

All other size/finish combinations not listed above

ORDER CODE:

M50-360XX42R

No. OF CONTACTS PER ROW: _____
 02, 03, 04, 05, 06, 08, 10, 20, 25

FINISH: _____
 42 = SELECTIVE GOLD & 100% TIN OVER NICKEL

NOTES:

- CO-PLANARITY OF TAILS FOR 02 TO 30 CONTACTS PER ROW = 0.15mm, 31 TO 50 CONTACTS PER ROW = 0.20mm.
- ALL TOLERANCES ARE ± 0.15 , UNLESS OTHERWISE STATED.
- FOR TAPE AND REEL DETAILS, SEE SHEET 3.

HARWIN

www.harwin.com
 technical@harwin.com

THIS DRAWING AND ANY INFORMATION OR DESCRIPTIVE MATTER SET OUT HEREON ARE CONFIDENTIAL AND COPYRIGHT PROPERTY OF THE HARWIN GROUP AND MUST NOT BE DISCLOSED, LOANED, COPIED OR USED FOR MANUFACTURING, TENDERING OR FOR ANY OTHER PURPOSE WITHOUT THEIR WRITTEN PERMISSION.

TOLERANCES
 X = ± 1 mm
 X.X = ± 0.50 mm
 X.XX = ± 0.20 mm
 X.XXX = ± 0.01 mm
 ANGLES = $\pm 5^{\circ}$
 UNLESS STATED

MATERIAL:
 SEE ABOVE
FINISH: SEE ABOVE
S/AREA: mm²

TITLE: 1.27mm PITCH DIL SMT VERT LOW PROFILE SOCKET ASSY (TAPE & REEL)

DRAWING NUMBER:
M50-360XX42R

SHT
 4 OF 4

MGP	14	12.05.20	22347
NAME	ISS.	DATE	C/NOTE
APPROVED: MGP			
CHECKED: RA			
DRAWN: R.ADDE			
CUSTOMER REF.:			
ASSEMBLY DRG:			