

# Customer Information Sheet

DRAWING No.: M22-713XXXX

SHEET 3 OF 3

IF IN DOUBT - ASK

©

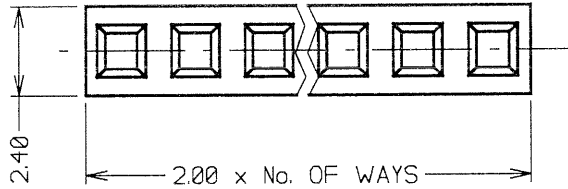
NOT TO SCALE

THIRD ANGLE PROJECTION

ALL DIMENSIONS IN mm

**NOTES:**

1. RECOMMENDED PCB HOLE SIZE =  $\varnothing 0.80\text{mm}$ .



ORDER CODE:  
**M22-713XXXX**

No. OF WAYS \_\_\_\_\_  
 03 TO 32

FINISH: \_\_\_\_\_  
 42 = SELECTIVE GOLD +  
 100% TIN (MATT FINISH)

**SPECIFICATION:**

**MATERIAL:**  
 MOULDING - NYLON 6T UL94V-0, BLACK  
 CONTACTS - PHOSPHOR BRONZE  
**FINISH:** (OVER NICKEL)  
 42 = GOLD ON CONTACT AREA,  
 100% TIN (MATT FINISH) ON TAILS

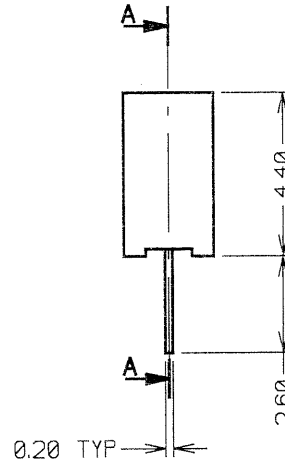
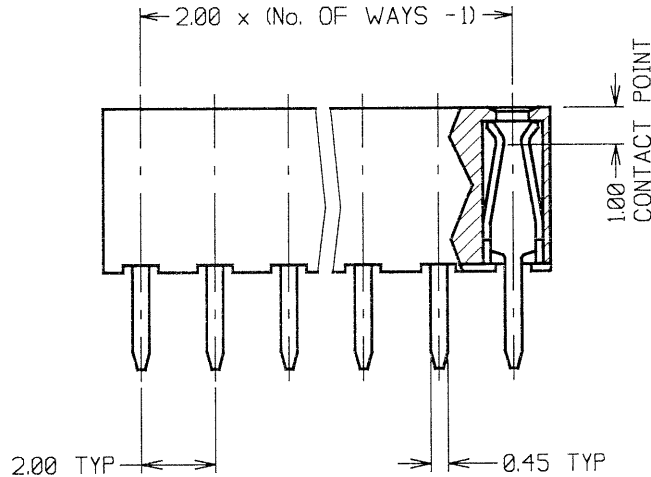
**MECHANICAL:**  
 INSERTION FORCE - 2N MAX  
 WITHDRAWAL FORCE - 0.2N MIN  
 DURABILITY - 1000 OPERATIONS

**ELECTRICAL:**  
 CURRENT RATING - 1A AC/DC  
 VOLTAGE PROOF - 500V AC MIN  
 CONTACT RESISTANCE - 20 MILLIOHMS MAX  
 INSULATION RESISTANCE - 1000 MEGOHMS MIN  
 DIELECTRIC WITHSTANDING - 500V AC FOR 1 MIN

**ENVIRONMENTAL:**  
 TEMPERATURE RANGE - -40° TO +105°

**PACKING:**  
 TUBE

FOR COMPLETE SPECIFICATION SEE COMPONENT SPECIFICATION C018XX (LATEST ISSUE)



JMB	4	04.01.06	8948
NAME	ISS.	DATE	C/NOTE
APPROVED: <i>[Signature]</i>			
CHECKED: <i>[Signature]</i>			
DRAWN:		J. EVANS	
CUSTOMER REF.:			
ASSEMBLY DRG:			

## HARWIN

HARWIN USA  
 TEL: 603 893 5376  
 FAX: 603 893 5396  
 mis@harwin.com

HARWIN Europe (UK)  
 TEL: 023 9231 4545  
 FAX: 023 9231 4590  
 mis@harwin.co.uk

HARWIN Asia  
 TEL: +65 6 779 4909  
 FAX: +65 6 779 3868  
 mis@harwin.com.sg

THIS DRAWING AND ANY INFORMATION OR DESCRIPTIVE MATTER SET OUT HEREON ARE CONFIDENTIAL AND COPYRIGHT PROPERTY OF THE HARWIN GROUP AND MUST NOT BE DISCLOSED, LOANED, COPIED OR USED FOR MANUFACTURING, TENDERING OR FOR ANY OTHER PURPOSE WITHOUT THEIR WRITTEN PERMISSION.

**TOLERANCES**  
 X. =  $\pm 0.1\text{mm}$   
 X.X =  $\pm 0.25\text{mm}$   
 X.XX =  $\pm 0.10\text{mm}$   
 X.XXX =  $\pm 0.1\text{mm}$   
 ANGLES =  $\pm 5^\circ$   
 UNLESS STATED

**MATERIAL:**  
 SEE ABOVE

**FINISH:**  
 SEE ABOVE

**S/AREA:** mm<sup>2</sup>

**TITLE:**  
 2.00mm PITCH SIL  
 VERTICAL SOCKET ASSEMBLY

**DRAWING NUMBER:**  
**M22-713XXXX**

SHT 3 OF 3