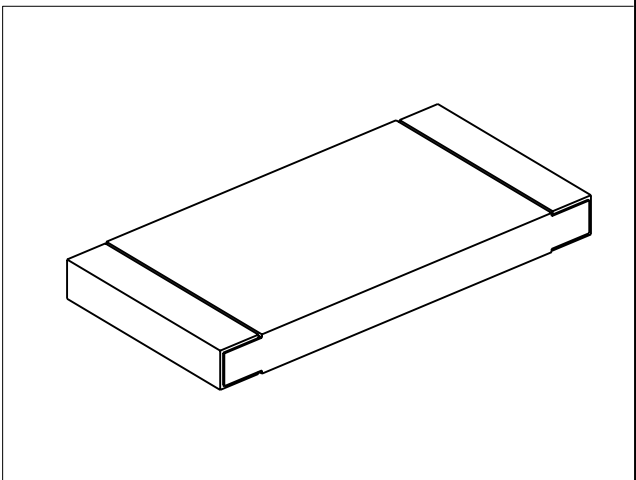


| LOC | DIST | REVISIONS   |                           |           |           |
|-----|------|-------------|---------------------------|-----------|-----------|
| P   | LTR  | DESCRIPTION | DATE                      | DWN       | APVD      |
| E   | B    | BA1         | REVISED PER ECO-11-005150 | 28MAR2011 | RK<br>HMR |
|     |      |             |                           |           |           |
|     |      |             |                           |           |           |



FOR FURTHER INFORMATION SEE DATA SHEET FOR  
3520 SERIES-SMD POWER RESISTORS

RoHS Compliant



2008

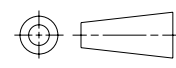
RELEASED FOR PUBLICATION

ALL RIGHTS RESERVED.

THIS DRAWING IS UNPUBLISHED.

BY -

© COPYRIGHT 2008

|   |                   |           |  |           |            |               |
|---|-------------------|-----------|--|-----------|------------|---------------|
| DIMENSIONS:<br>mm   | DWN<br>SUBHASH.M  | 01-DEC-08 | MATERIAL   | -         | FINISH     | -             |
|   | CHK<br>PRAKASH.S  | 01-DEC-08 |  TE Connectivity |           |            |               |
| TOLERANCES UNLESS OTHERWISE SPECIFIED:  | APVD<br>STEPHEN.P | 01-DEC-08 |  |           |            |               |
| 0 PLC ±0.2  | PRODUCT SPEC      | -         | NAME<br>SMD POWER RESISTOR<br>SERIES 3520  |           |            |               |
| 1 PLC ±0.1  | APPLICATION SPEC  | -         |  |           |            |               |
| 2 PLC ±   | WEIGHT            | -         | SIZE   | CAGE CODE | DRAWING NO | RESTRICTED TO |
| 3 PLC ±   |                   |           | A 4  | 00779     | ©-1622820  | -             |
| 4 PLC ±   |                   |           | CUSTOMER DRAWING   |           |            |               |
| ANGLES ±5°  |                   |           | SCALE  | 10:1      | SHEET      | 1 OF 1        |
|  |                   |           | REV BA1  |           |            |               |