

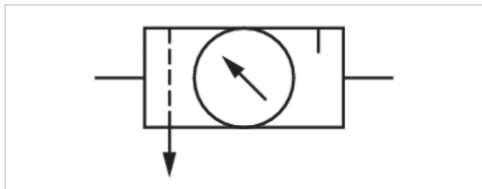
Air preparation unit, 2-part, Series 652

- G 1/4 G 3/8 G 1/2
- filter porosity 25 µm
- With integrated pressure gauge



Type	2-part, Can be assembled into blocks
Parts	Filter pressure regulator, Lubricator
Working pressure min./max.	0 ... 10 bar
Ambient temperature min./max.	5 ... 50 °C
Medium temperature min./max.	5 ... 50 °C
Adjustment range min./max.	0,5 ... 10 bar
Condensate drain	semi-automatic, open without pressure

The delivered product varies from that in the illustration. See the drawing for an exact description.



Technical data

Part No.	Port	filter porosity	Condensate drain
A652A0000000001	G 1/4	25 µm	semi-automatic, open without pressure
A652A0000000002	G 3/8	25 µm	semi-automatic, open without pressure
A652A0000000003	G 1/2	25 µm	semi-automatic, open without pressure

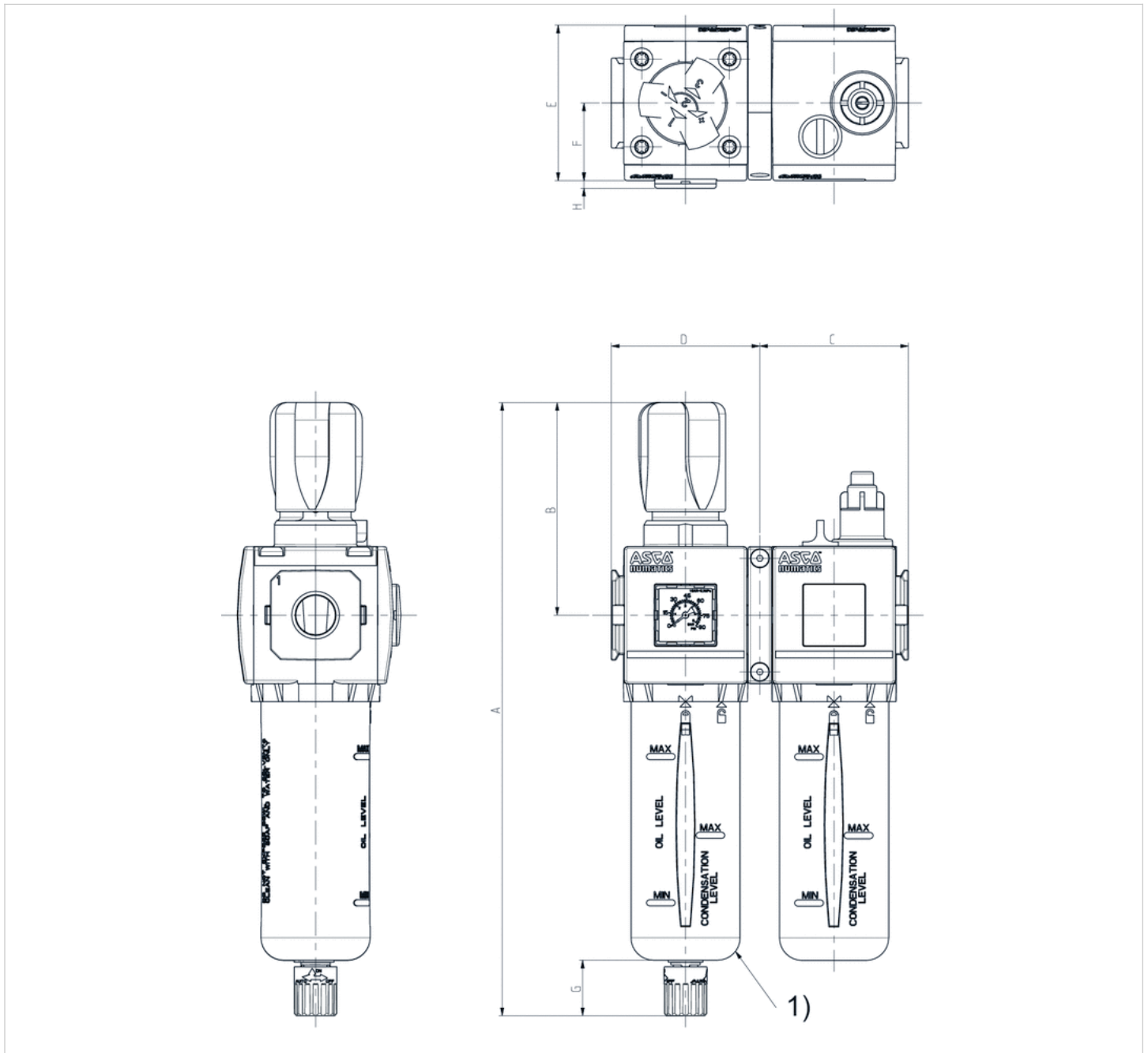
Part No.	Pressure gauge
A652A0000000001	With integrated pressure gauge
A652A0000000002	With integrated pressure gauge
A652A0000000003	With integrated pressure gauge

Technical information

Material	
Housing	Aluminum
Seals	Nitrile butadiene rubber
Reservoir	Polycarbonate
Condensate drain	Plastic

Dimensions

Dimensions



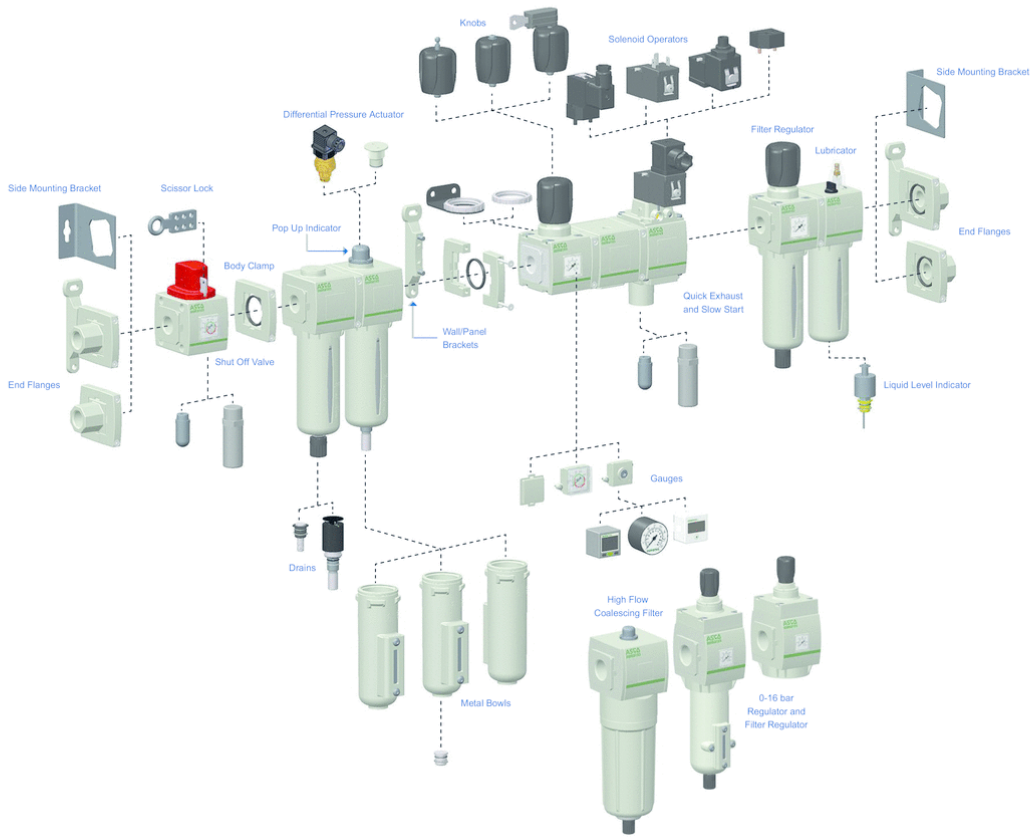
1) To remove the reservoir, allow a clearance of 80 mm from the bottom of the reservoir drain.

Dimensions

Series	A	B	C	D	E	F	G	H
652	273	94,5	66	66	69	34,5	25	3,4

Accessories overview

Accessories overview



Efficient pneumatic solutions, our program: cylinders and drives, valves and valve systems, air supply management



Visit us: [Emerson.com/Aventics](https://www.emerson.com/Aventics)

Your local contact: [Emerson.com/contactus](https://www.emerson.com/contactus)



[Emerson.com](https://www.emerson.com)



[Facebook.com/EmersonAutomationSolutions](https://www.facebook.com/EmersonAutomationSolutions)



[LinkedIn.com/company/Emerson-Automation-Solutions](https://www.linkedin.com/company/Emerson-Automation-Solutions)



[Twitter.com/EMR_Automation](https://twitter.com/EMR_Automation)

An example configuration is depicted on the title page. The delivered product may thus vary from that in the illustration. Subject to change. This Document, as well as the data, specifications and other information set forth in it, are the exclusive property of AVENTICS GmbH. It may not be reproduced or given to third parties without its consent. Only use the AVENTICS products shown in industrial applications. Read the product documentation completely and carefully before using the product. Observe the applicable regulations and laws of the respective country. When integrating the product into applications, note the system manufacturer's specifications for safe use of the product. The data specified only serve to describe the product. No statements concerning a certain condition or suitability for a certain application can be derived from our information. The information given does not release the user from the obligation of own judgement and verification. It must be remembered that the products are subject to a natural process of wear and aging.

The Emerson logo is a trademark and service mark of Emerson Electric Co. Brand logotype are registered trademarks of one of the Emerson family of companies. All other marks are the property of their respective owners. © 2020 Emerson Electric Co. All rights reserved.
2020-12



CONSIDER IT SOLVED™