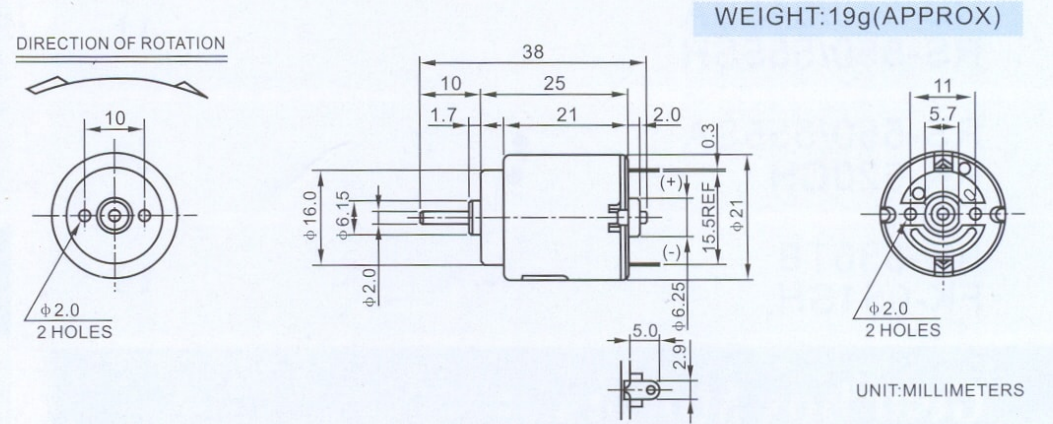


## RE-140RA

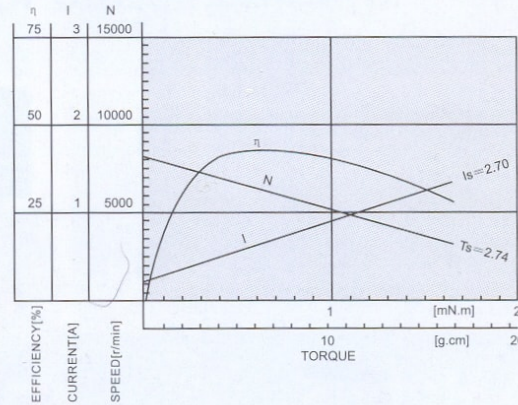
OUTPUT: 0.2W-3.0W(APPROX)

Typical Applications:

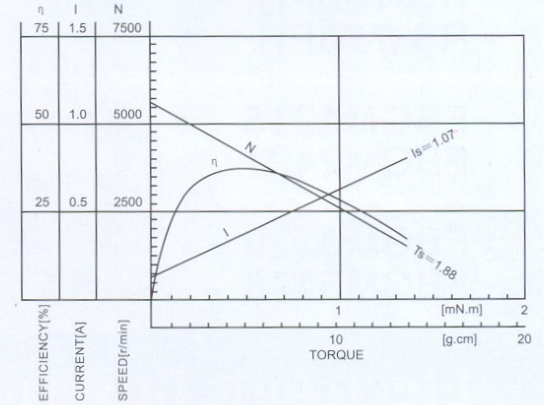
**Toys and Models** > Motorized Toy / Motorized Plastic Model



RE-140RA-2270 1.5V



RE-140RA-18100 1.5V



By clicking the "MODEL"/, You can display the Performance Chart Simulation

| MODEL    | VOLTAGE         |           | NO LOAD     |           | AT MAXIMUM EFFICIENCY |           |             |             |          | STALL       |             |           |      |
|----------|-----------------|-----------|-------------|-----------|-----------------------|-----------|-------------|-------------|----------|-------------|-------------|-----------|------|
|          | OPERATING RANGE | NOMINAL V | SPEED r/min | CURRENT A | SPEED r/min           | CURRENT A | TORQUE mN.m | TORQUE g.cm | OUTPUT W | TORQUE mN.m | TORQUE g.cm | CURRENT A |      |
| RE-140RA | 2270            | 1.5~3.0   | 1.5         | 8100      | 0.21                  | 6150      | 0.66        | 0.66        | 6.7      | 0.42        | 2.74        | 28        | 2.1  |
|          | 18100           | 1.5~3.0   | 1.5         | 5700      | 0.13                  | 4230      | 0.37        | 0.48        | 4.9      | 0.21        | 1.86        | 19        | 1.07 |
|          | 12240           | 3.0~6.0   | 3           | 4800      | 0.05                  | 3530      | 0.14        | 0.44        | 4.5      | 0.16        | 1.67        | 17        | 0.39 |