

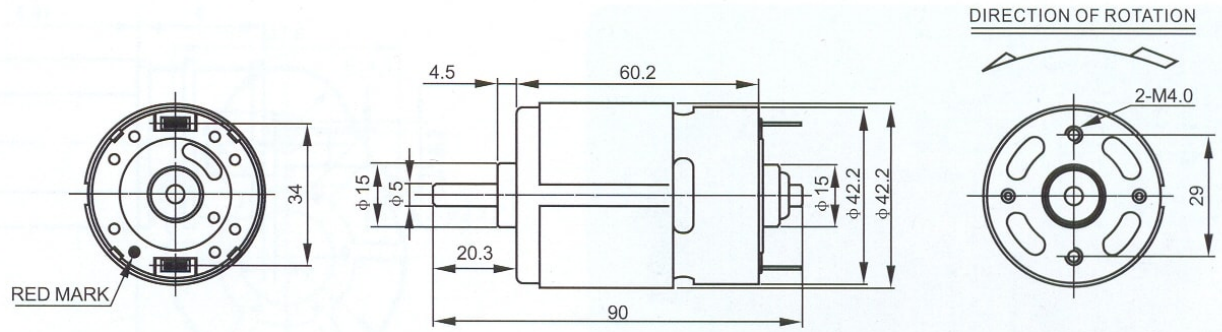
RS-755PH

OUTPUT: APPROX 8.0W-160W

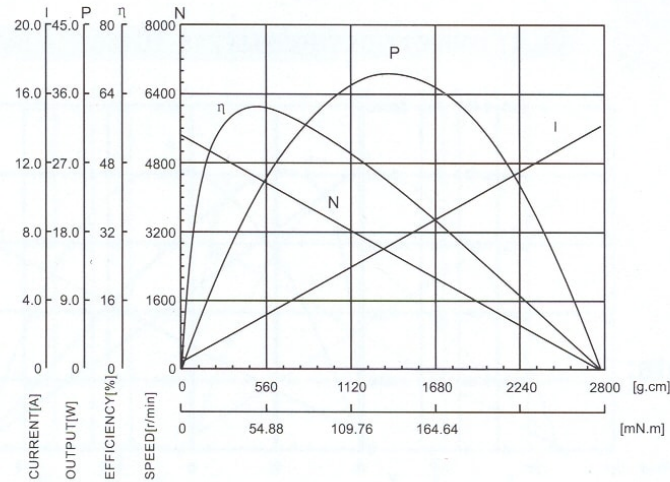
Carbon-brush Motors

Typical Applications / Cordless Power Tools:

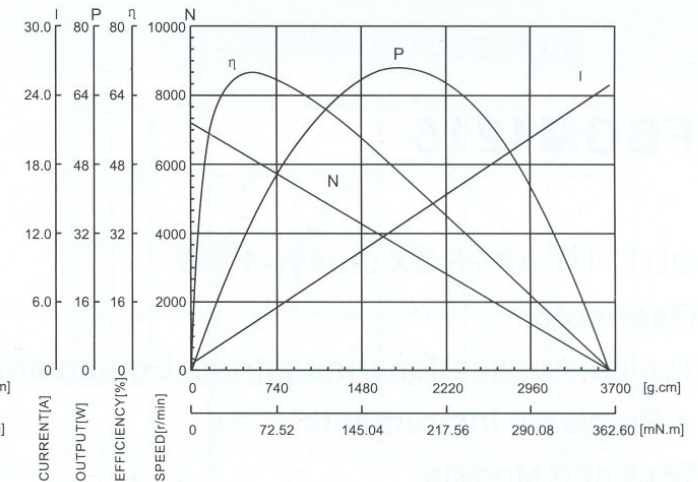
- Drill
- Cordless Garden Tool
- Circular Saw



RS-755PH-4044 12.0V



RS-755PH-5033 12.0V



MODEL	VOLTAGE		NO LOAD		AT MAXIMUM EFFICIENCY					STALL		
	OPERATING RANGE	NOMINAL	SPEED	CURRENT	SPEED	CURRENT	TORQUE		OUTPUT	TORQUE		CURRENT
			r/min	A	r/min	A	mN.m	g.cm	W	mN.m	g.cm	A
RS-755PH-4044	9.0~15.0	12.0	5486	0.670	4509	3.090	48.48	494.7	22.74	272.07	2776.2	14.252
RS-755PH-5033	9.0~15.0	12.0	7154	0.720	6109	4.216	52.14	532.0	34.79	357.46	3647.5	24.688
RS-755PH-8016	9.0~16.0	14.4	20500	2.4	17730	15.3	94.2	960	175	695	7095	98.0
RS-755PH-8017	12.0~20.0	18.0	19800	2.3	17320	16.0	126	1289	229	1009	10285	112