

The information provided herein is from CONNFLY Electronic Co., Ltd. and is confidential. Any disclosure to a party other than the recipient is prohibited. The intellectual properties and its rights of CONNFLY Electronic Co., Ltd. are reserved. Any modification is strictly prohibited without prior written consent from CONNFLY. All intellectual properties provided herein are for reference purposes only and does not constitute authorization of its use in any format or manner. CONNFLY may enforce its intellectual property rights at its own discretion; failures or delays to exercise such rights does not constitute a waiver of such rights.

1 2 3 4 5 6 7 8

REV.	DESCRIPTION	DRAWN	CHECKED	APPROVED
A	NEW RELEASE	LJH 11/11/05'		LJC 11/11/05'
B	DRAWING UPDATE	JLZ 09/19/14'	HZW 09/19/14'	LJC 09/19/14'
D	DRAWING UPDATE	JLZ 12/26/18'		

Notes:

Specifications:

- Contact Resistance: 20mΩ Max.
- Insulation Resistance: 1000MΩ Min.
- Dielectric Withstanding Voltage: 600V AC(rms) For 1 Minute.
- Current Rating:3A.
- Voltage Rating:250V AC rms.
- Temperature: -40°C~+105°C.

Materials:

- Contact Material: Copper Alloy.
- Contact Plating: Gold Plating Over Nickel.
- Insulator Materials: PBT,Black,UL94-V0.

Product Number Code:

DS1023-01 - X X X X

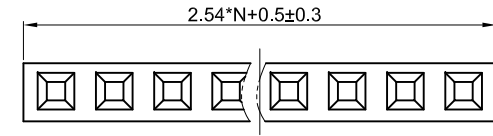
PROFILE HEIGHT(DIM A)

- 1: 8.5mm
- 2: 5.0mm

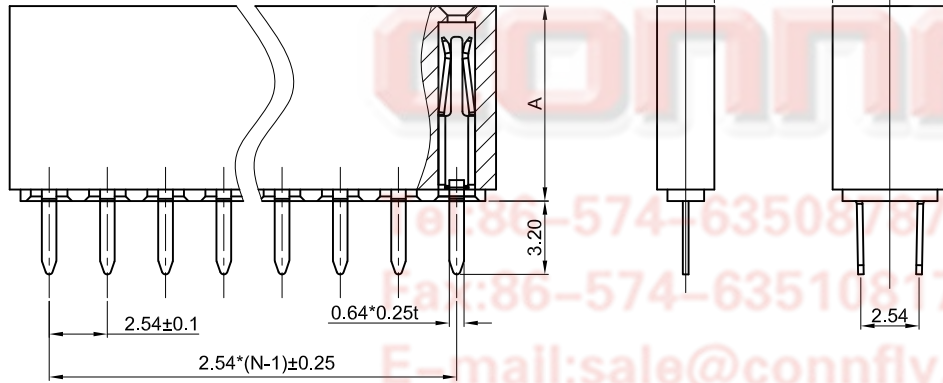
CONTACT PLATING
F1: FULL GOLD FLASH

MOUNTING TYPE
S: Straight TYPE

No.OF CONTACTS
1x2-1x40
2x2-2x40

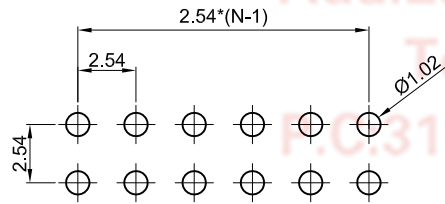


DIM.	A
Type 1	8.50
Type 2	5.00



Single row Double row

N=No. OF CONTACTS N=No. OF CONTACTS/2



RECOMMEND PCB LAYOUT
(TOLERANCE=±0.05)

GENERAL TOLERANCE		ANGLE TOLERANCE	
X.	±0.60	X.	±5°
.X	±0.38	.X	±3°
.XX	±0.25	.XX	±2°

PROJECTION		TITLE	2.54mm Female Header
UNITS	mm		V/T Type
SHEET SIZE	A4	SERIES	DS1023-01 SERIES

DRAWING TYPE	CUSTOMER		
SCALE	1:1	SHEET	1 OF 1
DRAWING NO.	C-DS1023-01-XXXX-D		

晨翔电子有限公司
CONNFLY CONNFLY ELECTRONIC CO. LTD

1 2 3 4 5 6 7 8