

# PIC32MM Curiosity Development Board

## Quick Start Guide

### Americas

Atlanta, GA - 678-957-9614  
Austin, TX - 512-257-3370  
Boston, MA - 774-760-0087  
Chicago, IL - 630-285-0071  
Dallas, TX - 972-818-7423  
Detroit, MI - 248-848-4000  
Houston, TX - 281-894-5983  
Indianapolis, IN - 317-773-8323  
Los Angeles, CA - 949-462-9523  
New York, NY - 631-435-6000  
Phoenix, AZ - 480-792-7200  
Raleigh, NC - 919-844-7510  
San Jose, CA - 408-735-9110  
Canada - Toronto - 905-695-1980

### Europe

Austria - Wels - 43-7242-2244-39  
Denmark - Copenhagen - 45-4450-2828  
Finland - Espoo - 358-9-4520-820  
France - Paris - 33-1-69-53-63-20  
France - Saint Cloud - 33-1-30-60-70-00  
Germany - Garching - 49-8931-9700  
Germany - Haan - 49-2129-3766400  
Germany - Heilbronn - 49-7131-67-3636  
Germany - Karlsruhe - 49-721-625370  
Germany - Munich - 49-89-627-144-0  
Germany - Rosenheim - 49-8031-354-560  
Israel - Ra'anana - 972-9-744-7705  
Italy - Milan - 39-0331-742611  
Italy - Padova - 39-049-7625286  
Netherlands - Drunen - 31-416-690399  
Norway - Trondheim - 47-7289-7561  
Poland - Warsaw - 48-22-3325737  
Romania - Bucharest - 40-21-407-87-50  
Spain - Madrid - 34-91-708-08-90  
Sweden - Gothenberg - 46-31-704-60-40  
Sweden - Stockholm - 46-8-5090-4654  
UK - Wokingham - 44-118-921-5800

### Asia/Pacific

Hong Kong - 852-2943-5100  
Australia - Sydney - 61-2-9868-6733  
China - Beijing - 86-10-8569-7000  
China - Chengdu - 86-28-8665-5511  
China - Chongqing - 86-23-8980-9588  
China - Dongguan - 86-769-8702-9880  
China - Guangzhou - 86-20-8755-8029  
China - Hangzhou - 86-571-8792-8115  
China - Hong Kong SAR - 852-2943-5100  
China - Nanjing - 86-25-8473-2460  
China - Qingdao - 86-532-8502-7355  
China - Shanghai - 86-21-3326-8000  
China - Shenyang - 86-24-2334-2829  
China - Shenzhen - 86-755-8864-2200  
China - Wuhan - 86-27-5980-5300  
China - Xiamen - 86-592-2388138  
China - Xian - 86-29-8833-7252  
China - Zhuhai - 86-756-3210040  
India - Bangalore - 91-80-3090-4444  
India - New Delhi - 91-11-4160-8631  
India - Pune - 91-20-3019-1500  
Japan - Osaka - 81-6-6152-7160  
Japan - Tokyo - 81-3-6880-3770  
Korea - Daegu - 82-53-744-4301  
Korea - Seoul - 82-2-554-7200  
Malaysia - Kuala Lumpur - 60-3-6201-9857  
Malaysia - Penang - 60-4-227-8870  
Philippines - Manila - 63-2-634-9065  
Singapore - 65-6334-8870  
Taiwan - Hsin Chu - 886-3-5778-366  
Taiwan - Kaohsiung - 886-7-213-7830  
Taiwan - Taipei - 886-2-2508-8600  
Thailand - Bangkok - 66-2-694-1351

11/07/16



Microchip Technology Inc. • 2355 West Chandler Blvd. • Chandler, AZ 85224-6199

[www.microchip.com](http://www.microchip.com)

The Microchip name and logo, the Microchip logo, and MPLAB are registered trademarks of Microchip Technology Incorporated in the U.S.A. and other countries. PICkit is a trademark of Microchip Technology Incorporated in the U.S.A. and other countries. All other trademarks mentioned herein are property of their respective companies.  
© 2016, Microchip Technology Incorporated, Printed in the U.S.A. All Rights Reserved. 12/16

DS50002555A

## Overview

The PIC32MM Curiosity Development Board is a demonstration, development and experimentation platform based on the PIC32MM0064GPL036 low-power, low-cost microcontroller. The board has a built-in programmer/debugger and provides all of the hardware necessary to get started developing a complete embedded application. Some key features of the board include:

- PIC32MM0064GPL036 general purpose, 32-bit microcontroller
- PICkit™ On-Board (PKOB) circuit implements basic programming/debugging ability
- MCLR Reset button + two general purpose push buttons
- Red/Green/Blue (RGB) LED + two general purpose indicator LEDs
- 10k potentiometer
- 32.768 kHz crystal
- Female headers for access to microcontroller I/O pins
- Small prototyping area + Bluetooth® LE radio footprint
- mikroBUS™ interface for hardware expansion

## Board Power-up

The board is intended to be powered through the micro-B USB connector (USB1). A MIC5528 linear regulator (U5) generates the +3.3V rail used by the PIC32MM0064GPL036 microcontroller.

## Getting Started

Microchip Technology provides several example projects that can be used to get started with the PIC32MM Curiosity Development Board. The source code, the MPLAB® X IDE, the XC32 C compiler and the MPLAB Code Configurator (MCC) can be obtained from:

<http://www.microchip.com/curiosity>

<http://www.microchip.com/mplab>

<http://www.microchip.com/xc32>

<http://www.microchip.com/mcc>

The preprogrammed “out-of-box” demo project for the PIC32MM Curiosity Development Board implements an RGB color mixing application. In the demo, the potentiometer can be used to adjust each color channel intensity, independently, while the push buttons are used to select the channel to be adjusted.

In order to use the PKOB programmer/debugger within the MPLAB X IDE (v3.50 or later recommended), select:

```
Project Properties/Categories: Conf/Hardware Tool/Microchip  
Starter Kits/Starter Kits (PKOB)/"PIC32MM Curiosi..."
```

## Schematics

The schematics for the PIC32MM Curiosity Development Board are shown in [Figure 1](#) and [Figure 2](#).

FIGURE 1: PIC32MM CURIOSITY DEVELOPMENT BOARD SCHEMATICS REV. 1.0 (PAGE 1 OF 2)

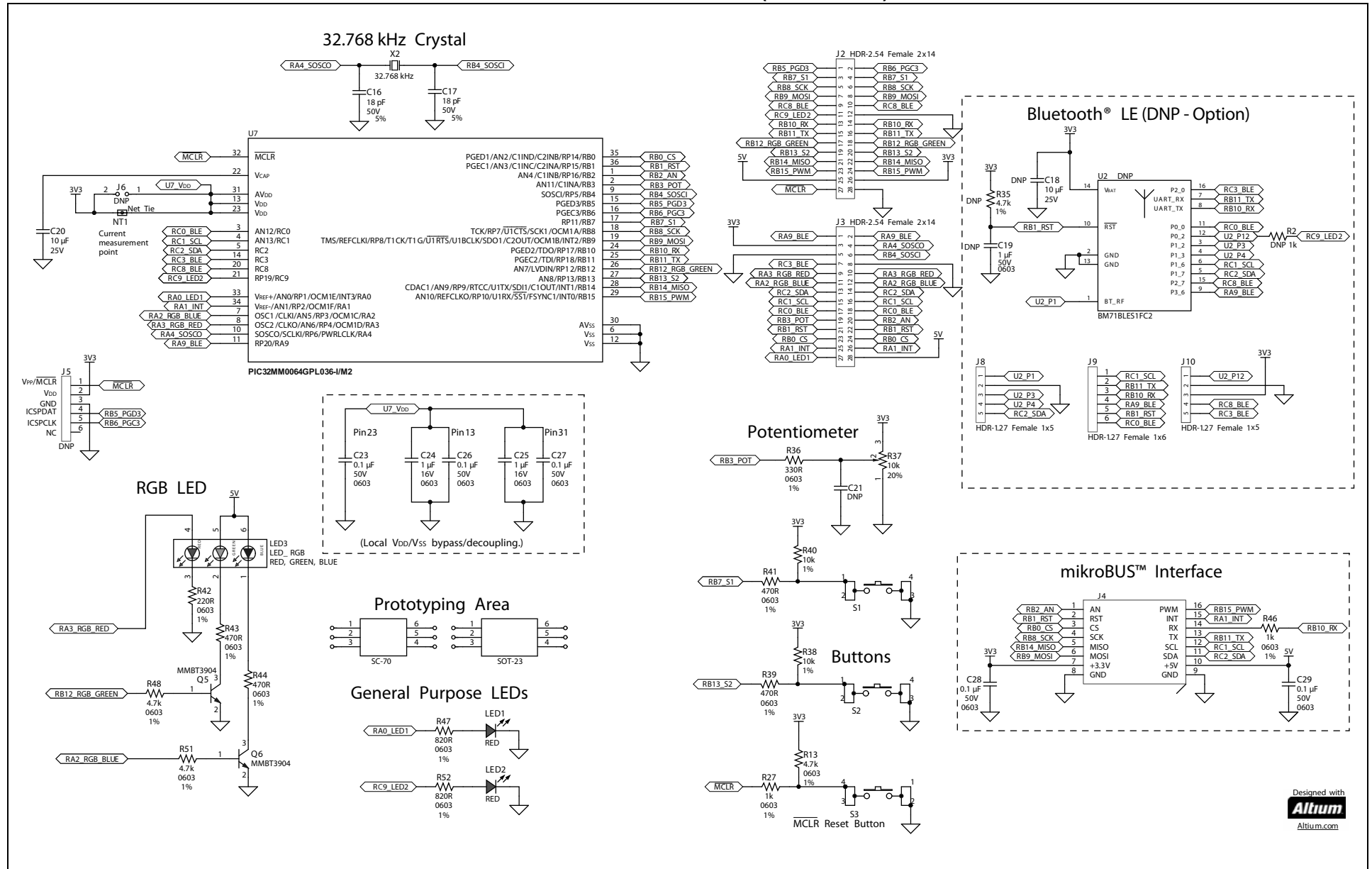
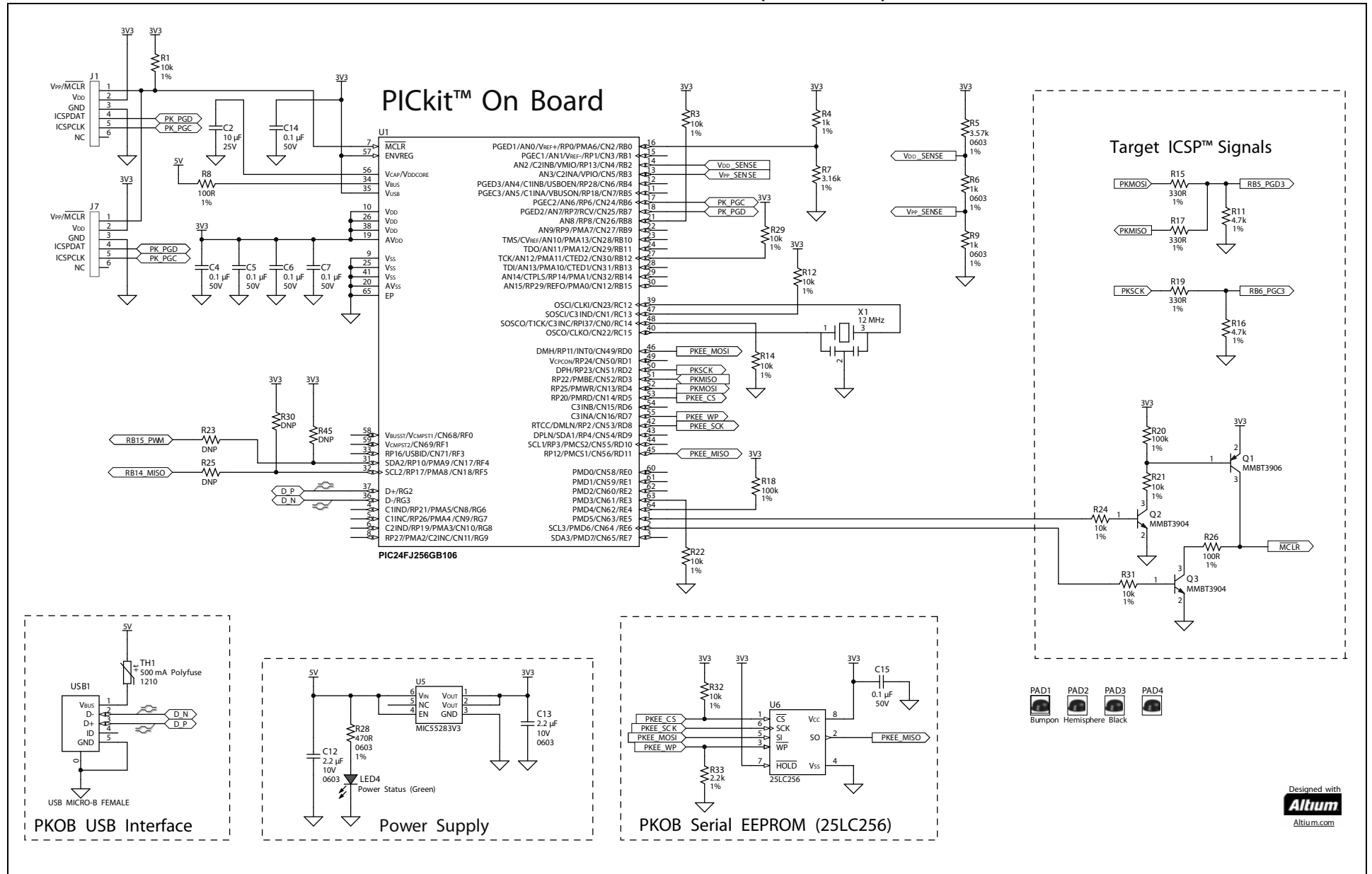


FIGURE 2: PIC32MM CURIOSITY DEVELOPMENT BOARD SCHEMATICS REV. 1.0 (PAGE 2 OF 2)



DS50002555A

# Mouser Electronics

Authorized Distributor

Click to View Pricing, Inventory, Delivery & Lifecycle Information:

[Microchip:](#)

[DM320101](#)