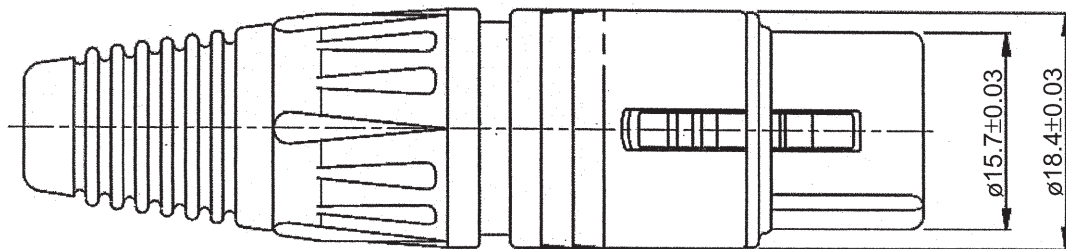
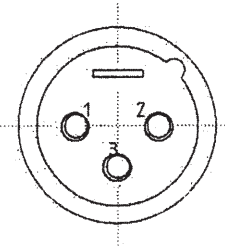
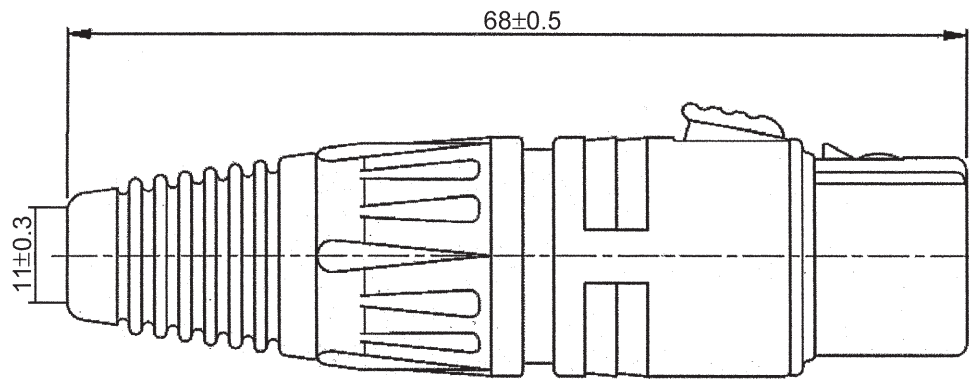


RoHS
Compliant
Drawing For
Reference Only



Technical requirement :

1. This product should meet EU RoHS related requirement.
2. The surface of plastic part should be without any crackle such as burr,lack,and so on phenomenon.
3. The surface of metal part should be without any defect such as scaur,nick,oxidation and plating problem.
4. The electronic performance should be the same as spec.
5. The un-specified tolerance is : $<6 \pm 0.1$
 $6 \sim 20 \pm 0.2$
 $>20 \pm 0.3$

Specification :

Rated Current : 5A max.
 Contact Resistance : 30m ohm max.
 Insulation Resistance : 100M ohm min. at DC 500V
 Dielectric Strength : AC 500V for one minute.

DCI DRAGON CITY INDUSTRIES LIMITED

			Design	K.W Law	Remark		Scale	
			Drawing	W.K Yeung	Remark		Material	
Item Name	3P Mike Jack	Tolerance :	Check	K.L Wong	Remark		Dwg No.	90220-1425
Item No.	MC-107-EN	Unit : mm	Approval	K.W Chan	Remark		Sheet	