

# 7334L2622F04LF

Catalogue Part Number Key

Lead Free Version (Optional)

A

FCI

50.5 ± 0.5

Durability

- 0: 2500 Mating Cycles
- 2: 10000 Mating Cycles
- 5: 100000 Mating Cycles

Number of contacts :

- 2: 8 contacts ISO
- 3: 16 contacts ISO + AFNOR

**ELECTRICAL PROPERTIES:**

- Insulation resistance : 5000 MΩ min
- Dielectric withstanding : 750 Vrms min
- Current carrying capacity : 10µA min. 1A max
- Contact resistance : 100mΩ max
- Card sensor type : Normally closed

**MECHANICAL PROPERTIES:**

- Contact Normal force : 0.6 N max (EMV Standard)
- Insertion force : 10 N max
- Extraction force : 1 N min

**MATERIAL:**

- Housing : Thermoplastic, Colour Black, Rated UL94V0
- Contacts and switch : Copper Alloy
- Plating : Gold over Nickel on contact area.  
Matte Tin over Nickel on solder tails  
Bare edge allowed

**ENVIRONMENT:**

- Operating temperature: -20°C / +70°C
- Storage temperature: -40°C / +85°C
- Printed Circuit Board thickness : 1.6mm

**REFERENCE DOCUMENTS:**

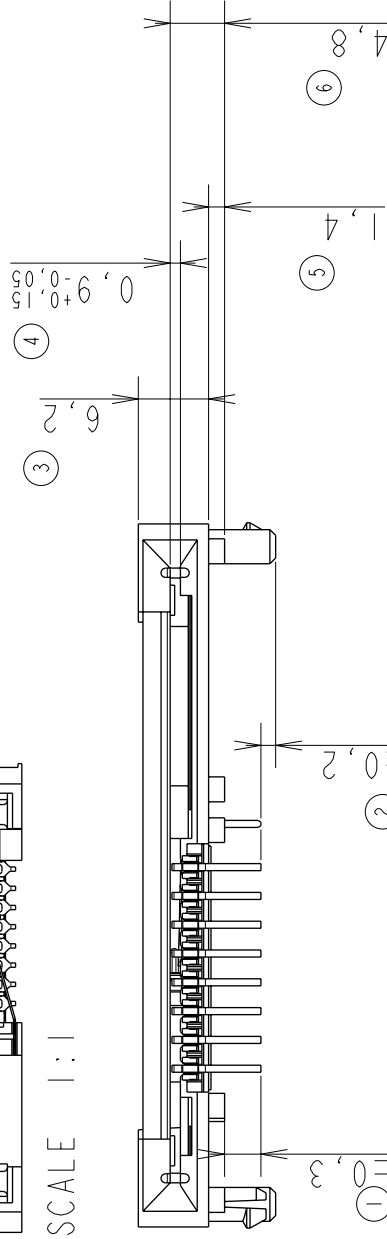
- Product specification VGN 11596
- Packaging Specification VGN 11619

A

B

B

SCALE 1:1

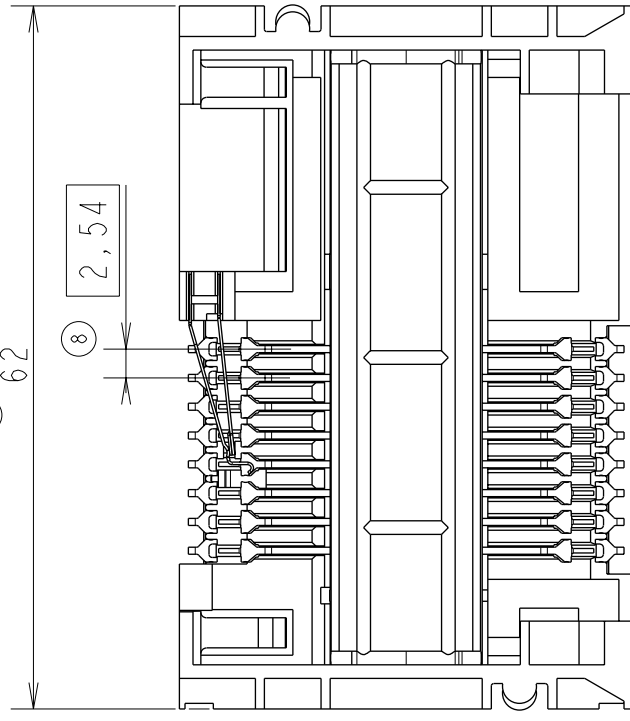


C

C

LEAD FREE VERSION:

"This product meets European Union Directives and other country regulations as described in GS-22-008"



The housing will withstand exposure to 260°C peak temperature for 10seconds in a wave solder application with a 1.6mm minimum thick circuit board. Use protective adhesive tape (Kapton or Teflon) or protective metallic devices on the areas which are directly exposed to wave soldering as it is used in classical leaded wave soldering

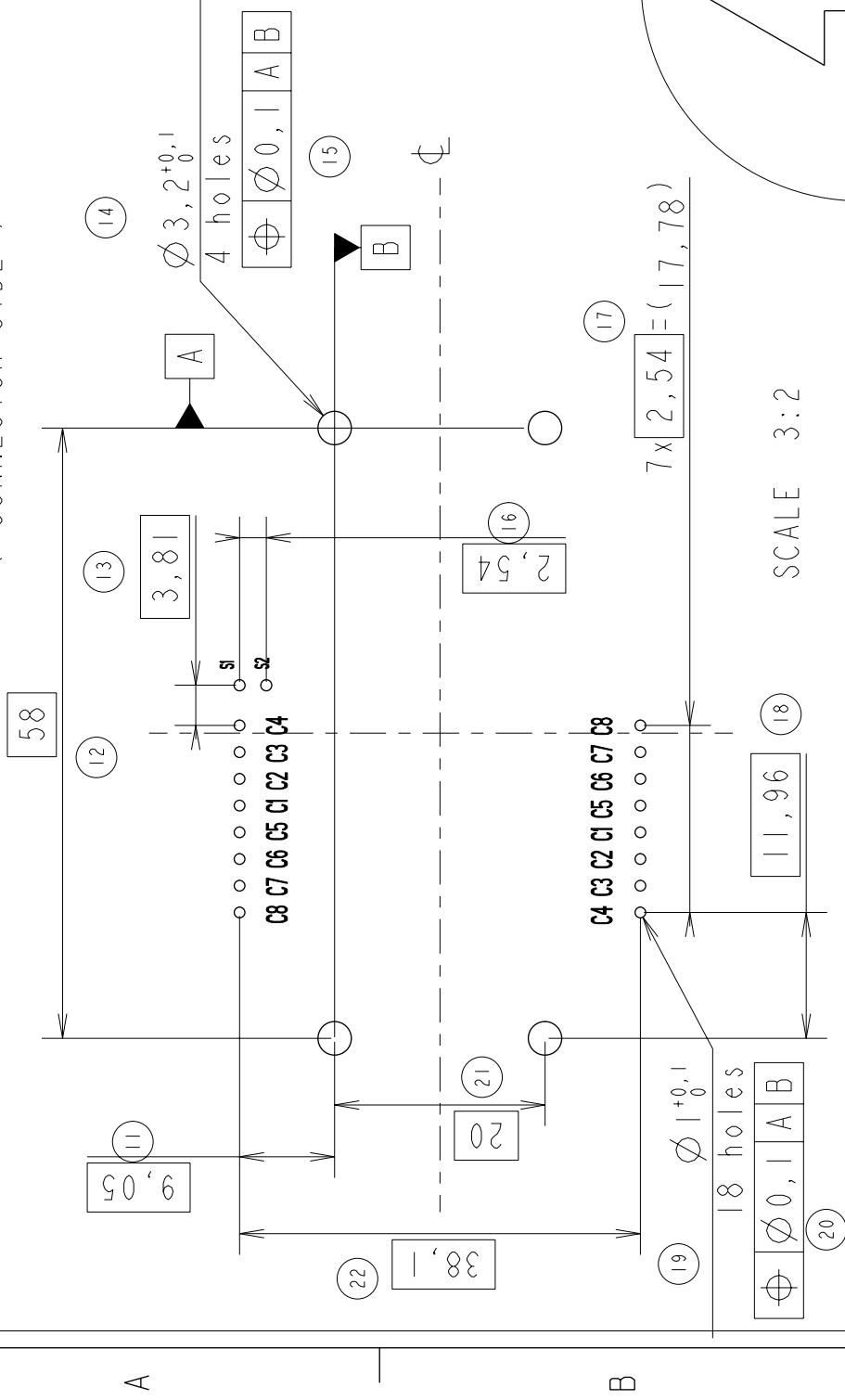
Copyright FCI

General tolerances: ± 0.2 mm

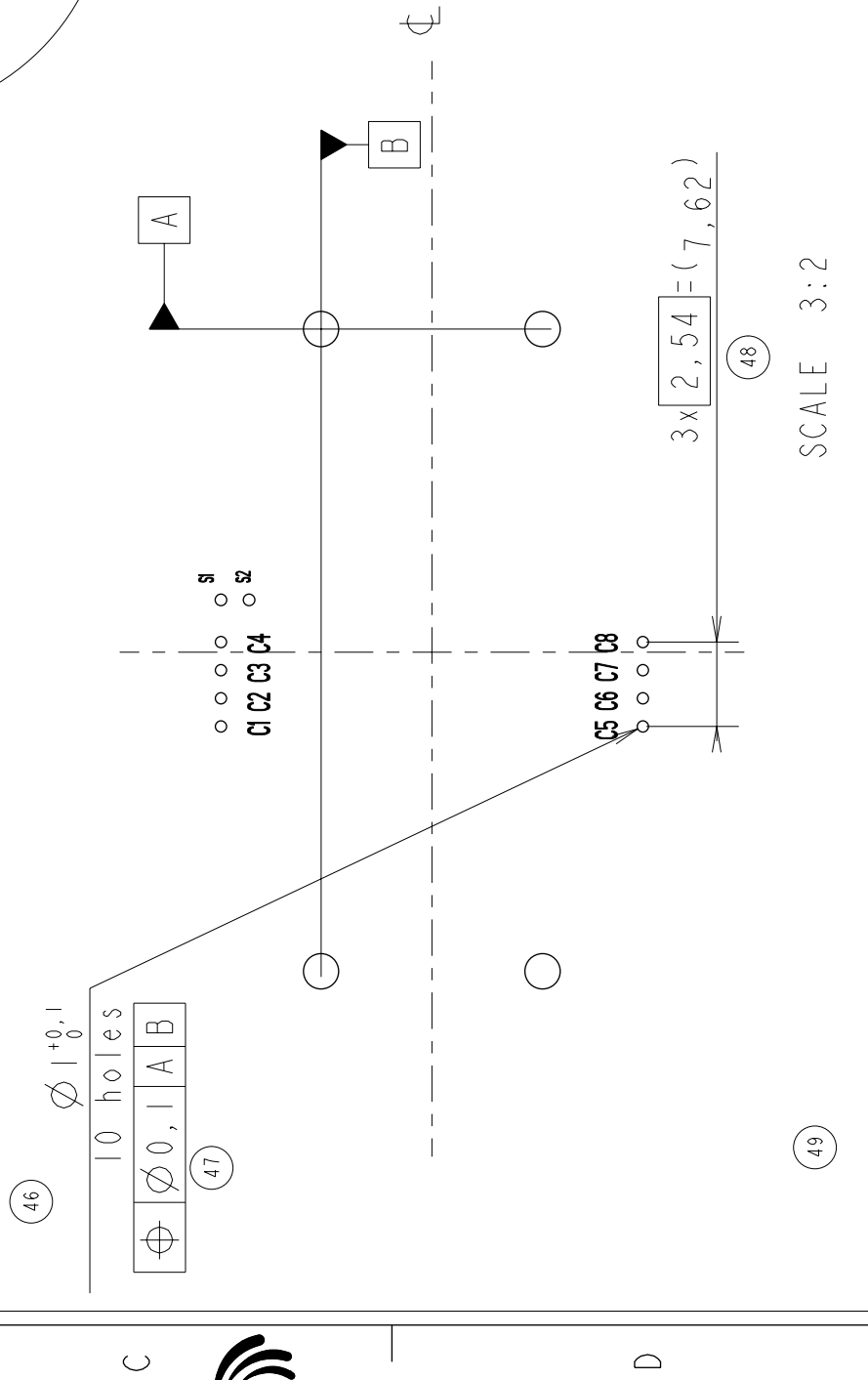
www.fciconnect.com		surface	ISO 1302	tolerance std	ISO 406	ISO 1101	projection	mm
		TOLERANCES UNLESS OTHERWISE SPECIFIED						
Dr	N. TWINCY	2002/04/30	ANGULAR	0.X	±	±	size	Scale
Eng	F. TISSERAND	2002/04/30	0° ±	0.XX	±	±	A3	3:2
Chr	RAMESH.P.K	2009/04/15	Product family	0.XXX	±	±	ECN	109-0057
Appr	S.S.CHERIAN	2009/04/15	SMART CARDS			Spec ref		SEE NOTES
		L26 TYPE F04		SEE TABLE		CUSTOMER		sheet 1 of 2
		--		VJW 54704		Rev.		F
catalog no		SEE TABLE		CUSTOMER		sheet 1 of 2		

l/r	ecn no	dr	date
A	F20307	DLE	2002/04/30
B	105-0071	DTK	2005/06/25
C	106-0054	SSC	2006/05/08
D	106-0189	SSC	2006/10/17
E	107-0018	SSC	2007/02/07
F	109-0057	SSC	2009/04/15

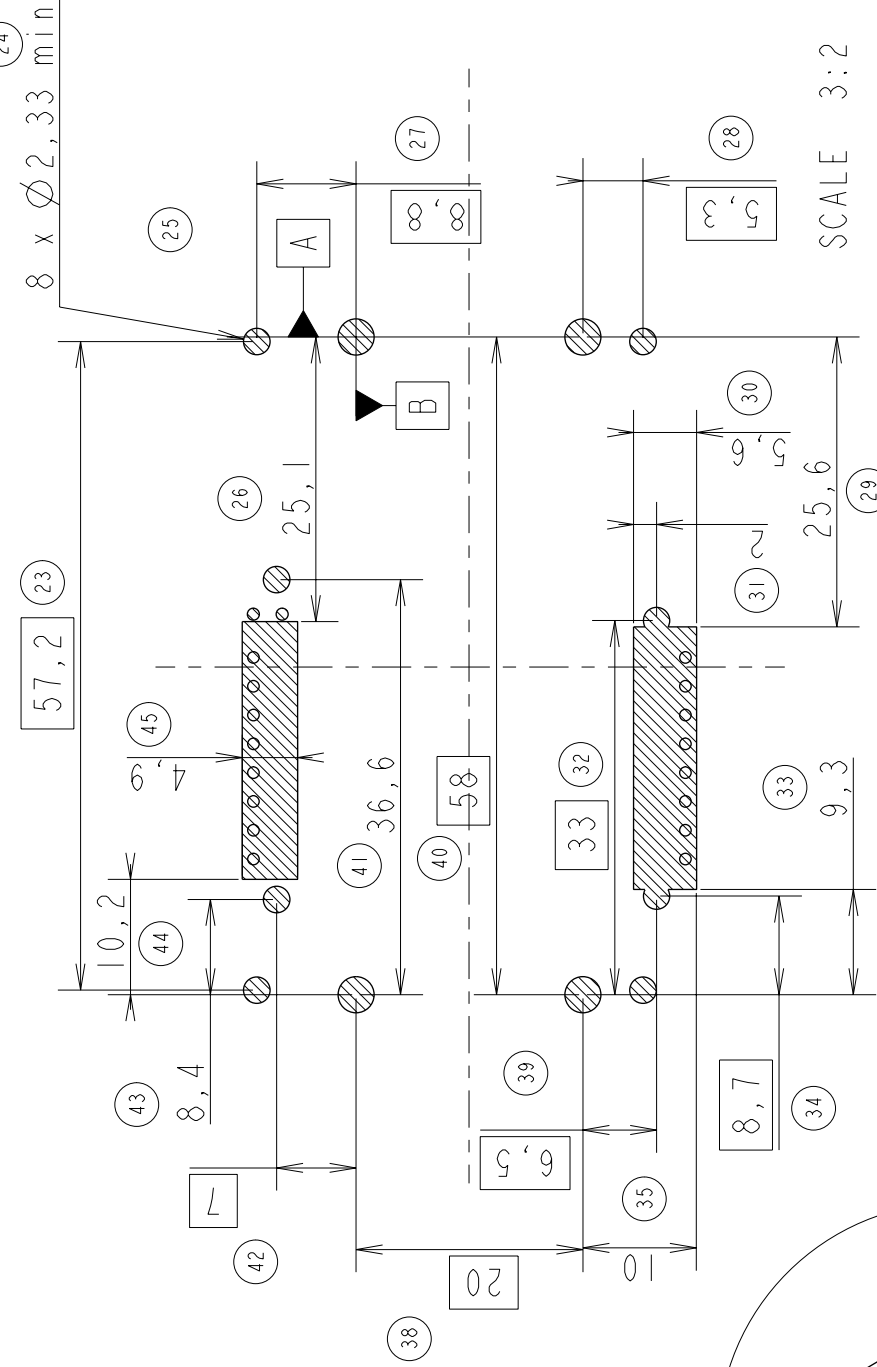
**RECOMMENDED PCB LAYOUT CONTACT CONFIGURATION : ISO & AFNOR**  
( CONNECTOR SIDE )



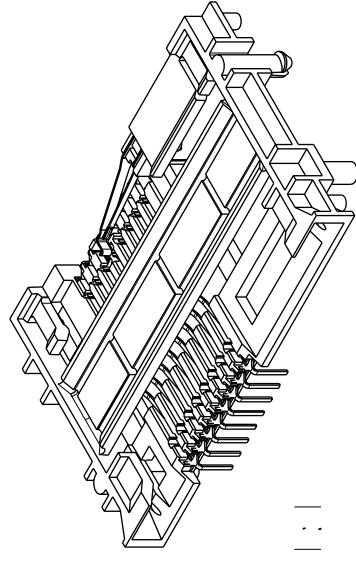
**RECOMMENDED PCB LAYOUT CONTACT CONFIGURATION : ISO**  
( CONNECTOR SIDE )



**STANDARD LAYOUT FOR 'KEEP OUT ZONE' (Connector Side)**



Hatching area might be free of components  
Maximum free space outside of these zones = 1.4 mm



ECHELLE 1 : 1

**EUROPEAN PROJECTION**

www.fciconnect.com		surface	tolerance std	projection	mm
		ISO 1302	ISO 406 ISO 1101		
		TOLERANCES UNLESS OTHERWISE SPECIFIED			
Dr	N. TWINCY	2002/04/30	0.X	size	Scale
Eng	F. TISSERAND	2002/04/30	0.XX	A3	3:2
Chr	RAMESH.P.K	2009/04/15	0.XXX	ECN	109-0057
Appr	S.S.CHERIAN	2009/04/15	SMART CARDS	Spec ref	SEE NOTES
Product family		Product family			
L26 TYPE F04		L26 TYPE F04			
Rev.		Rev.			
VJW 54704		VJW 54704			
catalog no		catalog no			
SEE TABLE		SEE TABLE			
CUSTOMER		CUSTOMER			
sheet 2 of 2		sheet 2 of 2			

