

DATA SHEET

SUNGMUN CODE : SP-12SV

DESCRIPTION : PUSH SWITCH

SUNGMUN ELECTRONICS CO., LTD.

Address 301-302, Bucheon Technopark 345, Seokcheon-ro, Ojeong-gu
Bucheon-si, Gyeonggi-do, Korea

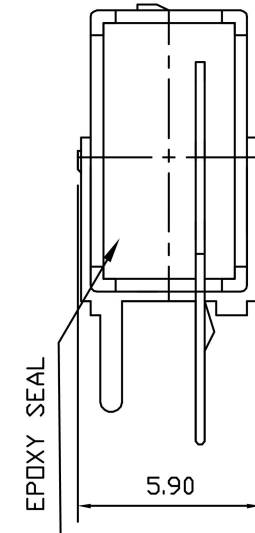
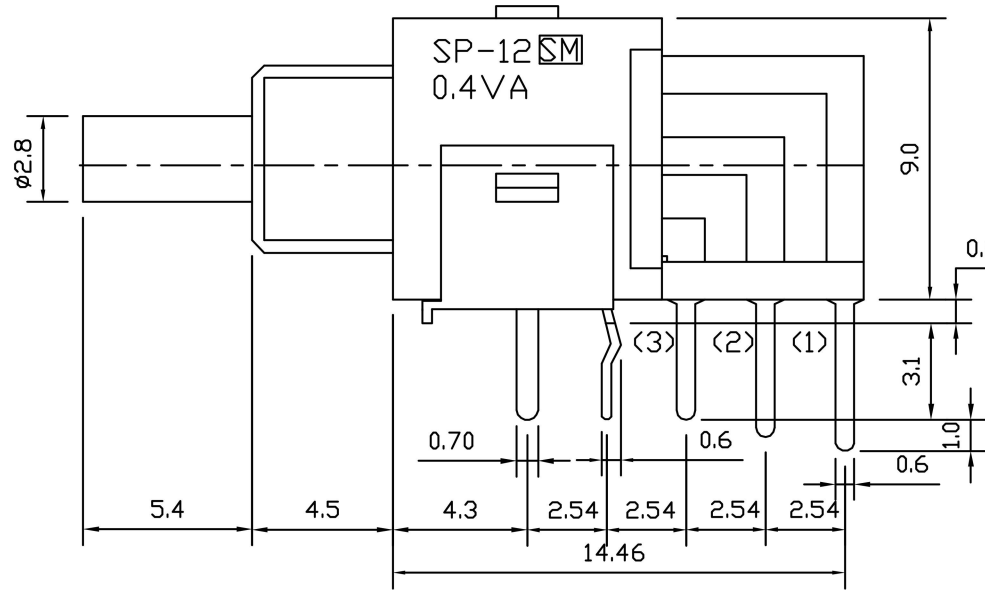
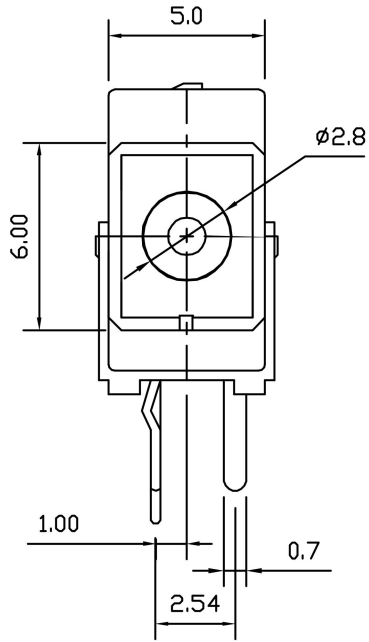
TEL. +82-32-328-1941~4

FAX +82-32-328-1945

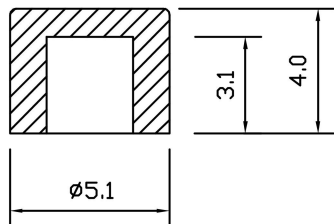
E-mail sungmun@sungmun.co.kr

Website www.sungmun.com

MARK	DATE	REMARKS
△		
△		

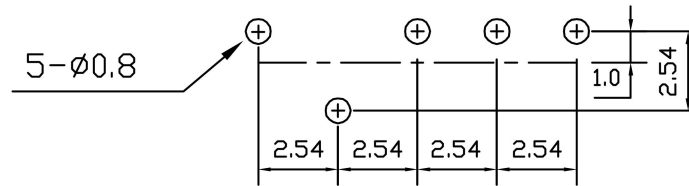


SK-100 □ (CAP)



COLOR □

K:BLACK
R:RED
W:WHITE



P.C.B DIMENSION

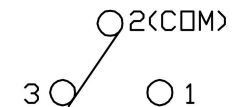
CIRCUIT

NORMAL DOWN

ON (ON)
2-3 1-2

< > MOMENTARY

SCHEMATICS



NOTE: GENERAL TOLERANCE ±0.3				APPD	CHKD	DSGD	MODEL
				LEE K.I	ROH J.P	JEON Y.N	PUSH BUTTON SWITCH
							PART NAME
							SP-12SV
DATA				SUNGMUN ELECTRONICS CO.,LTD			

1. Electrical Characteristics :

- 1-1 Rating: 0.4VA at 28V AC or DC Max.
- 1-2 Contact Resistance: Max 50 mΩ
- 1-3 Insulation Resistance: Min 500 MΩ at DC 500V
- 1-4 Withstanding Voltage: 1 minute at AC 500V
- 1-5 Life Cycle: 20,000 cycles
- 1-6 Operating Temperature: -25°C ~ +80°C

2. Mechanical Characteristics :

- 2-1 Operating Force: 250±100gf
- 2-2 Travel: 1.1mm
- 2-3 Insulator: Fiberglass reinforced polyamide.
- 2-4 Terminal: Brass, Gold plate.

3. High, Low Temperature Test :

- 3-1 Test Condition: 80°C±3°C for 48 hours
-25°C±3°C for 48 hours
- 3-2 Insulation Resistance: Min 500 MΩ at DC 500V
- 3-3 Withstanding Voltage: 1 minute at AC 500V
- 3-4 Contact Resistance: Max 50 mΩ

4. Humidity Test :

- 4-1 Test Condition: Measured 3 hours after exposure to ambient after 96 hours exposure at
40°C±2°C, 90-95% R.H
- 4-2 Insulation Resistance: Min 10 MΩ
- 4-3 Withstanding Voltage: 1 minute at AC 500V
- 4-4 Contact Resistance: Max 50 mΩ

5. Solder Condition :

- 5-1 Within 5 sec. at 270°C