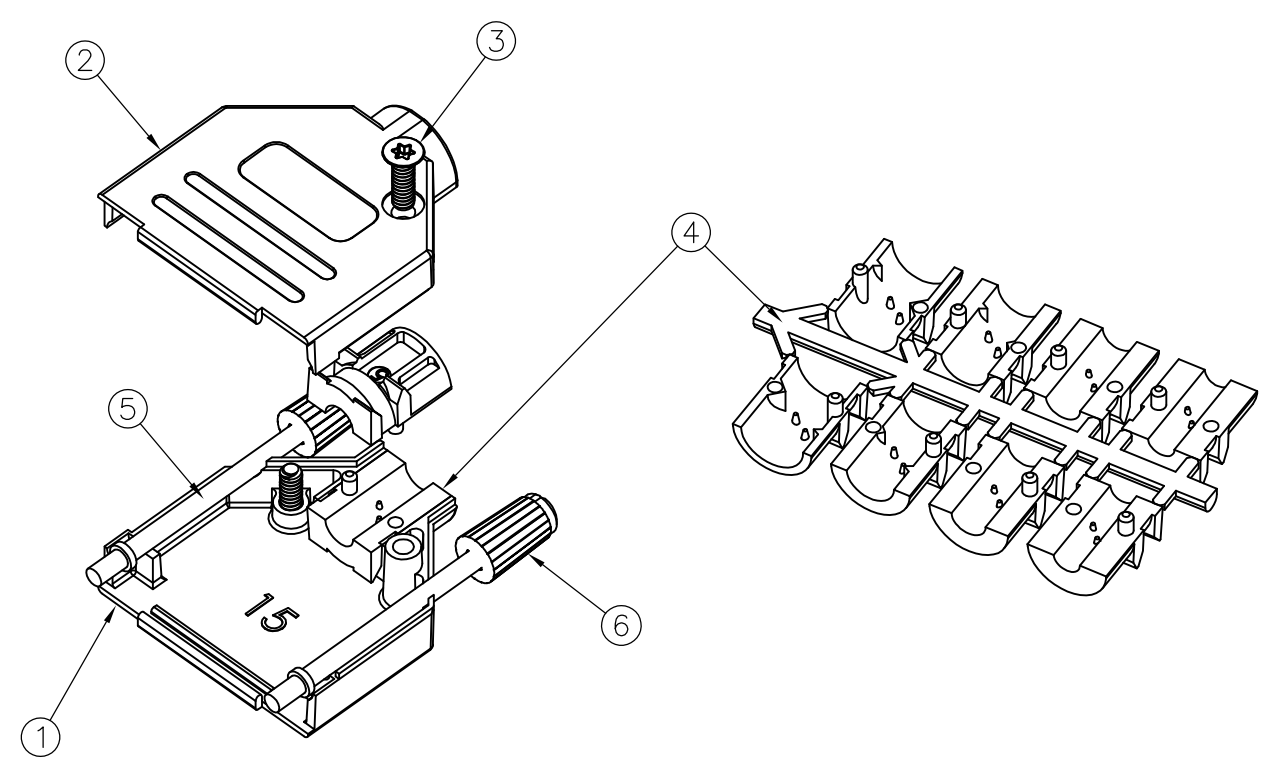
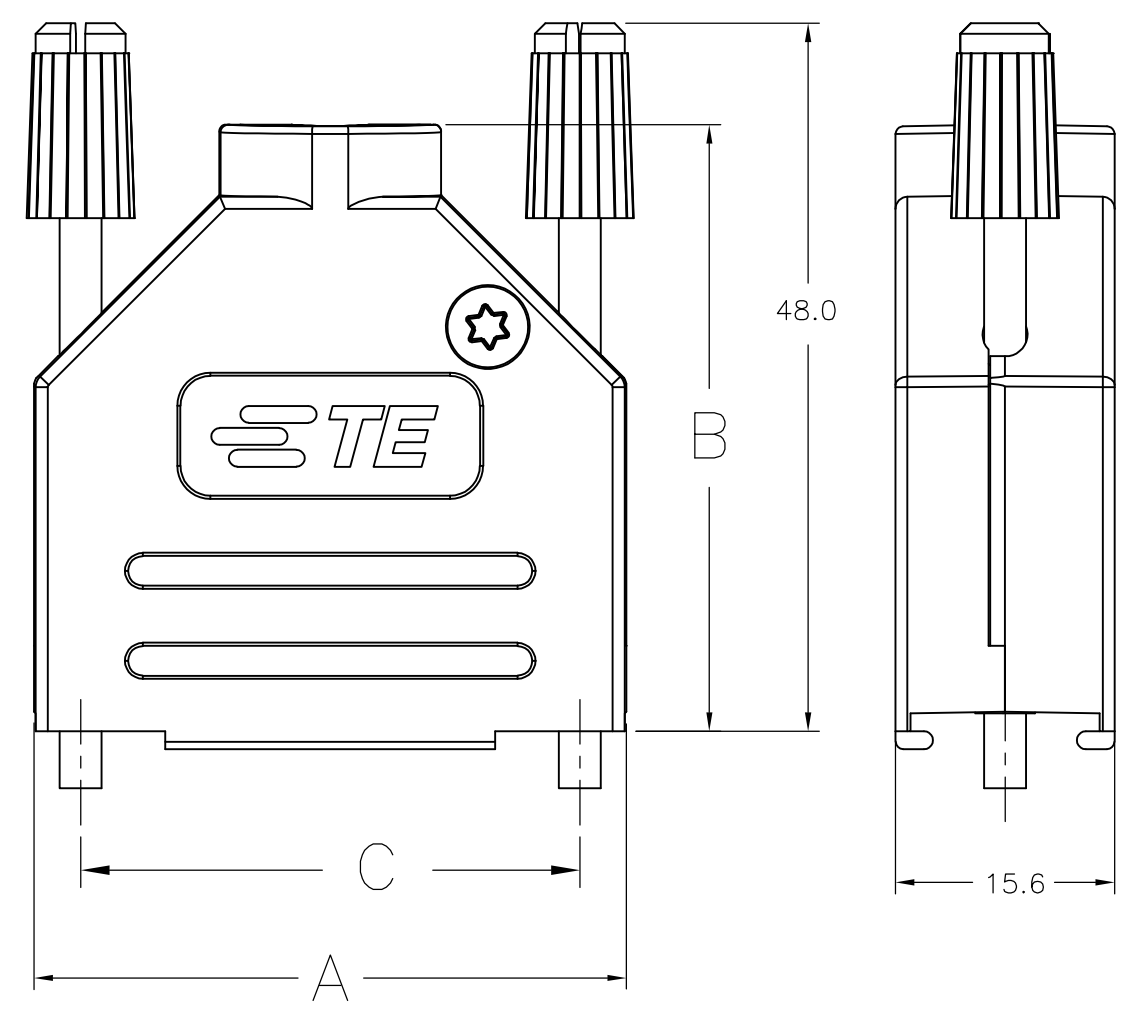


THIS DRAWING IS UNPUBLISHED. RELEASED FOR PUBLICATION DEC ,2011.  
 © COPYRIGHT 2011 By - ALL RIGHTS RESERVED.

LOC	DIST	REVISIONS					
GP	00	P	LTR	DESCRIPTION	DATE	DWN	APVD
		D		REVISED PER ECO-12-007484	25APR2012	CJV	CWR



- 1. FOR ASSEMBLY DETAILS REFER TO LEAFLET 1478530-1.
- 2. BULK PACKAGED SHELL ASSEMBLIES. SHELL ASSEMBLY COMPONENTS PACKAGED SEPARATELY IN BAGS. 100 COMPONENTS PER BAG. ONE LEAFLET 1478530-1 PER PACK OF 100 PARTS.
- 3. INDIVIDUAL PACKAGED SHELL ASSEMBLIES. ONE BAG CONTAINS ALL COMPONENTS FOR ONE FULL ASSEMBLY & ONE LEAFLET 1478530-1.
- 4. TERMINATES 4.0-13.0 CABLE DIAMETERS.
- 5. 15 POSITION SHOWN.

3	63.5	52.2	69.5	TORX	4-40 UNC	4	37 WAY	5-2198617-4
3	47.0	47.8	53.0	TORX	4-40 UNC	3	25 WAY	5-2198617-3
3	33.3	40.5	39.3	TORX	4-40 UNC	2	15 WAY	5-2198617-2
3	25.0	38.3	31.0	TORX	4-40 UNC	1	9 WAY	5-2198617-1
2	63.5	52.2	69.5	TORX	4-40 UNC	4	37 WAY	3-2198617-7
2	47.0	47.8	53.0	TORX	4-40 UNC	3	25 WAY	2-2198617-5
2	33.3	40.5	39.3	TORX	4-40 UNC	2	15 WAY	1-2198617-5
2	25.0	38.3	31.0	TORX	4-40 UNC	1	9 WAY	2198617-9
PACKAGING	C	B	A	SELF TAPPING FIXING SCREW TYPE	JACKSCREW THREAD	SHELL SIZE	POSITION	PART NUMBER

6	JACKSCREW KNOB	POLYAMIDE UL94 V2		2
5	JACKSCREW	CARBON STEEL	ZINC	2
4	STRAIN RELIEF	POLYCARBONATE UL94 V0		2
3	SELF TAPPING FIXING SCREW	CARBON STEEL	NICKEL	2
2	BACKSHELL TOP	ABS UL94 V0	NICKEL	1
1	BACKSHELL BOTTOM	ABS UL94 V0	NICKEL	1
ITEM	DESCRIPTION	MATERIAL	FINISH	QTY

THIS DRAWING IS A CONTROLLED DOCUMENT. DIMENSIONING AND TOLERANCING PER ASME Y14.5M-2009

DWN C. VALENTINE 08DEC2011  
 CHK C. ROHDE 08DEC2011  
 APVD C. ROHDE 08DEC2011

**STE** TE Connectivity

ADK SERIES PLATED PLASTIC BACKSHELL STRAIGHT ENTRY

NAME: \_\_\_\_\_

SIZE: A3 CAGE CODE: 00779 DRAWING NO: C-2198617 RESTRICTED TO: \_\_\_\_\_

SCALE: NTS SHEET: 1 OF 1 REV: D

CUSTOMER DRAWING

DIMENSIONS:	TOLERANCES UNLESS OTHERWISE SPECIFIED:
mm	
0 PLC	± 0.5
1 PLC	± 0.5
2 PLC	± 0.5
3 PLC	± 0.5
4 PLC	± 0.5
ANGLES	± 0.5°
MATERIAL	FINISH
SEE TABLE	SEE TABLE