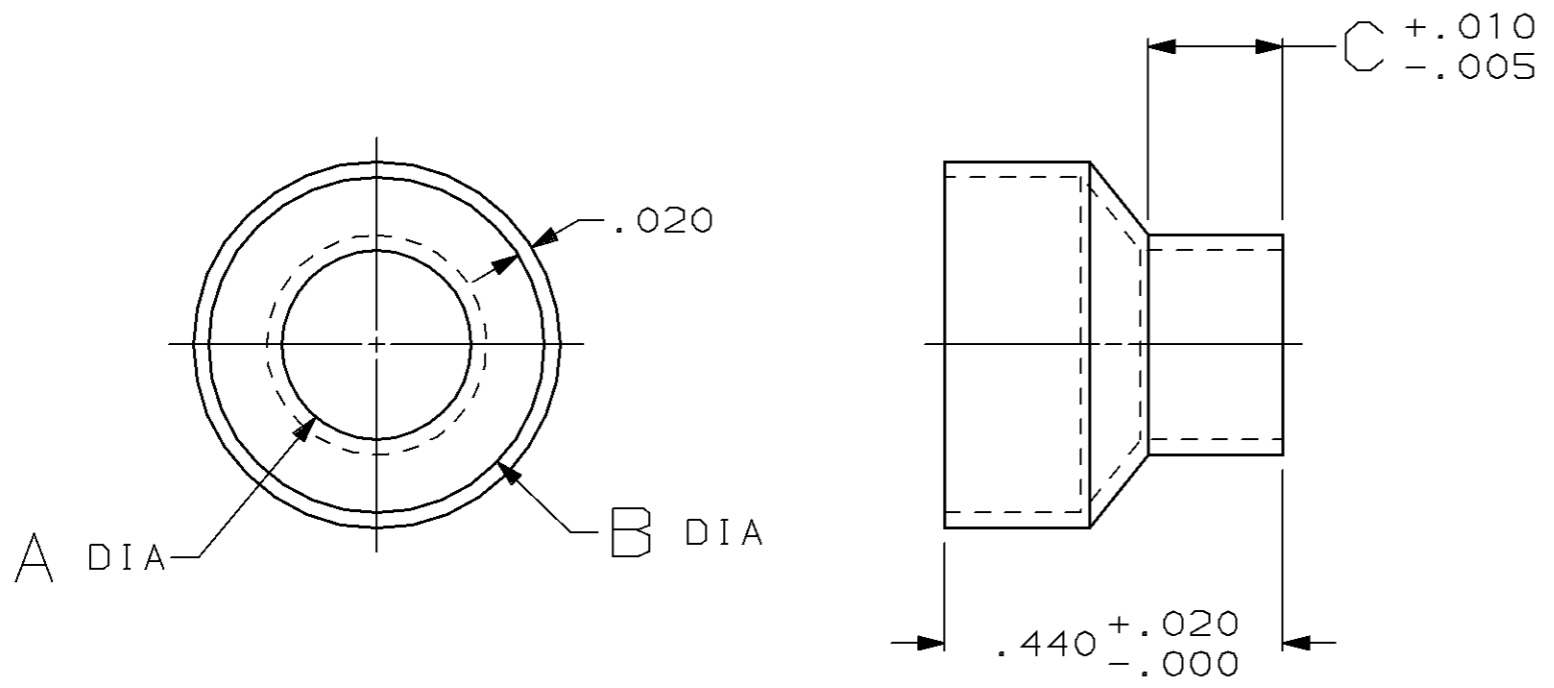


THIS DRAWING IS UNPUBLISHED. RELEASED FOR PUBLICATION, 19 .
 © COPYRIGHT 19 BY AMP INCORPORATED. ALL INTERNATIONAL RIGHTS RESERVED.

LOC	DIST	P	F	REVISIONS				
				ZONE	LTR	DESCRIPTION	DATE	APPD
BD	48				C	REVISED & REDRAWN BD-3047	05/25/89	-
					D	REV PER ECN BD6245	07/22/92	TS
					E	REV PER EC 0020-40-92	11/19/92	SB
					F	REV PER EC 0020-76-95	02/14/95	JS
					G	REV PER EC 0020-0677-95	28 JUL 95	CS



.460-.400	-	.460	-	1-747579-4
.437-.375	-	.437	-	1-747579-2
.375-.324	.175	.437	.375	1-747579-1
.324-.246	.175	.437	.324	1-747579-0
.246-.165	.175	.437	.246	747579-8

INSULATION RANGE		C	B	A	PART NO
DIAMETER, REF					
DO NOT SCALE PRINT. UNLESS SPECIFIED DIMENSIONS IN INCHES TOLERANCES ON: 2 PLC DEC ± - 3 PLC DEC ± .005 ANGLES ± -		DR 05/25/89 S. WELDON	AMP AMP INCORPORATED Harrisburg, Pa. 17105		
MATERIAL STEEL, ANNEALED		CHK 06/01/89 R. STONE			
FINISH		APPD 06/01/89 R. WHYNE	NAME FERRULE, OUTER, SIZES 1 THRU 3, SHIELDING HARDWARE, AMPLIMITE®		
1 .000200 MIN BRIGHT TIN OVER .000100 MIN COPPER.		APPD 06/02/89 J. SHOWERS	SIZE B	CAGE CODE 00779	DRAWING NO 747579
		PRODUCT SPEC -	SCALE 4:1	SHEET 1 OF 1	
		APPLICATION SPEC -			
		WEIGHT -			