

MICRO SWITCH
 A DIVISION OF MINNEAPOLIS-HONEYWELL REGULATOR COMPANY
 FREEPORT, ILLINOIS
 FED. MFR. CODE 91929

ACTUATOR - SWITCH

JS-85

M

DRAWING NUMBER

X 8

ISSUE

3

REPLACES

RELEASE NO. SR-7819

CHECK

CHECK

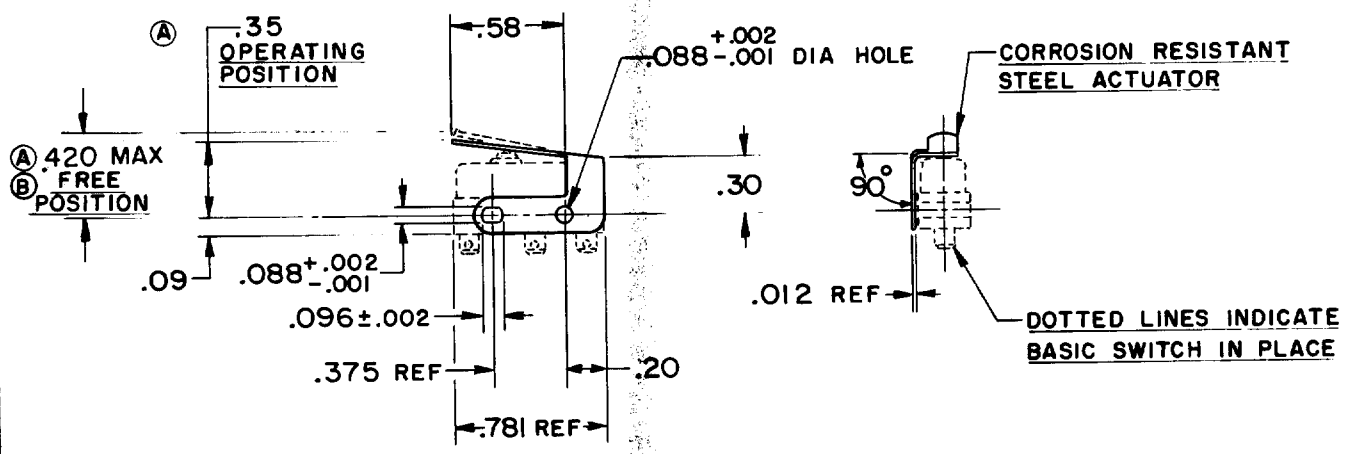
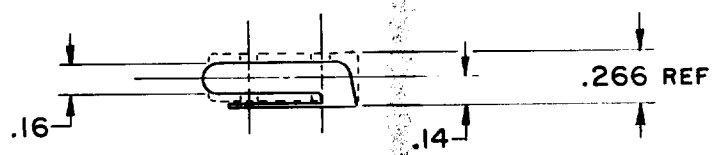
30 SEPT 58

CHECK

30 SEPT 58

REVISIONS

A	CO12901	M B F	14 MAY 59
B	CO17304	M B F	6 JUNE 63



THIS DRAWING COVERS A PROPRIETARY ITEM AND IS THE PROPERTY OF MICRO SWITCH, A DIVISION OF MINNEAPOLIS-HONEYWELL REGULATOR CO. THIS DRAWING IS NOT TO BE COPIED OR USED WITHOUT THE APPROVAL OF MICRO SWITCH.

CHARACTERISTICS	WITH ISMI BASIC SWITCH INSTALLED
OPERATING FORCE	10 OZ MAX.
RELEASE FORCE	② 2 OZ MIN.
PRETRAVEL	.062 MAX.
DIFFERENTIAL TRAVEL	.015 MAX
OVERTRAVEL	.010 MIN.

ELECTRICAL DATA	
CONTACT ARRANGEMENT	BREAK DISTANCE

SCALE - FULL	
DO NOT SCALE PRINT	
UNLESS OTHERWISE SPECIFIED	
DIMENSIONS ARE IN INCHES	
TOLERANCES ARE:	
ONE PLACE (.0)	±.030
TWO PLACE (.00)	±.015
THREE PLACE (.000)	±.005
ANGLES	± 2°
WEIGHT	