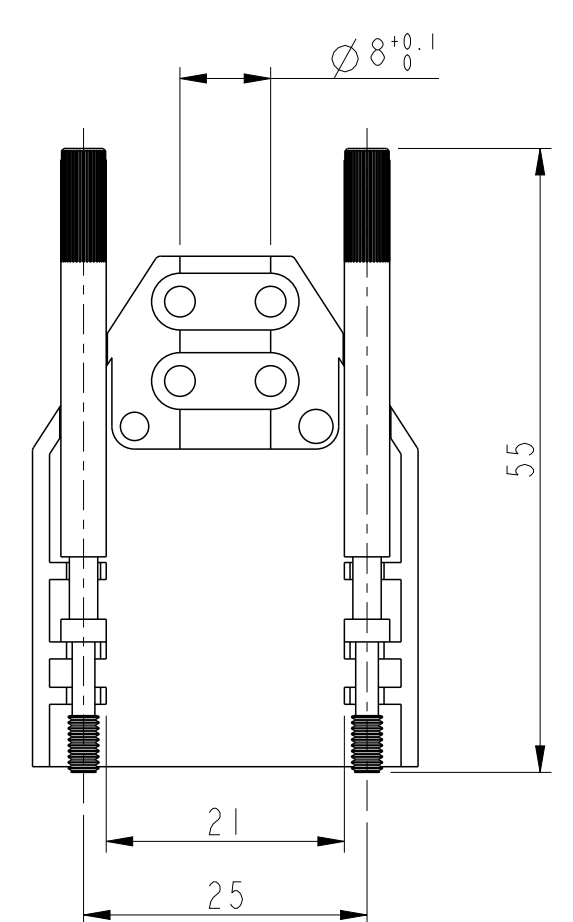
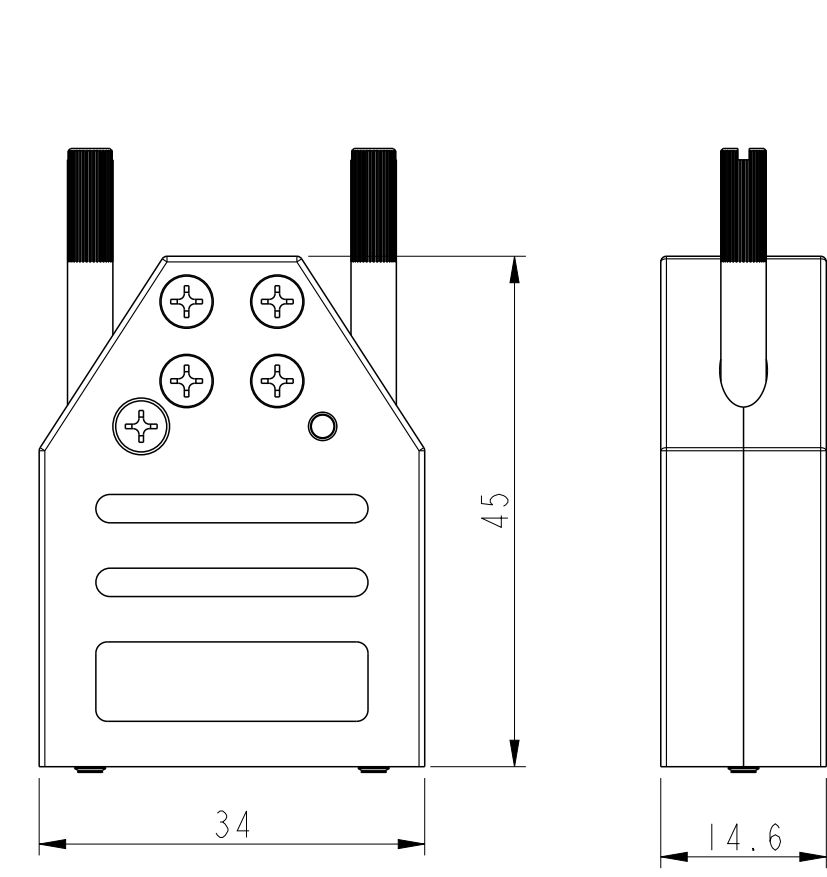
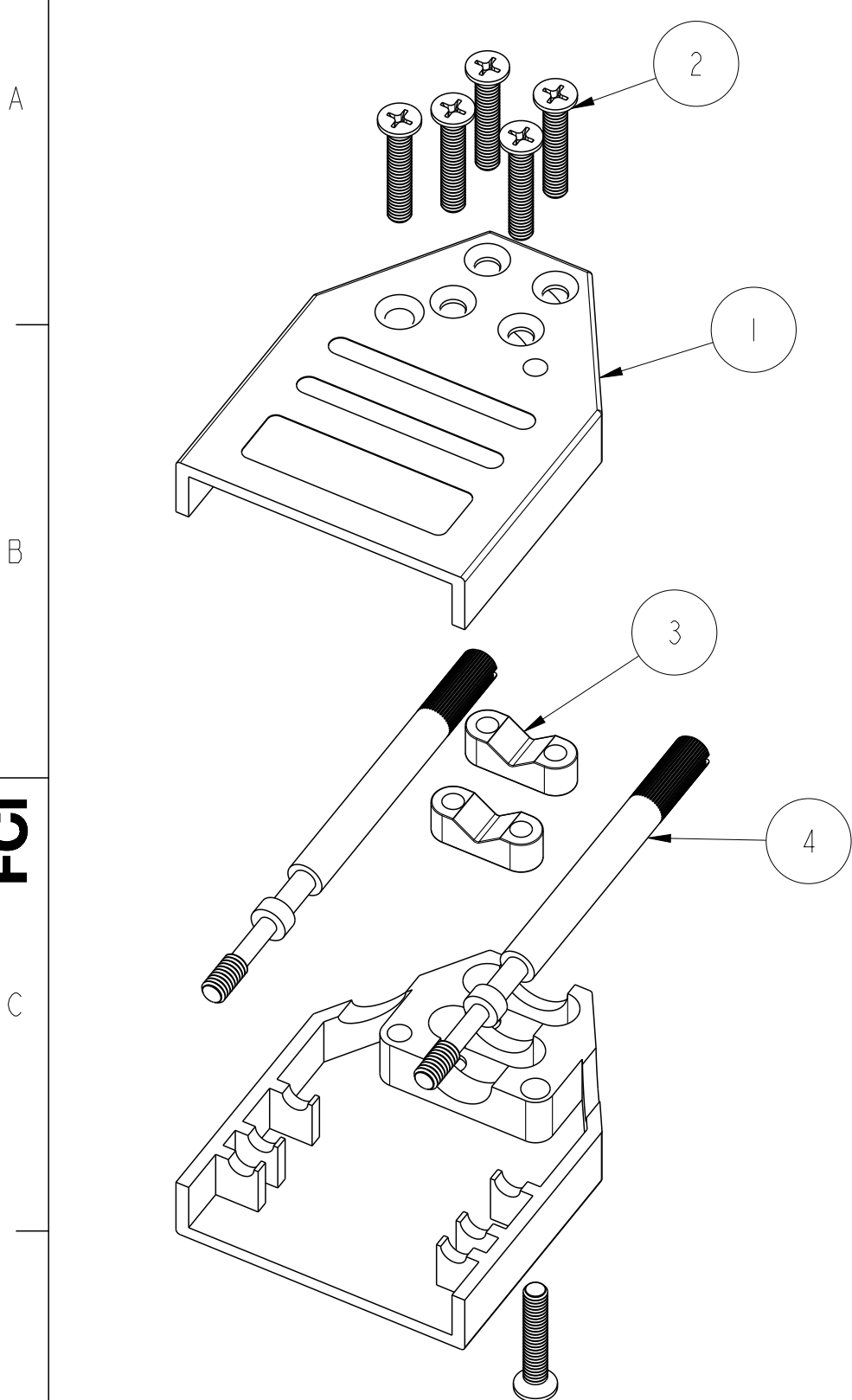
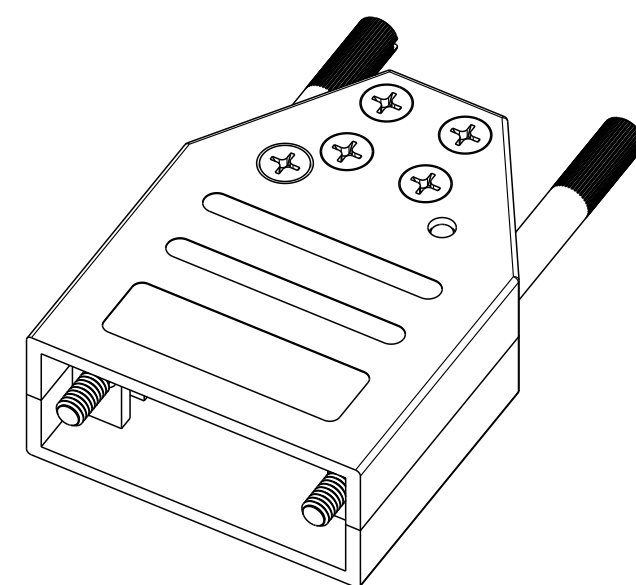


PART NUMBER	PACK	HOOD SIZE
8655BMETIA10KLF	KIT	09



NOTES: (FOR EVERY SIZES)
 1- OPERATING TEMPERATURE: -40°C TO +120°C
 2- INDIVIDUAL KITS SEALED IN PLASTIC COVER IN UNASSEMBLED FORM.
 BOM AS SHOWN IN TABLE

RoHS INFORMATION:
 - THE LF PRODUCT MEETS EUROPEAN UNION DIRECTIVES AND OTHER COUNTRY REGULATIONS AS DESCRIBED IN GS+22-009
 - THE PRODUCT IS NOT INTENDED TO BE EXPOSED TO A MANUFACTURING SOLDER PROCESS



Amphenol FCI
© 2016 AFCI

ITEM NO.	QTY.	PART DESCRIPTION
1	2	COVER SIZE 09
2	6	M2.5x14 COUNTERSUNK SCREW
3	2	CLAMP
4	2	UNC 4-40x55 JACKSCREW

spec ref	-	dr	Dipu Joseph	2020/03/02	projection	mm	size	A3	scale	3:2
tolerance std	ISO 406 ISO 1101	eng	Laurent Mulin	2020/08/24			ecn no	-	rel level	Released
TOLERANCES UNLESS OTHERWISE SPECIFIED		chr	-	-			product family	-	rel level	Released
surface	linear	0.X	±0.3	Amphenol FCI	title DSUB METAL HOOD	dwg no 8655BMxx1A10KLF	rev A	cat. no. - Product - Customer Drw sheet 1 of 5		
		0.XX	±0.10							
	angular	0°	±2°							

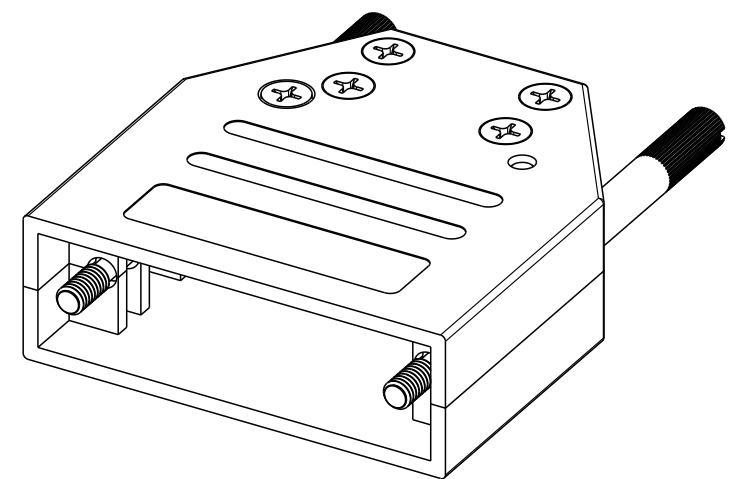
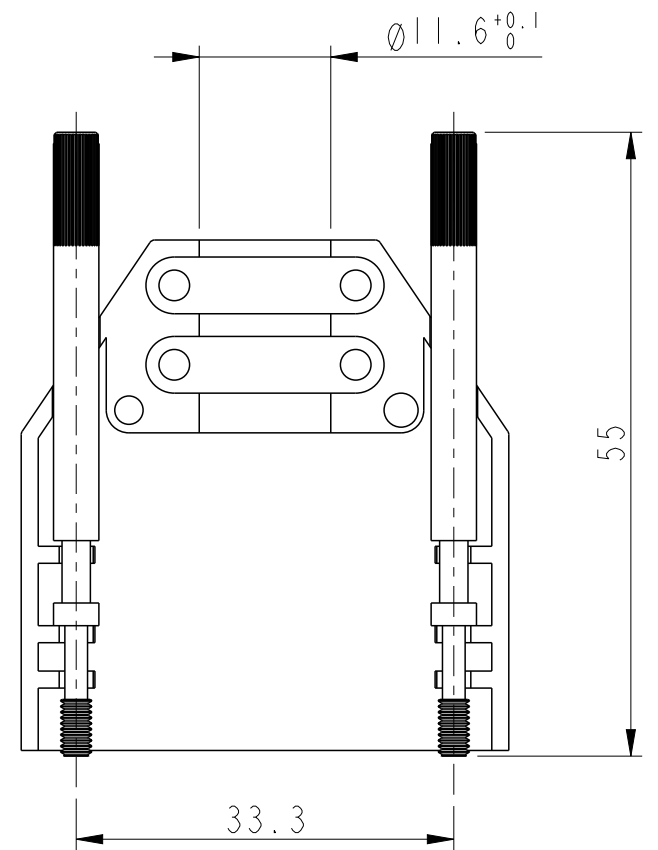
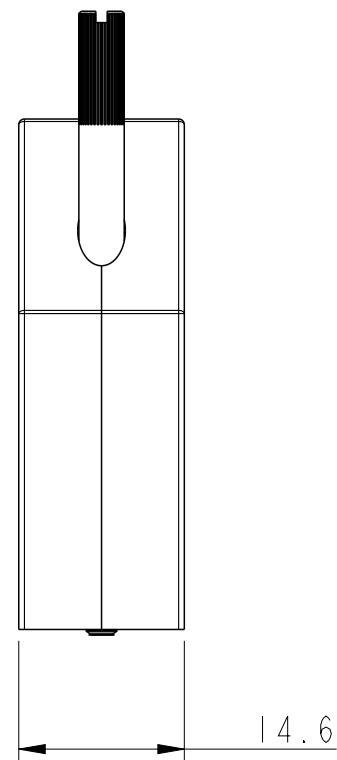
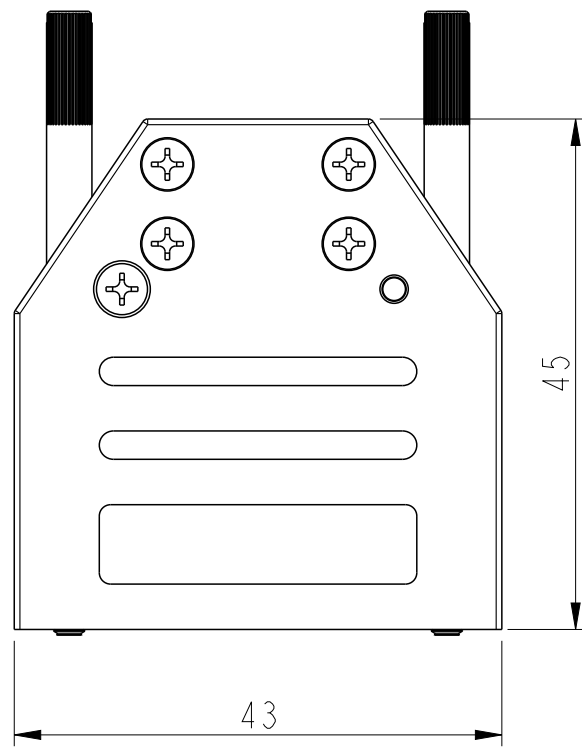
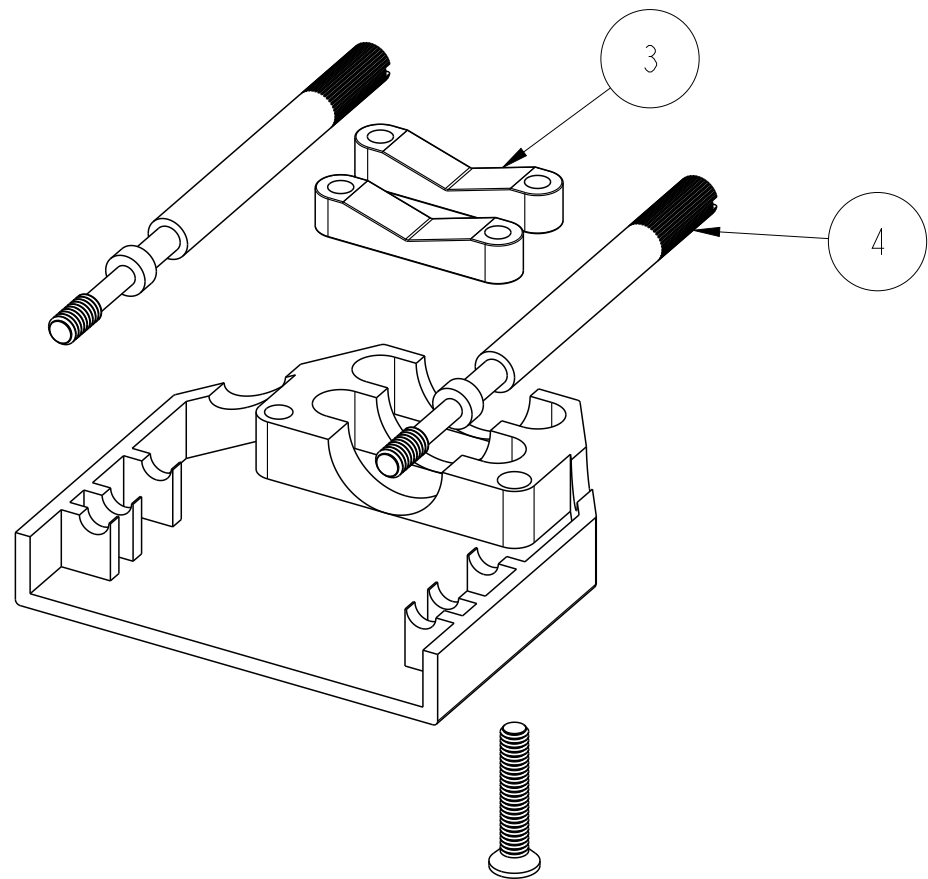
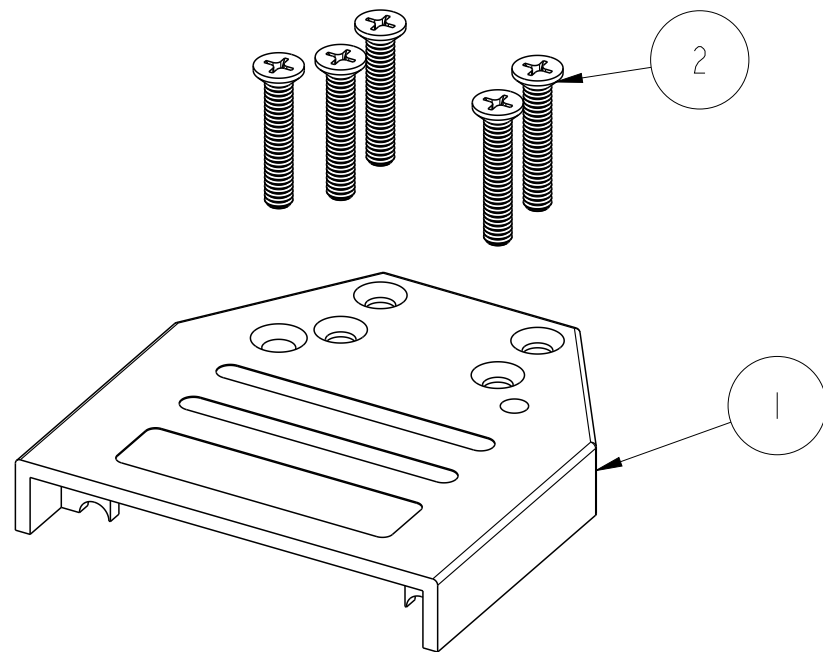
PART NUMBER	PACK	HOOD SIZE
8655BMATIA10KLF	KIT	15

A

B

C

D



A

B

C

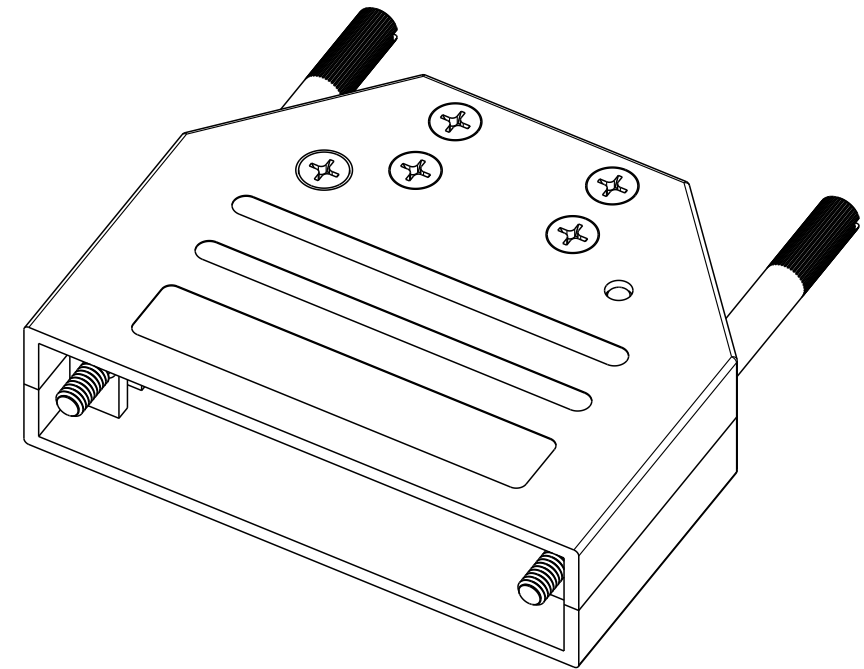
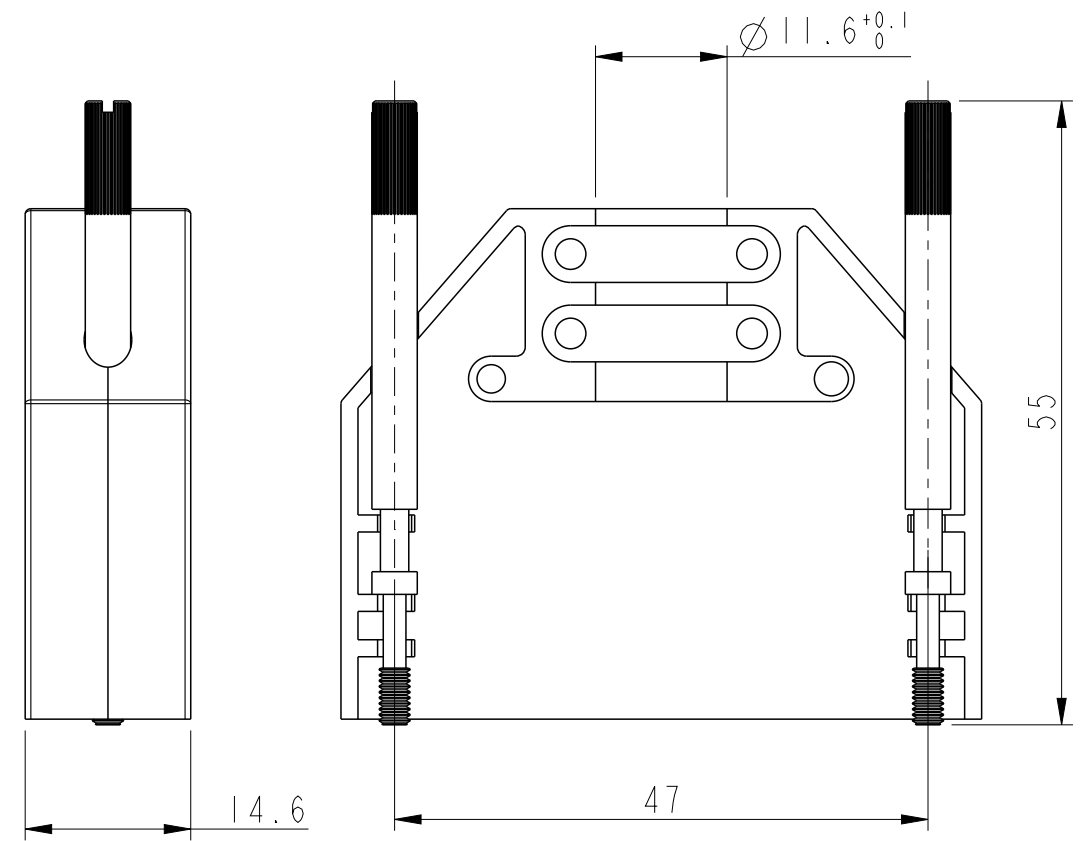
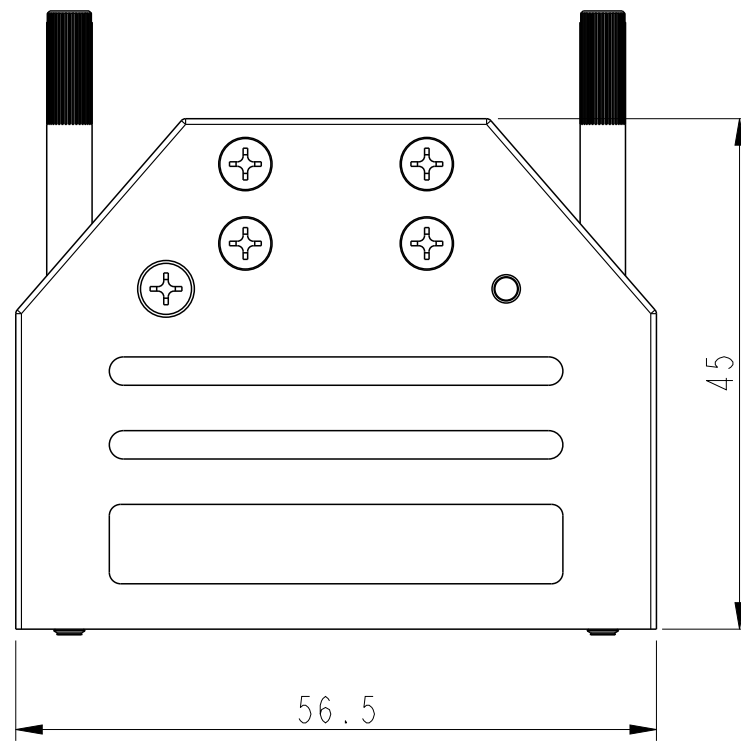
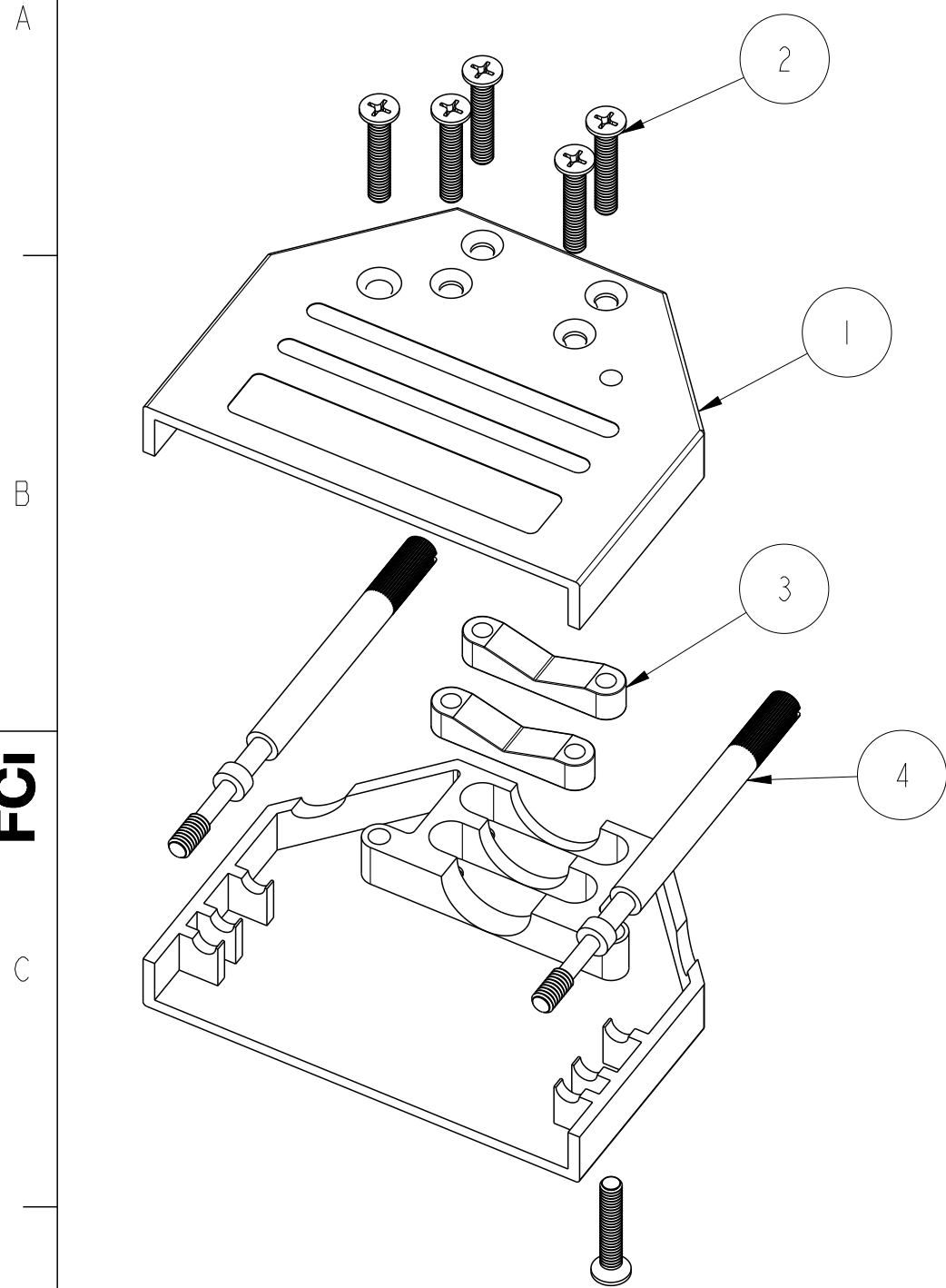
D

ITEM NO.	QTY.	PART DESCRIPTION
1	2	COVER SIZE 15
2	6	M2.5x14 COUNTERSUNK SCREW
3	2	CLAMP
4	2	UNC 4-40x55 JACKSCREW

spec ref	-	dr	Dipu Joseph	2020/03/02
tolerance std	ISO 406 ISO 1101	eng	Laurent Mulin	2020/08/24
	TOLERANCES UNLESS OTHERWISE SPECIFIED	chr	-	-
		appr	Cyril Jeune	2020/08/24
surface	linear	0.X	±0.3	
		0.XX	±0.10	
		0.XXX	±0.005	
	angular	0°	±2°	

projection	mm	size	A3	scale	3:2
product family	-	ecn no	-	rel level	Released
Amphenol FCI	title	DSUB METAL HOOD		dwg no	8655BMxxIA10KLF
cat. no.	-	Product - Customer Drw	rev	A	sheet 2 of 5

PART NUMBER	PACK	HOOD SIZE
8655BMBT1A10KLF	KIT	25

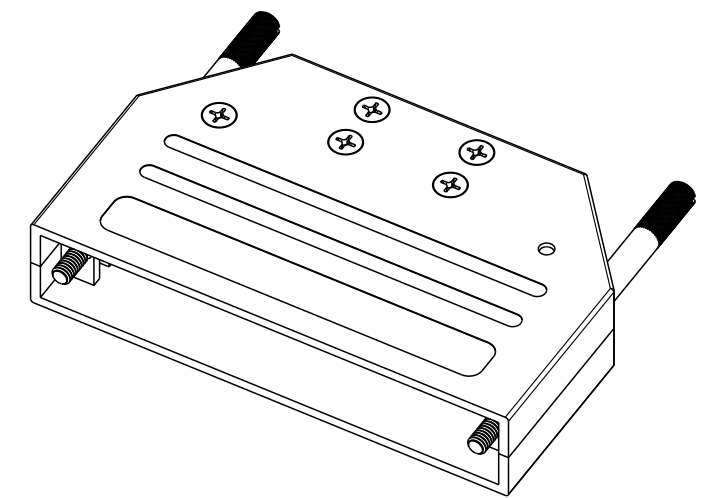
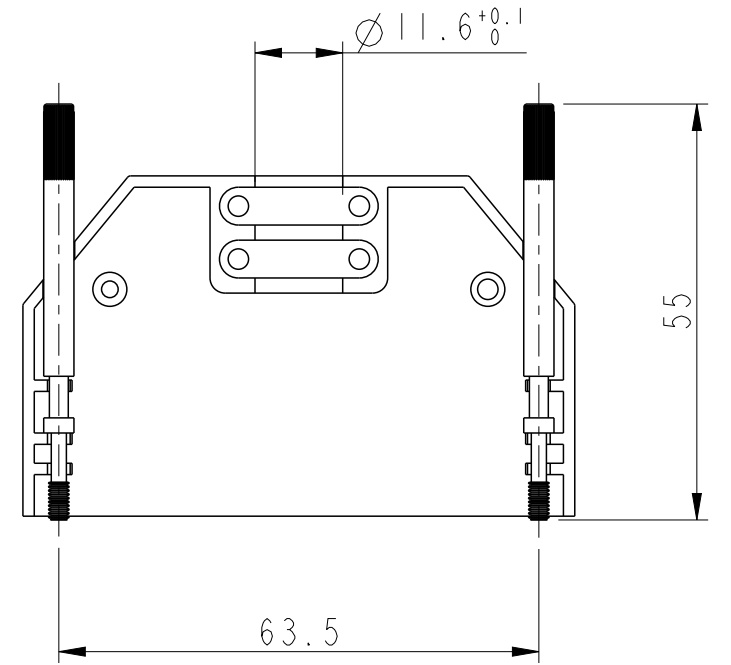
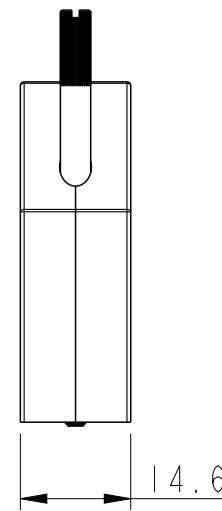
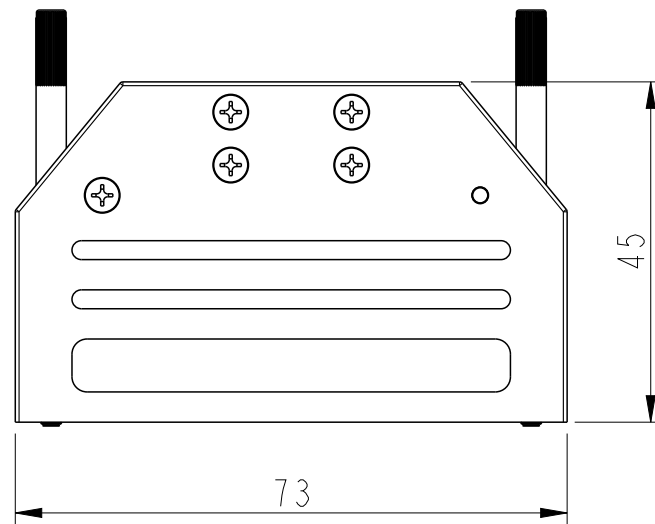
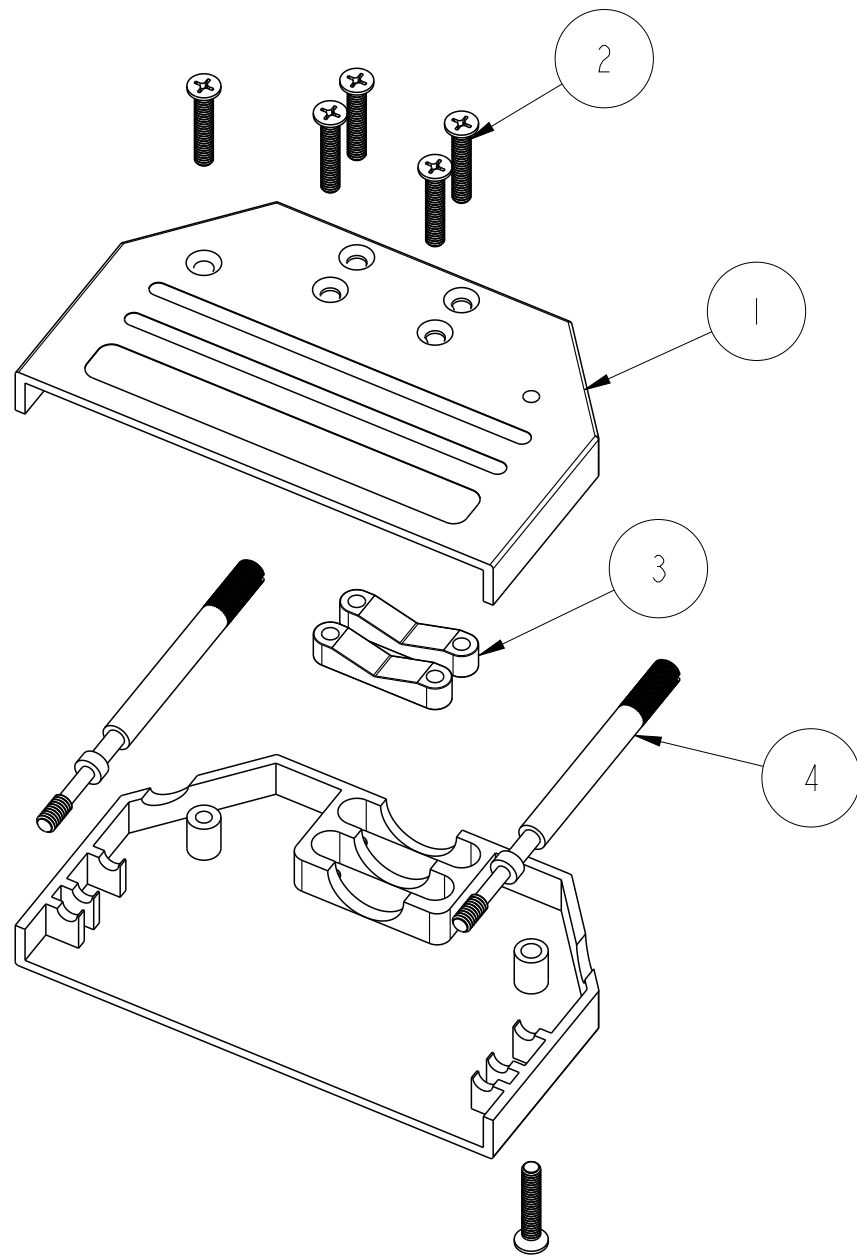


ITEM NO.	QTY.	PART DESCRIPTION
1	2	COVER SIZE 25
2	6	M2.5x14 COUNTERSUNK SCREW
3	2	CLAMP
4	2	UNC 4-40x55 JACKSCREW

spec ref	-	dr	Dipu Joseph	2020/03/02
tolerance std	ISO 406 ISO 1101	eng	Laurent Mulin	2020/08/24
	TOLERANCES UNLESS OTHERWISE SPECIFIED	chr	-	-
surface		appr	Cyril Jeune	2020/08/24
	linear	0.X	±0.3	
		0.XX	±0.10	
		0.XXX	±0.005	
	angular	0°	±2°	

projection	mm	size	A3	scale	3:2
product family	-	ecn no	-	rel level	Released
Amphenol FCI	title	DSUB METAL HOOD		dwg no	8655BMxx1A10KLF
cat. no.	-	Product - Customer Drw	rev	A	sheet 3 of 5

PART NUMBER	PACK	HOOD SIZE
8655BMCTIA10KLF	KIT	37

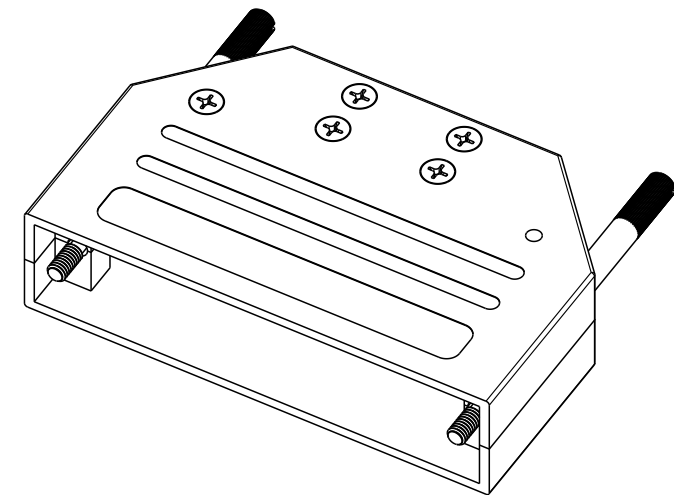
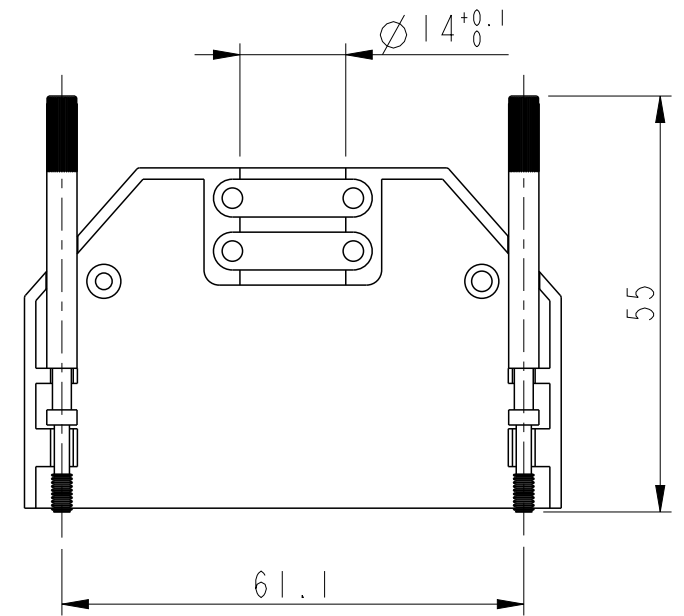
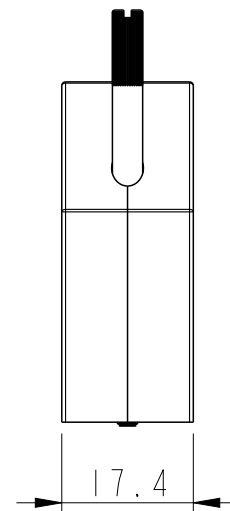
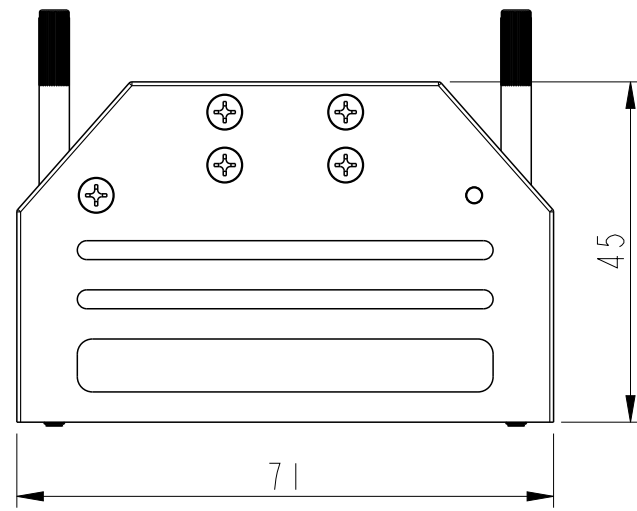
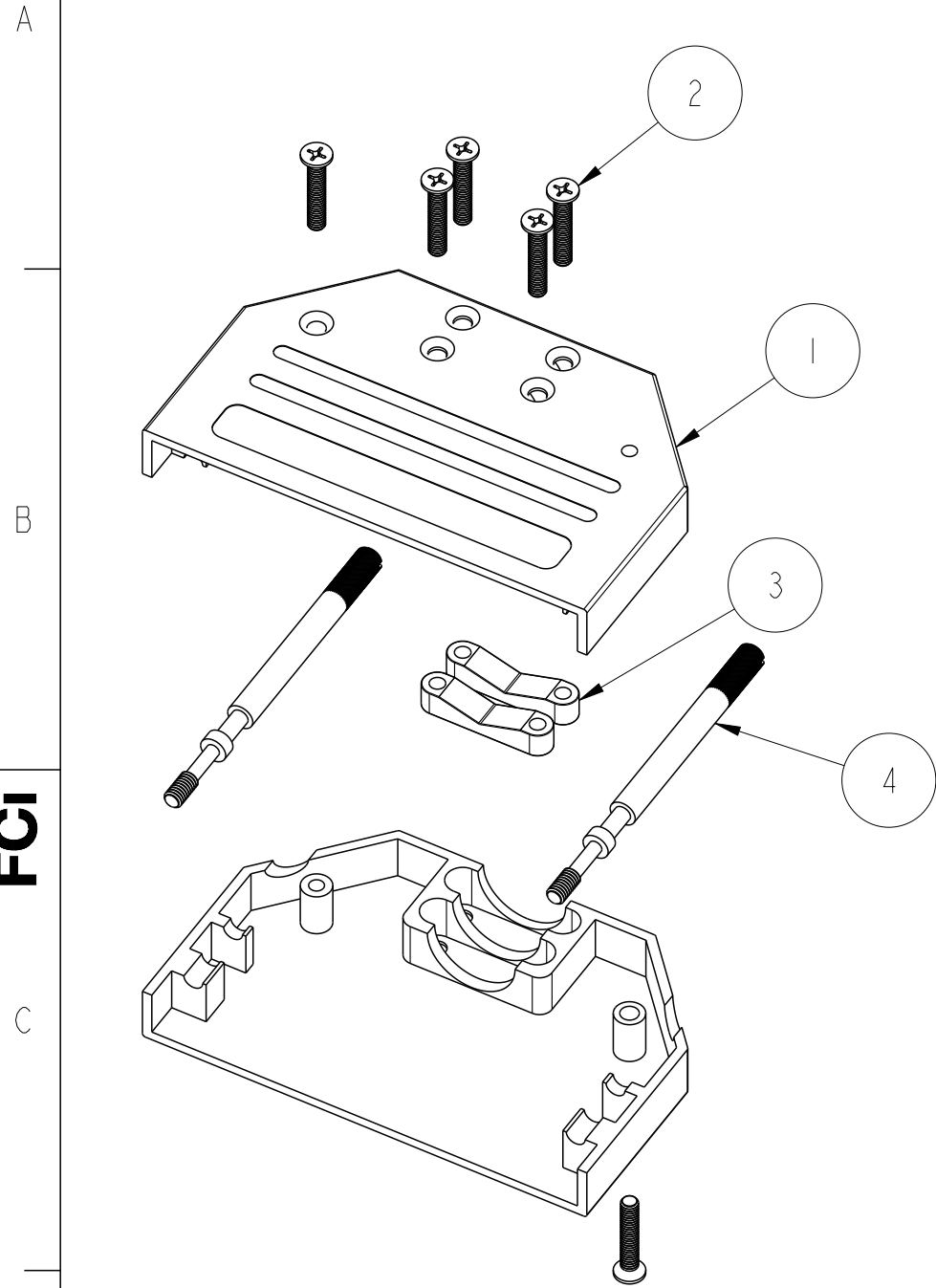


ITEM NO.	QTY.	PART DESCRIPTION
1	2	COVER SIZE 37
2	6	M2.5x14 COUNTERSUNK SCREW
3	2	CLAMP
4	2	UNC 4-40x55 JACKSCREW

spec ref	-	dr	Dipu Joseph	2020/03/02
tolerance std	ISO 406 ISO 1101	eng	Laurent Mulin	2020/08/24
	TOLERANCES UNLESS OTHERWISE SPECIFIED	chr	-	-
		appr	Cyril Jeune	2020/08/24
surface	linear	0.X	±0.3	
		0.XX	±0.10	
		0.XXX	±0.005	
	angular	0°	±2°	

projection	mm	size	A3	scale	1:1
product family	-	ecn no	-	rel level	Released
Amphenol FCI	title	DSUB METAL HOOD	dwg no	8655BMxxIA10KLF	rev
cat. no.	-	Product - Customer Drw	sheet 4 of 5		A

PART NUMBER	PACK	HOOD SIZE
8655BMDT1A10KLF	KIT	50



ITEM NO.	QTY.	PART DESCRIPTION
1	2	COVER SIZE 50
2	6	M2.5x16 COUNTERSUNK SCREW
3	2	CLAMP
4	2	UNC 4-40x55 JACKSCREW

spec ref	-	dr	Dipu Joseph	2020/03/02
tolerance std	ISO 406 ISO 1101	eng	Laurent Mulin	2020/08/24
	TOLERANCES UNLESS OTHERWISE SPECIFIED	chr	-	-
		appr	Cyril Jeune	2020/08/24
surface	linear	0.X	± 0.3	Amphenol FCi
		0.XX	± 0.10	
		0.XXX	± 0.005	
	angular	0°	$\pm 2^\circ$	

projection		size	A3	scale	1:1
mm		ecn no	-	rel level	Released
product family	-	title	DSUB METAL HOOD		rev
		dwg no	8655BMxx1A10KLF		A
cat. no.	-	Product - Customer Drw		sheet 5 of 5	