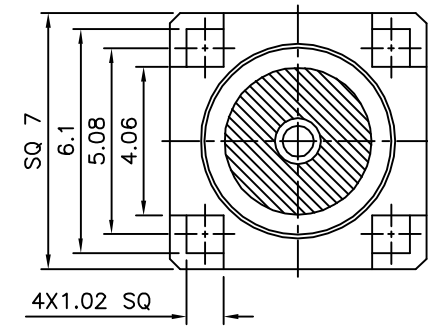
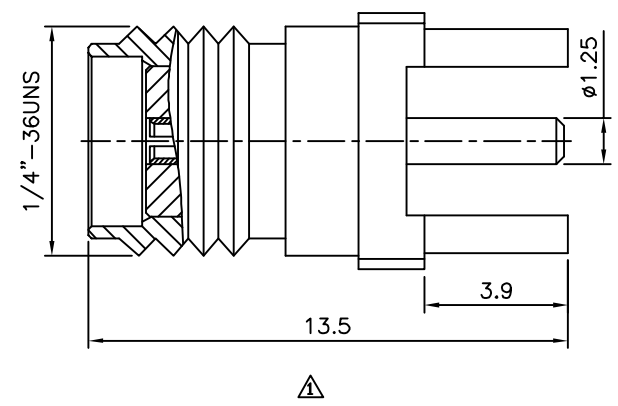


Recommended P.C.B. Layout



SMA - J D 50 - BR - H  
 (1) (2) (3) (4) (5) (6)

- (1) SMA:SMA Connector
- (2) J:Jack
- (3) D:DIP Straight
- (4) 50:50 Ohms
- (5) BR:Brass Body
- (6) H:RoHS Compliant

△ RoHS Compliant

⑤	Press Washer	1	Brass	Gold Plated Over Nickel
④	Insulator	1	Teflon	
③	Center Pin	1	Phosphor Bronze	Gold Plated Over Nickel
②	Insulator	1	Teflon	
①	Body	1	Brass	Gold Plated Over Nickel
No.	Description	Q'ty	Material	Remark

**AUK** A MEMBER OF AUK GROUP  
**太聯事業股份有限公司**  
**AUK CONTRACTORS CO., LTD.**

CATEGORY		APPROVED BY EMILY	
PART No. SMA-JD50-BR-H		CHECKED BY HZF	
DRAWING No. SMA-JD50-BR-H		DRAWING BY YBL	
SCALE	NONE	REV.	A1

UNLESS OTHERWISE SPECIFIED TOLERANCES ARE  
 X. ±0.2  
 .X ±0.2  
 .XX ±0.2

UNIT mm

△ A1	Modify Data	HZF	03/03/2014	
△ A0	NEW RELEASE	HZF	10/19/2010	
NO.	REV.	REVISIONS	CHK	DATE