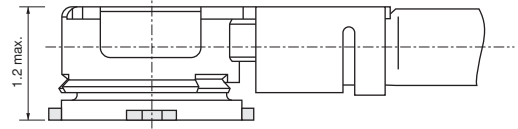
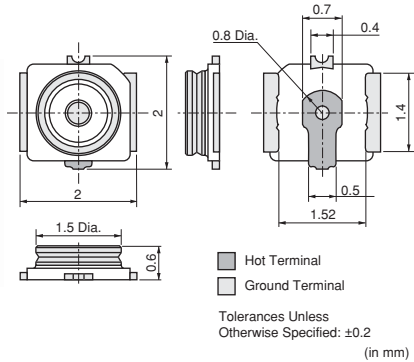


Microwave Coaxial Connectors

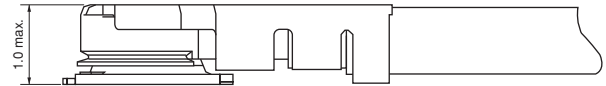
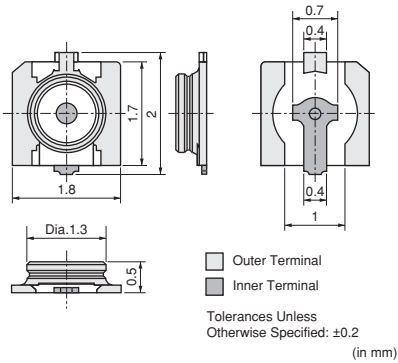
Microwave Coaxial Cable Connectors

MM4829-2702



Dimensions

MM5829-2700



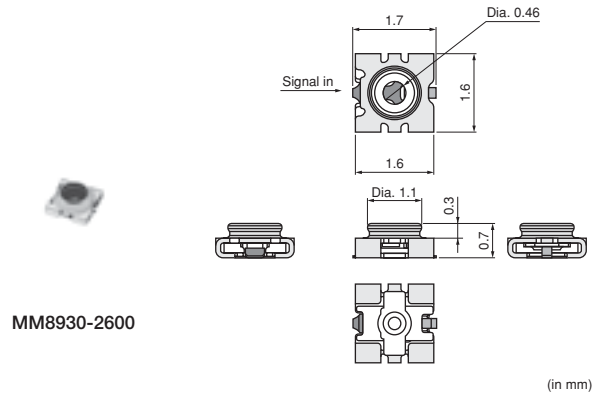
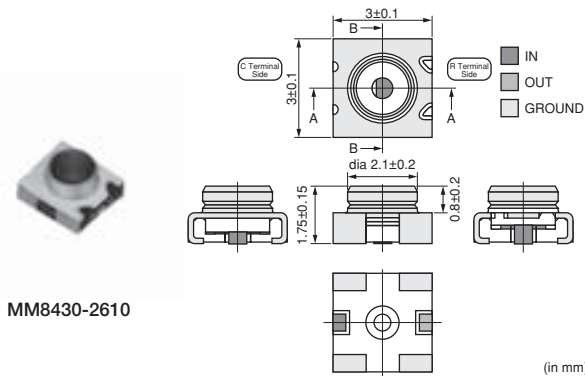
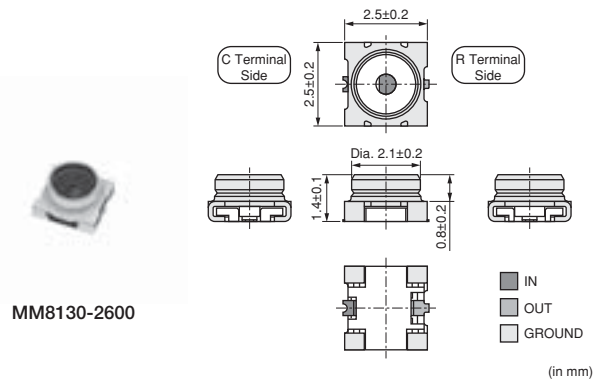
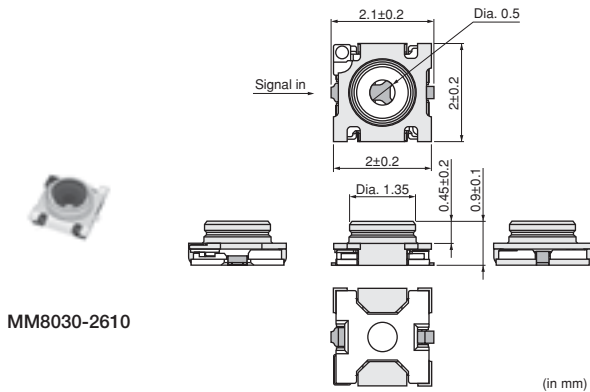
Dimensions

Part Number	Rated Voltage (Vrms)	Frequency Rating (GHz)	Temperature Range	VSWR
MM4829-2702	30	to 6.0	-40 to +85°C	1.3 max. (DC to 3GHz)
MM5829-2700	30	to 12	-40 to +85°C	1.3 max. (DC to 3GHz)
MXHP32_____	30	to 6.0	-40 to +85°C	1.3 max. (DC to 3GHz)
MXJA01_____	30	to 12	-40 to +85°C	1.3 max. (DC to 3GHz)

Impedance: 50ohm

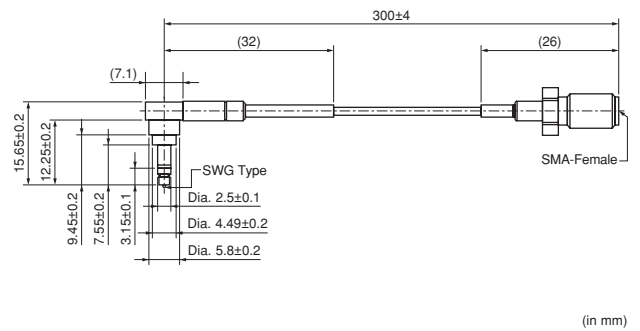
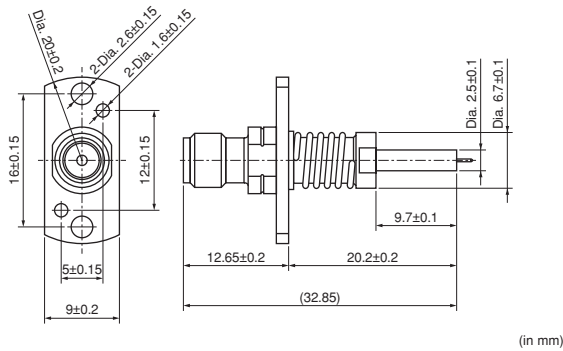
Microwave Coaxial Connectors

Microwave Coaxial Connectors with Switch



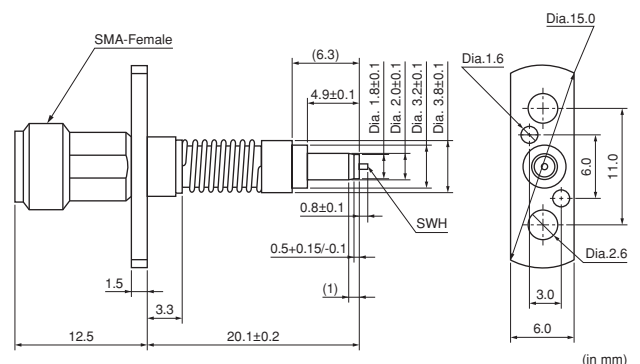
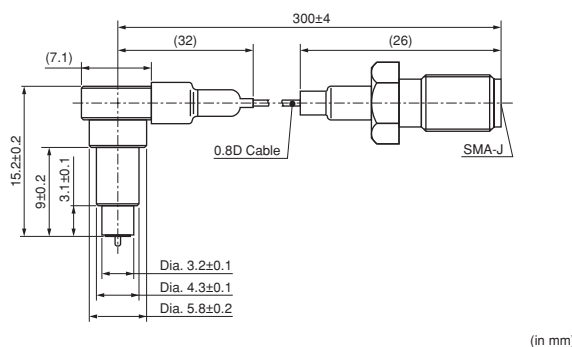
Measurement Probe for MM8030-2610/MM8130-2600/MM8430-2610 (P/N: MM126320)

Measurement Probe for MM8030-2610 (P/N: MXHQ87WJ3000)



Measurement Probe for MM8130-2600/MM8430-2610 (P/N: MXHS83QE3000)

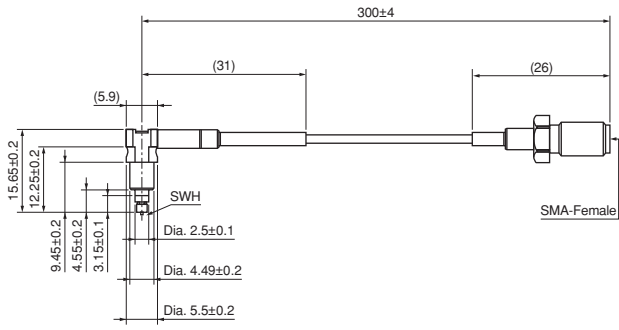
Measurement Probe for MM8930-2600 (P/N: MM126515)



⚠Note • Please read rating and ⚠CAUTION (for storage, operating, rating, soldering, mounting and handling) in this catalog to prevent smoking and/or burning, etc.
 • This catalog has only typical specifications. Therefore, please approve our product specifications or transact the approval sheet for product specifications before ordering.

☐ Continued from the preceding page.

**Measurement Probe for MM8930-2600
 (P/N: MXHQ87PA3000)**



(in mm)

Part Number	Rated Voltage (Vrms)	Frequency Rating (GHz)	Temperature Range	VSWR
MM8030-2610	30	to 11	-40 to +85°C	1.2 max. (DC to 3GHz)
MM8130-2600	30	to 6	-40 to +85°C	1.2 max. (DC to 3GHz)
MM8430-2610	30	to 6	-40 to +85°C	1.2 max. (DC to 3GHz)
MM8930-2600	30	to 6	-40 to +85°C	1.2 max. (DC to 3GHz)

Impedance: 50ohm

Mouser Electronics

Authorized Distributor

Click to View Pricing, Inventory, Delivery & Lifecycle Information:

[Murata:](#)

[MM8130-2600RB8](#) [MM5829-2700RJ4](#) [MM8930-2600RJ4](#) [MM8930-2600RK0](#)