



# Product Overview

## LPRS-ANTB-5G-SMA

### 5G Cellular Antenna



#### Product Overview

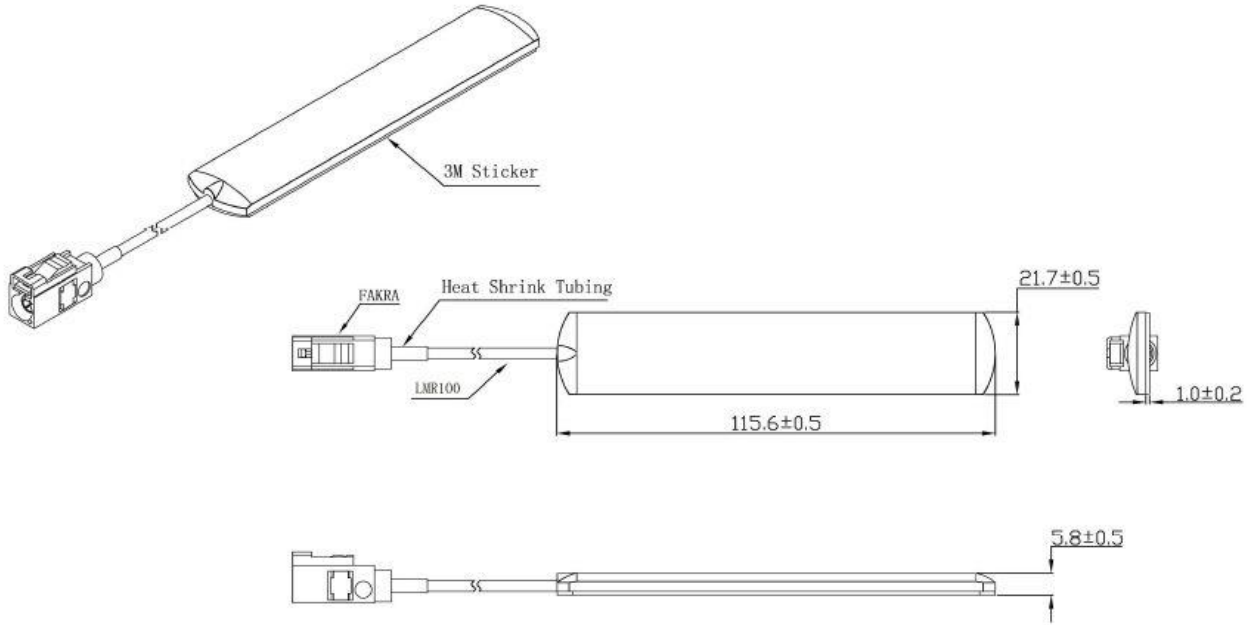
This 5G antenna is also compatible with 2G/3G/4G and ideally suited to cellular applications. Includes 3 meters of RG174 cable and an adhesive backing for quick and easy mounting. Available with SMA or FAKRA connectors.

#### Product Specifications

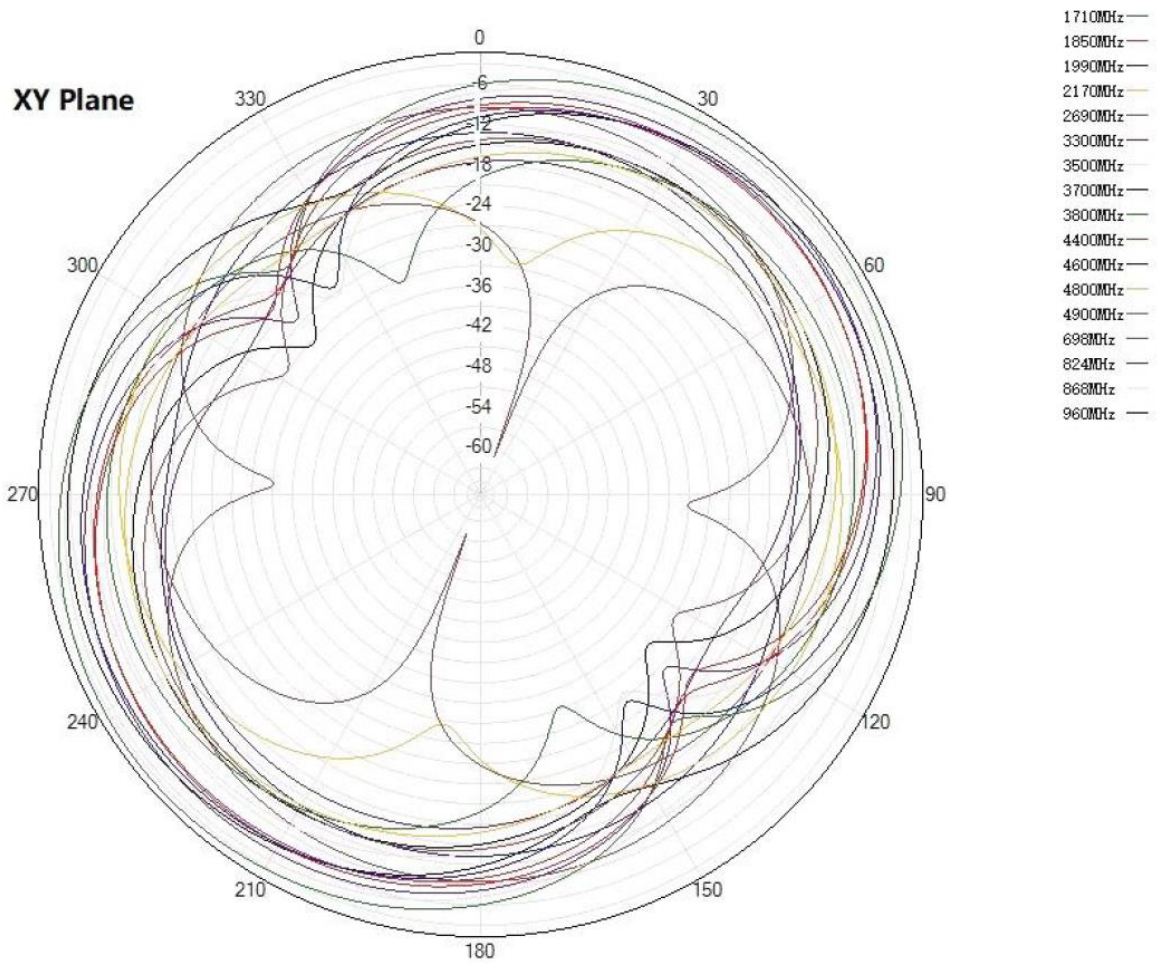
Item		Specifications
Antenna	Frequency	617~960/1710~2690/ 3300~3800/4400~4900MHz
	Polarization	Linear
	Gain	2dBi
	V.S.W.R	< 3.0
	Impedance	50 Ω
	Connector	SMA male/FAKRA
Environmental & Mechanical	Operating Temp.	-40°C ~+85°C
	Vibration	10 to 50Hz with 1.5mm amplitude 2 hours
	Dimensions	105 x 18 x 1 mm
	Mounting	3M Self-adhesive
	Material	ABS
	Cable	RG174
		RoHS Compliant



## Dimensions

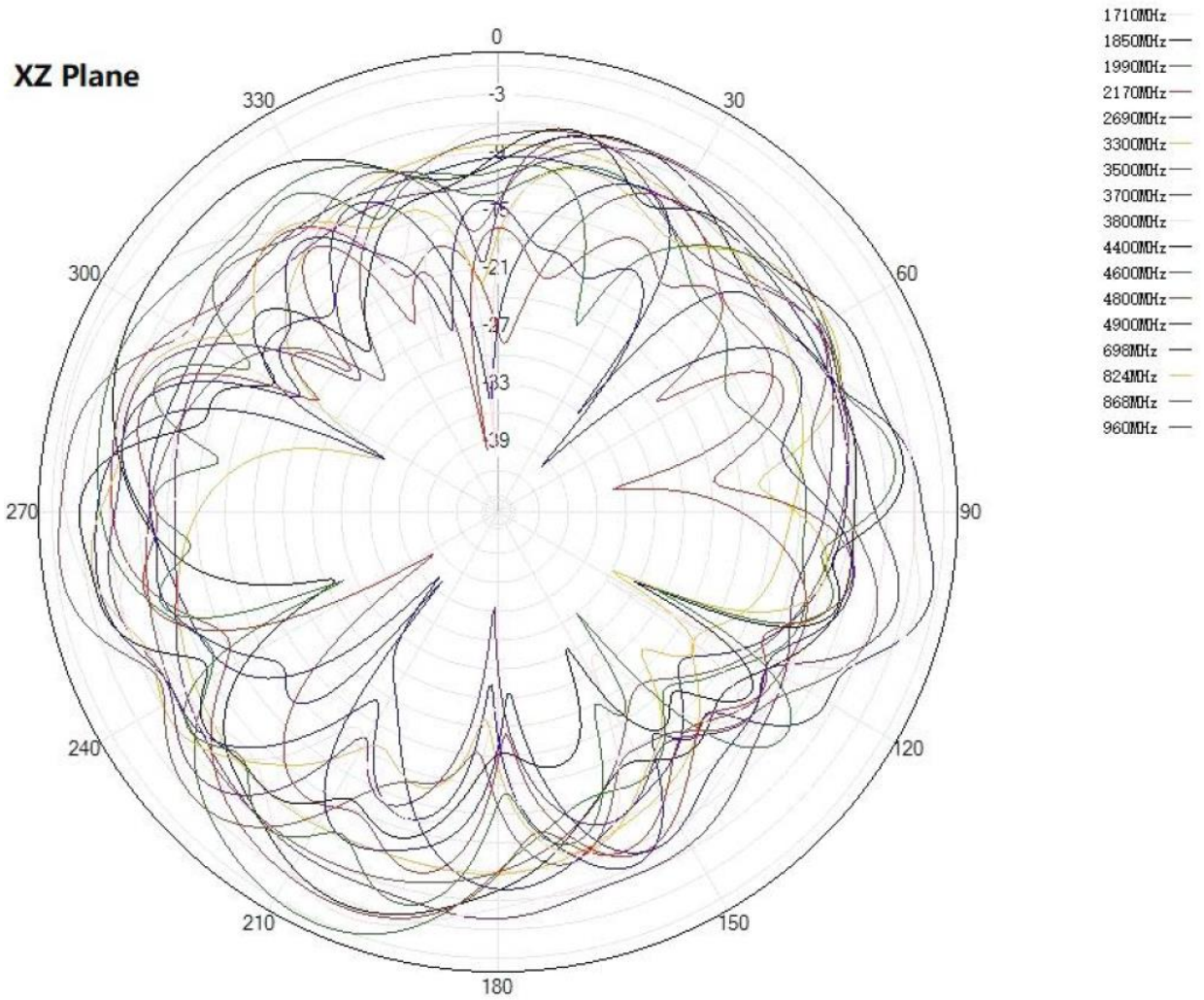


## Radiation Pattern XY



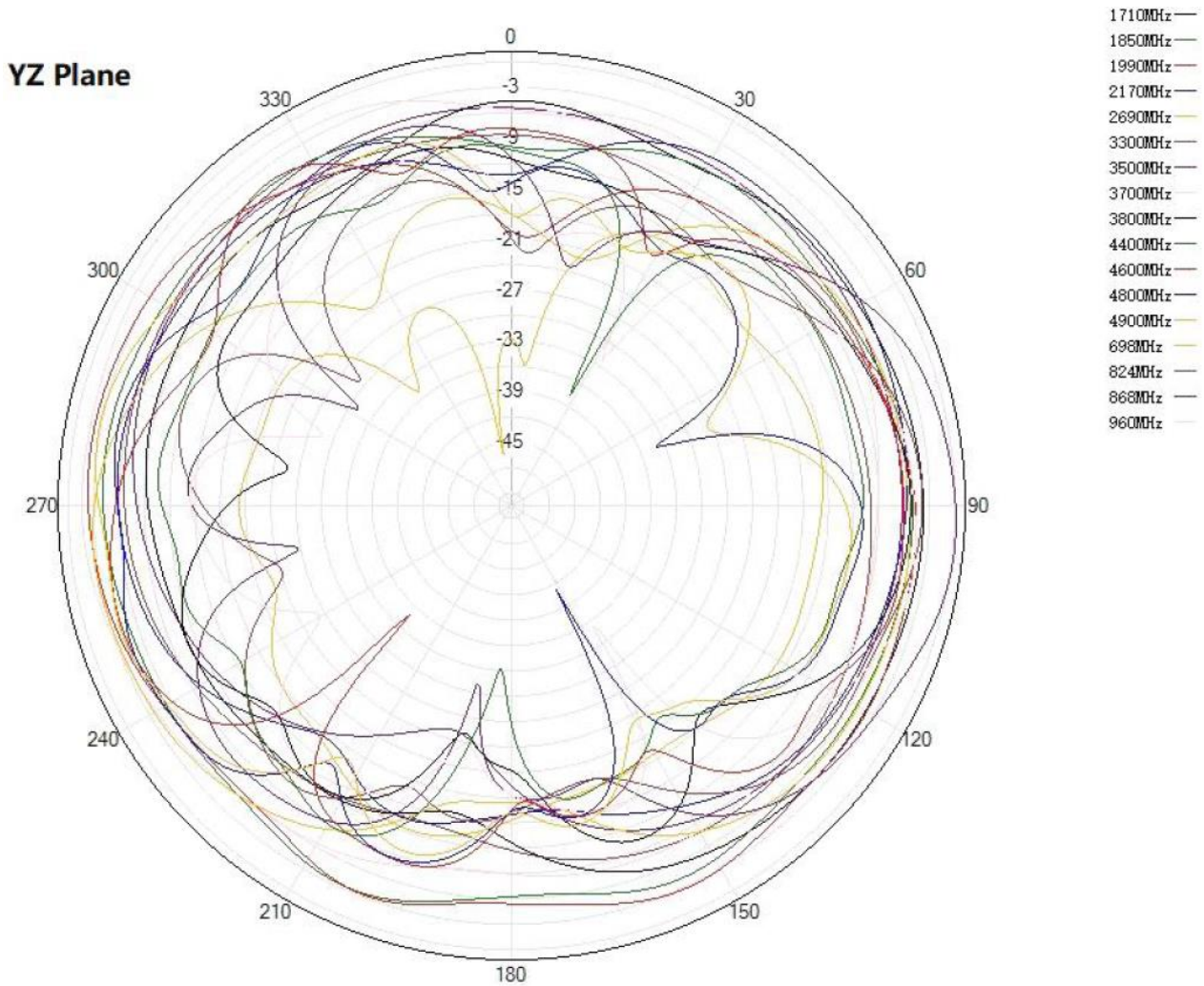
**Low Power Radio Solutions Ltd**  
 Two Rivers industrial Estate  
 Station Lane, Witney OX28 4BH, UK  
 +44(0) 1993 709418  
 sales@lprs.co.uk

# Radiation Pattern XZ



**Low Power Radio Solutions Ltd**  
Two Rivers industrial Estate  
Station Lane, Witney OX28 4BH, UK  
+44(0) 1993 709418  
sales@lprs.co.uk

## Radiation Pattern YZ



## Product Order Code

Name	Description	Order Code
5G antenna	5G adhesive Cellular Antenna	LPRS-ANTB-5G-SMA

## Accessories

Description	Order code
PCB mount SMA jack	SMACONNECTOR
Right-angled SMA Jack	SMARACONNECTOR
SMA Bulkhead Jack	SMAENDBLKHD-JK



**Low Power Radio Solutions Ltd**  
 Two Rivers industrial Estate  
 Station Lane, Witney OX28 4BH, UK  
 +44(0) 1993 709418  
 sales@lprs.co.uk