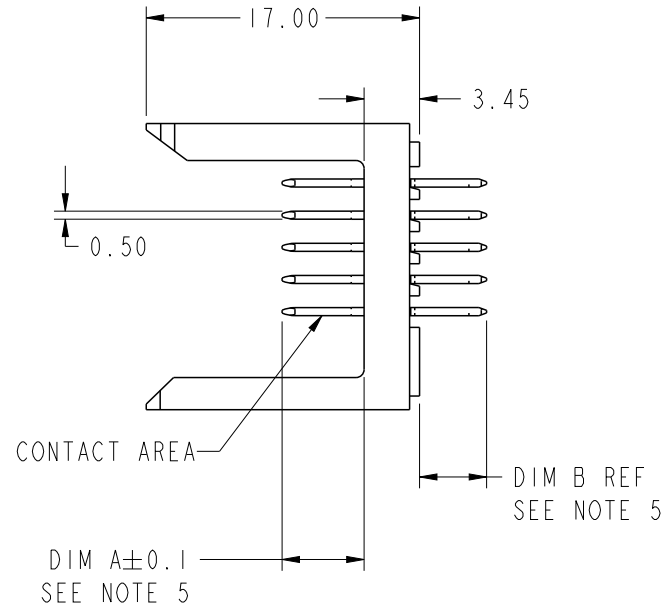
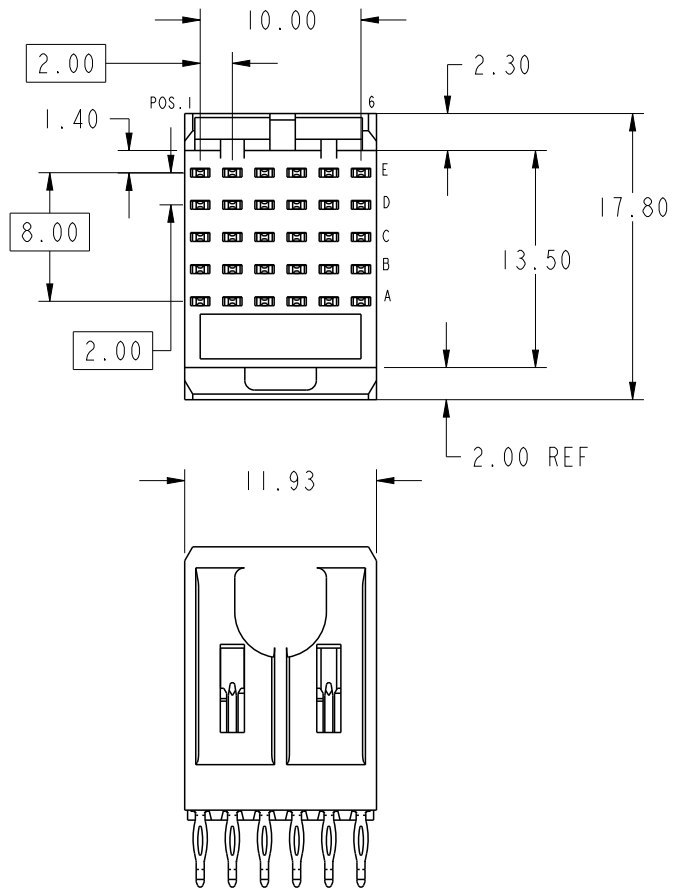
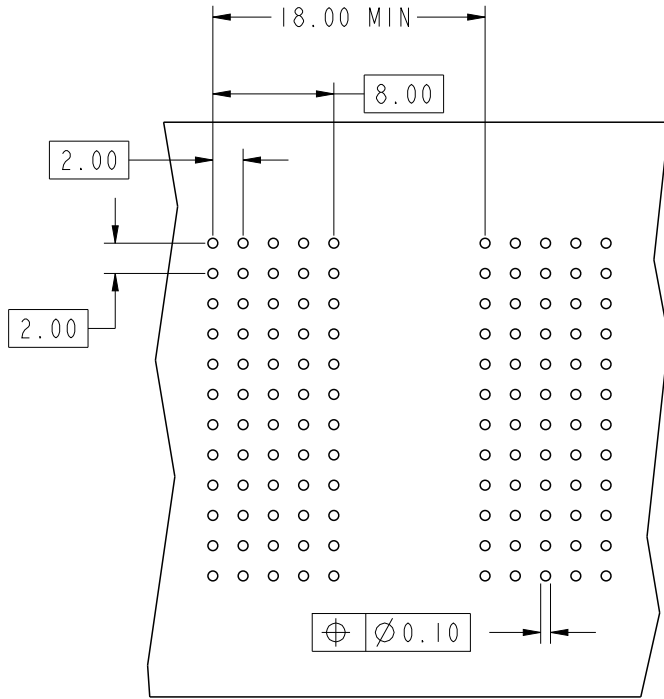


PRODUCT NUMBER
89006-XYLFF



spec ref *		dr Terran Huang		2010/07/09		projection 	mm ←→	size	A4	scale	2:1	
tolerance std		eng Rahul Mohan-M		2021/04/08				ecn no	ELX-I-40564-1			
ISO 406 ISO 1101		chr -		-				rel level	Released			
surface 3.200		linear		0.X ±0.3		product family		METRAL		rev		
				0.XX ±0.13		title		METRAL SIGNAL HEADER		dwg no		
				0.XXX ±.050		1 MOD, 5 ROW PRESS-FIT		89006		BR		
ISO 1302		angular		0° ±2°		cat. no.		-		Product - Customer Drw		
		www.fci.com								sheet 1 of 10		

Creo F:14:ELX-FCI:AC,REV F,2020-12-21



REQUIRED PC BOARD LAYOUT
COMPONENT SIDE
SEE PRINT 58351 FOR
ADDITIONAL PCB INFORMATION

KEY		
CODE	DIMENSIONS	
	DIM "A" MATE	DIM "B" TAIL
1	5.00	4.30
2	5.75	4.30
3	6.50	4.30
4	7.25	4.30
5	5.00	13.60
6	5.75	13.60
7	6.50	13.60
8	7.25	13.60
9	5.00	17.00
10	5.75	17.00
11	6.50	17.00
12	7.25	17.00
13	8.25	4.30
14	8.25	13.60
15	8.25	17.00
16	7.00	4.30
17	7.00	13.60
18	7.00	17.00
19	8.00	4.30
20	8.00	13.60
21	8.00	17.00
59	5.00	11.80

spec ref	*	dr	Terran Huang	2010/07/09	projection 	mm 	size	A4	scale	2:1
tolerance std	TOLERANCES UNLESS OTHERWISE SPECIFIED	eng	Rahul Mohan-M	2021/04/08			ecn no	ELX-I-40564-1		
ISO 406 ISO 1101		chr	-	-			rel level	Released		
surface	3.200 linear	appr	Kuriakose, San	2021/04/15	product family	METRAL	rev			
	0.X	±0.3	Amphenol FCI	title	METRAL SIGNAL HEADER	dwg no	89006	rev	BR	
	0.XX	±0.13								
	0.XXX	±0.050								
ISO 1302	angular	0°	±2°	www.fci.com	cat. no.	-	Product - Customer Drw	sheet 2 of 10		

Creo F-114-ELX-FCI-AC, REV F, 2020-12-21

METRAL P/N	ROW	CONTACT CODE MOD. I						METRAL P/N	ROW	CONTACT CODE MOD. I						METRAL P/N	ROW	CONTACT CODE MOD. I						METRAL P/N	ROW	CONTACT CODE MOD. I						METRAL P/N	ROW	CONTACT CODE MOD. I												
		1	2	3	4	5	6			1	2	3	4	5	6			1	2	3	4	5	6			1	2	3	4	5	6			1	2	3	4	5	6	1	2	3	4	5	6	
89006-X10LF	E	I	I	I	I	I	89006-X14LF	E	4	4	4	4	4	4	89006-X19LF	E	4	4	4	4	4	4	89006-X23LF	E	8	8	8	8	8	8	89006-X27LF	E	6	6	6	6	6	6	89006-X32LF	E	12	12	12	12	12	12
	D	I	I	I	I	I		D	3	3	3	3	3	3		D	4	4	4	4	4	4		D	20	20	20	20	20	20		D	6	6	6	6	6	6		D	11	11	11	11	11	11
	C	I	I	I	I	I		C	4	4	4	4	4	4		C	4	4	4	4	4	4		C	8	8	8	8	8	8		C	6	6	6	6	6	6		C	11	11	11	11	11	11
	B	I	I	I	I	I		B	4	4	4	4	4	4		B	4	4	4	4	4	4		B	8	8	8	8	8	8		B	6	6	6	6	6	6		B	9	9	9	9	9	9
	A	I	I	I	I	I		A	4	4	4	4	4	4		A	4	4	4	4	4	4		A	8	8	8	8	8	8		A	20	20	20	20	20	20		A	9	9	9	9	9	9

spec ref	*	dr	Terran Huang	2010/07/09		projection		size	A4	scale	1:1
tolerance std	TOLERANCES UNLESS OTHERWISE SPECIFIED ISO 406 ISO 1101	eng	Rahul Mohan-M	2021/04/08		product family METRAL		ecn no	ELX-I-40564-1		
surface		3.200	chr	-				rel level	Released		
ISO 1302		inear 0.X ±0.3 0.XX ±0.13 0.XXX ±.050 angular 0° ±2°	appr	Kuriakose, San				2021/04/15	rev BR		
surface 3.200 ISO 1302		Amphenol FCI www.fci.com		METRAL SIGNAL HEADER 1 MOD, 5 ROW PRESS-FIT		dwg no 89006		Product - Customer Draw sheet 3 of 10			

METRAL P/N	ROW	CONTACT CODE MOD. I					
		1	2	3	4	5	6
89006-X36LF	E	10	10	10	10	10	10
	D	10	10	10	10	10	10
	C	10	10	10	10	10	10
	B	10	10	10	10	10	10
	A	10	10	10	10	10	10
89006-X41LF	E	2	2	2	2	2	2
	D	1	1	1	1	1	1
	C	2	2	2	2	2	2
	B	2	2	2	2	2	2
	A	3	3	3	3	3	3
89006-X45LF	E	1	1	1	1	1	1
	D	19	19	19	19	19	19
	C	1	1	1	1	1	1
	B	19	19	19	19	19	19
	A	1	1	1	1	1	1
89006-X49LF	E	4	4	4	4	4	4
	D	3	3	3	3	3	3
	C	3	3	3	3	3	3
	B	3	3	3	3	3	3
	A	19	19	19	19	19	19
89006-X53LF	E	6	6	6	6	6	6
	D	6	6	6	6	6	6
	C	6	6	6	6	6	6
	B	6	6	6	6	6	6
	A	8	8	8	8	8	8
89006-X57LF	E	6	6	6	6	6	6
	D	7	7	7	7	7	7
	C	6	6	6	6	6	6
	B	6	6	6	6	6	6
	A	7	7	7	7	7	7
89006-X37LF	E	10	10	10	10	10	10
	D	10	10	10	10	10	10
	C	10	10	10	10	10	10
	B	10	10	10	10	10	10
	A	21	21	21	21	21	21
89006-X42LF	E	2	2	2	2	2	2
	D	4	4	4	4	4	4
	C	4	4	4	4	4	4
	B	3	3	3	3	3	3
	A	4	4	4	4	4	4
89006-X46LF	E	2	2	2	2	2	2
	D	2	2	2	2	2	2
	C	4	4	4	4	4	4
	B	2	2	2	2	2	2
	A	2	2	2	2	2	2
89006-X50LF	E	6	6	6	6	6	6
	D	6	6	6	6	6	6
	C	6	6	6	6	6	6
	B	8	8	8	8	8	8
	A	6	6	6	6	6	6
89006-X54LF	E	5	5	5	5	5	5
	D	7	7	7	7	7	7
	C	8	8	8	8	8	8
	B	7	7	7	7	7	7
	A	5	5	5	5	5	5
89006-X39LF	E	12	12	12	12	12	12
	D	12	12	12	12	12	12
	C	12	12	12	12	12	12
	B	12	12	12	12	12	12
	A	12	12	12	12	12	12
89006-X43LF	E	2	2	2	2	2	2
	D	2	2	2	2	2	2
	C	2	2	2	2	2	2
	B	2	2	2	2	2	2
	A	4	4	4	4	4	4
89006-X47LF	E	2	2	2	2	2	2
	D	3	3	3	3	3	3
	C	2	2	2	2	2	2
	B	2	2	2	2	2	2
	A	3	3	3	3	3	3
89006-X51LF	E	6	6	6	6	6	6
	D	5	5	5	5	5	5
	C	6	6	6	6	6	6
	B	6	6	6	6	6	6
	A	7	7	7	7	7	7
89006-X55LF	E	5	5	5	5	5	5
	D	20	20	20	20	20	20
	C	5	5	5	5	5	5
	B	20	20	20	20	20	20
	A	5	5	5	5	5	5
89006-X40LF	E	2	2	2	2	2	2
	D	2	2	2	2	2	2
	C	2	2	2	2	2	2
	B	4	4	4	4	4	4
	A	2	2	2	2	2	2
89006-X44LF	E	1	1	1	1	1	1
	D	3	3	3	3	3	3
	C	4	4	4	4	4	4
	B	3	3	3	3	3	3
	A	1	1	1	1	1	1
89006-X48LF	E	19	19	19	19	19	19
	D	19	19	19	19	19	19
	C	19	19	19	19	19	19
	B	19	19	19	19	19	19
	A	19	19	19	19	19	19
89006-X52LF	E	6	6	6	6	6	6
	D	8	8	8	8	8	8
	C	8	8	8	8	8	8
	B	7	7	7	7	7	7
	A	8	8	8	8	8	8
89006-X56LF	E	6	6	6	6	6	6
	D	6	6	6	6	6	6
	C	8	8	8	8	8	8
	B	6	6	6	6	6	6
	A	6	6	6	6	6	6
89006-X60LF	E	10	10	10	10	10	10
	D	10	10	10	10	10	10
	C	10	10	10	10	10	10
	B	12	12	12	12	12	12
	A	10	10	10	10	10	10

spec ref *		dr Terran Huang	2010/07/09			size A4	scale 1:1
tolerance std ISO 406 ISO 1101		eng Rahul Mohan-M	2021/04/08			ecn no ELX-I-40564-1	
TOLERANCES UNLESS OTHERWISE SPECIFIED		chr -	-			rel level Released	
		appr Kuriakose, San		2021/04/15	product family METRAL		
surface 3.200	linear	0.X	±0.3		METRAL SIGNAL HEADER 1 MOD, 5 ROW PRESS-FIT	dwg no 89006	rev BR
		0.XX	±0.13				
		0.XXX	±.050				
	angular	0°	±2°	www.fci.com		cat. no. - Product - Customer Drw	
ISO 1302				sheet 4 of 10			

Creo F-114; ELX-NC; AC; REV F; 2020-12-21

METRAL P/N	ROW	CONTACT CODE MOD. I						METRAL P/N	ROW	CONTACT CODE MOD. I						METRAL P/N	ROW	CONTACT CODE MOD. I						METRAL P/N	ROW	CONTACT CODE MOD. I						METRAL P/N	ROW	CONTACT CODE MOD. I													
		1	2	3	4	5	6			1	2	3	4	5	6			1	2	3	4	5	6			1	2	3	4	5	6			1	2	3	4	5	6								
89006-X61LF	E	10	10	10	10	10	10	89006-X65LF	E	9	9	9	9	9	9	89006-X69LF	E	12	12	12	12	12	12	89006-X73LF	E	4	4	4	4	4	4	89006-X77LF	E	3	3	3	3	3	3	89006-X81LF	E	7	7	7	7	7	7
	D	9	9	9	9	9	9		D	21	21	21	21	21	D		11	11	11	11	11	11	D		4	4	4	4	4	4	D		19	19	19	19	19	19	D		20	20	20	20	20	20	
	C	10	10	10	10	10	10		C	9	9	9	9	9	9		C	11	11	11	11	11	11		C	4	4	4	4	4	4		C	4	4	4	4	4	4		C	7	7	7	7	7	7
	B	10	10	10	10	10	10		B	21	21	21	21	21	21		B	11	11	11	11	11	11		B	4	4	4	4	4	4		B	3	3	3	3	3	3		B	20	20	20	20	20	20
	A	11	11	11	11	11	11		A	9	9	9	9	9	9		A	21	21	21	21	21	21		A	13	13	13	13	13	13		A	3	3	3	3	3	3		A	7	7	7	7	7	7

spec ref	*	dr	Terran Huang	2010/07/09	projection	size	A4	scale	1:1	
tolerance std	TOLERANCES UNLESS OTHERWISE SPECIFIED	eng	Rahul Mohan-M	2021/04/08		mm	ecn no	ELX-I-40564-1		
ISO 406		chr	-	-				rel level	Released	
ISO 1101		appr	Kuriakose, San	2021/04/15	product family	METRAL		rev		
surface	3.200	near	0.X	±0.3		METRAL SIGNAL HEADER			dwg no	89006
			0.XX	±0.13		1 MOD, 5 ROW PRESS-FIT				
			0.XXX	±.050		cat. no.				
ISO 1302		angular	0°	±2°	www.fci.com	Product - Customer Drw			sheet 5 of 10	

A

B

C

D

A

B

C

D

METRAL P/N	ROW	CONTACT CODE MOD. I					
		1	2	3	4	5	6
89006-X85LF	E	7	7	7	7	7	7
	D	7	7	7	7	7	7
	C	6	6	6	6	6	6
	B	7	7	7	7	7	7
	A	7	7	7	7	7	7

spec ref	*	dr	Terran Huang	2010/07/09	projection	mm	size	A4	scale	1:1
tolerance std	ISO 406 ISO 1101	eng	Rahul Mohan-M	2021/04/08			ecn no	ELX-I-40564-1		
TOLERANCES UNLESS OTHERWISE SPECIFIED		chr	-	-			product family	METRAL		rel level
surface	3.200 ✓ ISO 1302	appr	Kuriakose, San	2021/04/15	METRAL SIGNAL HEADER		rel level	Released		
	linear						dwg no	89006		
	angular						rev	BR		
	0.X ±0.3							www.fci.com		
	0.XX ±0.13							cat. no. -		
	0.XXX ±.050							Product - Customer Drw		
	0° ±2°							sheet 6 of 10		

Creo F119:ELX:MC:AC:REV F, 2020-12-21

METRAL P/N	ROW	CONTACT CODE MOD. I					
		1	2	3	4	5	6
89006-X109LF	E	59	59	59	59	59	59
	D	59	59	59	59	59	59
	C	59	59	59	59	59	59
	B	59	59	59	59	59	59
	A	77	77	77	77	77	77

spec ref	*	dr	Terran Huang	2010/07/09			size	A4	scale	1:1	
tolerance std	TOLERANCES UNLESS OTHERWISE SPECIFIED	eng	Rahul Mohan-M	2021/04/08			ecn no	ELX-I-40564-1			
ISO 406 ISO 1101		chr	-	-			rel level	Released			
surface	3.200	appr	Kuriakose, San	2021/04/15	product family	METRAL					
	near				product name	METRAL SIGNAL HEADER					
	angular				cat. no.	-					
	0.X	±0.3						dwg no	89006	rev	BR
	0.XX	±0.13						Product - Customer Drw	sheet 7 of 10		
	0.XXX	±.050									
	ISO 1302	0°	±2°	www.fci.com							

Creo F114; ELX-MC-ACC; REV F; 2020-12-21

METRAL P/N	ROW	CONTACT CODE MOD. I						METRAL P/N	ROW	CONTACT CODE MOD. I						METRAL P/N	ROW	CONTACT CODE MOD. I						METRAL P/N	ROW	CONTACT CODE MOD. I						METRAL P/N	ROW	CONTACT CODE MOD. I																										
		1	2	3	4	5	6			1	2	3	4	5	6			1	2	3	4	5	6			1	2	3	4	5	6			1	2	3	4	5	6																					
89006-X133LF	E	2	2	2	2	2	89006-X137LF	E	2	2	2	3	3	2	89006-X141LF	E	1	1	1	1	3	3	89006-X145LF	E	5	5	1	1	7	5	89006-X149LF	E	2	2	2	2	2	1	89006-X153LF	E	2	2	2	2	2	2														
	D	2	2	2	2	2		D	2	2	2	3	3	2		D	1	1	1	1	3	3		D	5	5	1	1	7	5		D	2	2	2	2	2	2		D	2	2	2	2	2	2														
	C	2	2	2	2	2		C	2	2	2	3	3	2		C	3	3	3	3	3	3		C	5	5	1	1	7	7		C	2	2	2	2	2	2		C	2	2	2	2	2	2	C	2	2	2	2	2	2							
	B	2	2	2	2	2		B	2	2	2	3	3	2		B	1	1	1	1	3	1		B	5	5	1	1	7	5		B	2	2	2	2	2	2		B	2	2	2	2	2	2	B	2	2	2	2	2	2	B	2	2	2	2	2	2
	A	2	2	1	2	2		2	A	2	2	2	3	3		2	A	1	1	1	1	3		1	A	5	5	1	1	7		5	A	2	2	2	2	2		2	A	4	2	2	2	2	2	A	2	2	2	2	2	2						

spec ref	*	dr	Terran Huang	2010/07/09		size	A4	scale	1:1
tolerance std	TOLERANCES UNLESS OTHERWISE SPECIFIED ISO 406 ISO 1101	eng	Rahul Mohan-M	2021/04/08			mm	ecn no	ELX-I-40564-1
surface		3.200	chr	-					product family METRAL
ISO 1302		near 0.X ±0.3 0.XX ±0.13 0.XXX ±.050 angular 0° ±2°	appr	Kuriakose, San		2021/04/15	METRAL	rev BR	
Amphenol FCI www.fci.com		METRAL SIGNAL HEADER 1 MOD, 5 ROW PRESS-FIT			Product - Customer Drw		sheet 8 of 10		

METRAL P/N	ROW	CONTACT CODE MOD. I					
		1	2	3	4	5	6
89006-X157LF	E	2	2	2	2	2	19
	D	2	2	2	2	2	19
	C	2	2	2	2	2	19
	B	2	2	2	2	2	19
	A	2	2	1	2	2	19

METRAL P/N	ROW	CONTACT CODE MOD. I					
		1	2	3	4	5	6
89006-X158LF	E	19	2	19	2	19	19
	D	19	2	19	2	19	19
	C	19	2	19	2	19	19
	B	19	2	19	2	19	19
	A	19	2	19	2	19	19

METRAL P/N	ROW	CONTACT CODE MOD. I					
		1	2	3	4	5	6
89006-X159LF	E	2	2	2	2	4	19
	D	2	2	2	2	2	19
	C	2	2	2	2	2	19
	B	2	2	2	2	2	19
	A	2	2	1	2	2	19

METRAL P/N	ROW	CONTACT CODE MOD. I					
		1	2	3	4	5	6
89006-X160LF	E	2	2	2	2	2	1
	D	2	2	2	2	2	2
	C	4	4	4	4	4	4
	B	2	2	2	2	2	2
	A	2	2	2	2	2	2



spec ref	*	dr	Terran Huang	2010/07/09	projection 	mm 	size	A4	scale	1:1
tolerance std	TOLERANCES UNLESS OTHERWISE SPECIFIED	eng	Rahul Mohan-M	2021/04/08			ecn no	ELX-I-40564-1		
ISO 406 ISO 1101		chr	-	-			rel level	Released		
surface	3.200	appr	Kuriakose, San	2021/04/15	product family	METRAL	dwg no	89006	rev	BR
ISO 1302	linear	0.X	±0.3	www.fci.com	title	METRAL SIGNAL HEADER 1 MOD, 5 ROW PRESS-FIT	cat. no.	-	Product - Customer Drw	sheet 9 of 10
	0.XX	±0.13								
	0.XXX	±.050								
	angular	0°	±2°							

PRODUCT NUMBER

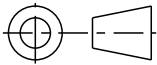

89006-XYLFF

NOTES:

1. MATERIAL : BODY : LCP YL94-V0
: CONTACT : COPPER ALLOY.
2. FOR PLATING PERFORMANCE REFER DRAWING # 10159408
3. ALL PRODUCTS WITH PART NUMBERS SHOWN IN SUBSEQUENT TABLES WILL BE PACKAGED IN TUBES. IF TRAY PACKAGING IS REQUIRED, A SUFFIX "P" WILL BE ADDED TO THE END OF THE PART NUMBER. EXAMPLE: XXXXX-XXXXP
4. PRODUCT SPECIFICATION GS-12-180
APPLICATION SPECIFICATION BUS-20-073
5. AFTER INSERTION INTO CIRCUIT BOARD WITH QUALIFIED TOOL.
6. THE PRODUCTS WHERE THE PART NUMBER ENDS IN LF MEET THE EUROPEAN UNION DIRECTIVES AND OTHER COUNTRY REGULATIONS AS DESCRIBED IN GS-47-0004.

ALL PRODUCTS WILL WITHSTAND EXPOSURE TO 260°C FOR 60 SECONDS IN A CONVECTION, INFRA-RED OR VAPOR PHASE REFLOW OVEN. Au CONTACT SURFACE OF THE CONTACTS SHALL BE EXPOSED TO A MAXIMUM 140°C FOR NO LONGER THAN 15 SECONDS IN A WAVE SOLDER APPLICATION.

7. A  SYMBOL WILL BE NEXT TO ANY DIMENSION, VIEW, OR NOTE WHICH HAS BEEN MODIFIED WITH THE CURRENT DRAWING REVISION.

spec ref *		dr Terran Huang		2010/07/09	projection 	mm 	size A4	scale 1:1
tolerance std ISO 406 ISO 1101		eng Rahul Mohan-M		2021/04/08			ecn no ELX-I-40564-1	
TOLERANCES UNLESS OTHERWISE SPECIFIED		chr -		-			rel level Released	
surface 3.200		appr Kuriakose, San		2021/04/15	product family METRAL		rev	
ISO 1302	linear	0.X	±0.3	Amphenol FCI	title METRAL SIGNAL HEADER 1 MOD, 5 ROW PRESS-FIT		dwg no 89006	rev BR
		0.XX	±0.13					
	0.XXX	±.050						
	angular	0°	±2°	cat. no. -		Product - Customer Drw		sheet 10 of 10

Creo F-114-ELX-FCI-AC-REV F-2020-12-21