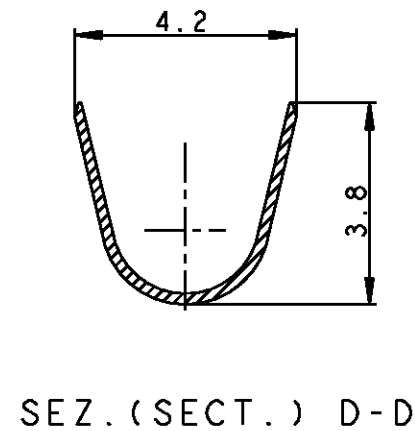
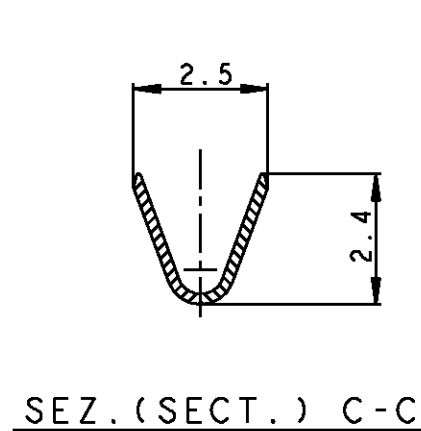
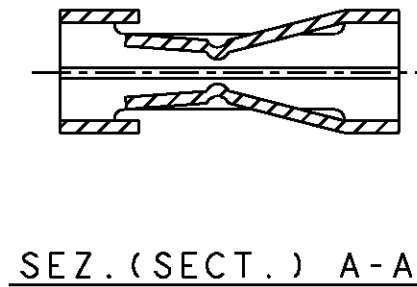
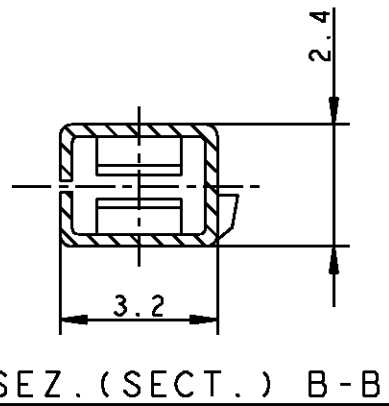
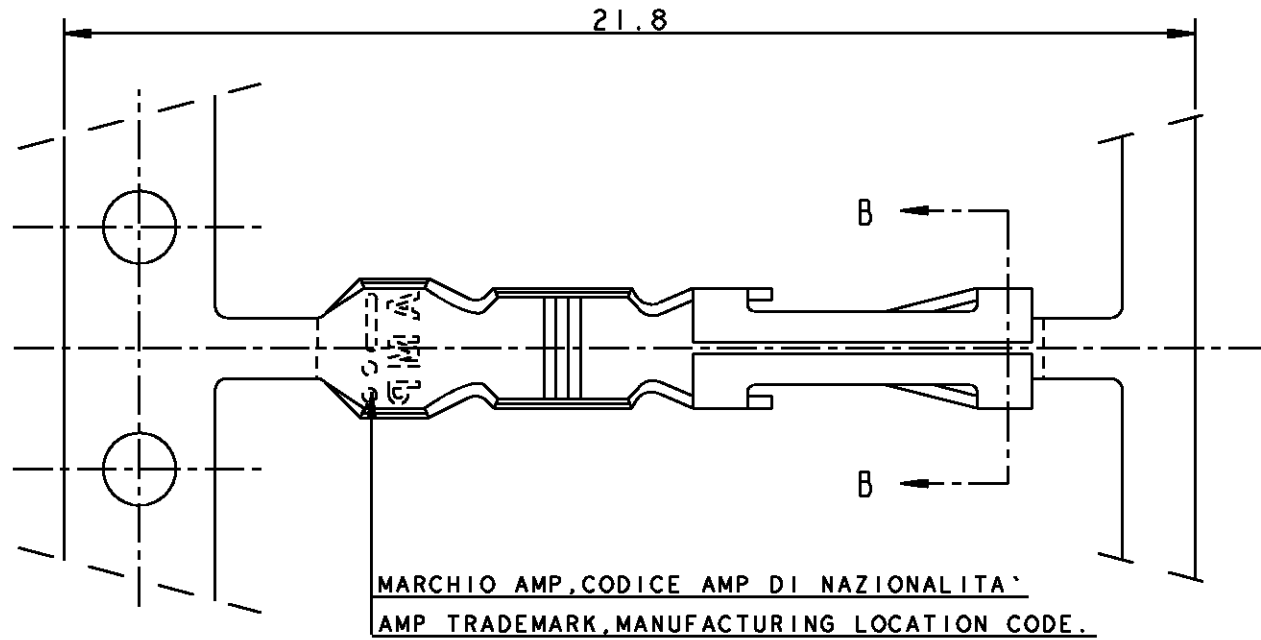
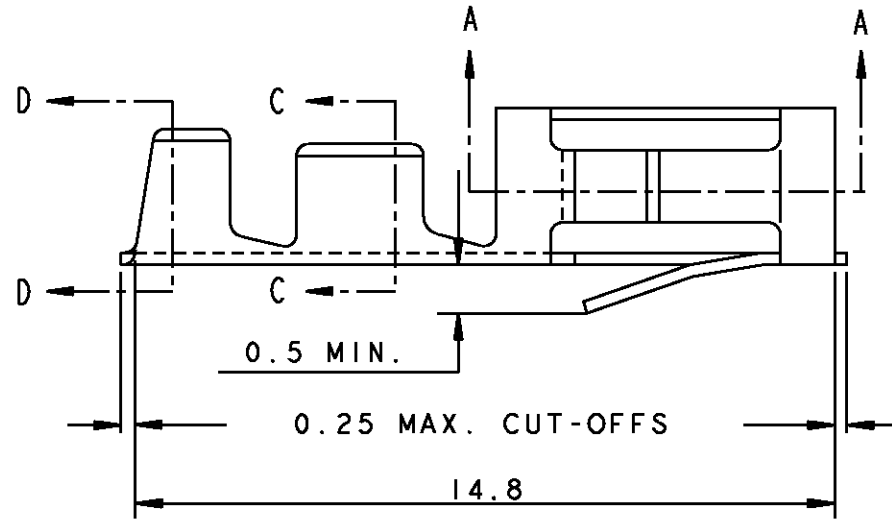


SCALA NON IMPEGNATIVA
(DO NOT SCALE)
DIMENSIONI IN mm
(DIMENSIONS IN IN)

METRIC

PROIEZIONE EUROPEA
(EUROPEAN PROJECTION)



NOTE (NOTES)

- MATERIALE (MATL.): BRONZO FOSFOROSO (PHOSPHOR BRONZE).
- FINITURA (FINISH): STAGNATO 0.8μm ECCETTO LE ZONE TRANCIATE. (TIN PLATED 0.8μm ALL OVER EXCEPT FOR CUTTING EDGES).
- PER MINI-APPLICATORE (FOR MINI-APPLICATOR) P/N 783291-2.

NOTE (NOTES) 1 & 2		-		281423-1	
MATERIALE E FINITURA: (MATL. & FINISH)		LOOSE-PIECE PART NUMBER: NOTA (NOTE) 4		STRIP PART NUMBER: NOTA (NOTE) 3	
CUSTOMER DRAWING FOR REFERENCE ONLY			DISEGNO PER CLIENTE SOLO PER RIFERIMENTO		
THIS DRAWING IS UNPUBLISHED			RELEASE FOR PUBLICATION 19		
© COPYRIGHT 19 BY AMP INCORPORATED, HARRISBURG, PA. ALL INTERNATIONAL RIGHT RESERVED. AMP PRODUCTS MAY BE COVERED BY U.S. AND FOREIGN PATENT AND/OR PATENT PENDING					
TOLLERANZE: SE NON DIVERSAMENTE SPECIFICATO (TOLERANCES: UNLESS OTHERWISE SPECIFIED)			DIAM. ISOLANTE (INS. DIA. RANGE)		SCALA (SCALE)
± 0.3			2.2-2.8 MM		-
ANGOLI (ANGLES)			RANGO FILO (WIRE RANGE)		
± 2°			0.5-1.0 MM ² (20-17 AWG)		
H REDRAWN - REACTIVATED C.C. 10 08			AMP ITALIA S.r.l. Corso F.lli Cervi, 15 COLLEGNO (TORINO)		
D AGGIUNTI MARCHI (TRADEMARK ADDED) C.C. 7-91			DESCRIZIONE (DESCRIPTION)		
C AGGIORNATO (REVISED) G.C. 1/90			AMP MODULO REC. CONTACT, HIGH PRESSURE, C.O.S.I.		
B AGGIORNATO E RIDISEGNATO (REVISED & REDRAWN) G.C. 5/89			LOC. SIZE NUMERO (DWG NO)		REV. FOGLIO (SHEET)
REV. REVISIONI (REVISION RECORD)			1 A3 C - 281423		H 1 OF 1
DIS. DATA (DR) (DATE)					

DISTRIBUZIONE
(PRINT DIST.)